

Data sheet

Commercial Art.No.: 92.258.5000.2

Cable assembly GST18i5KSBS 25 50WS

GST18i5 connection cable female - male, length 5.0 m, 5 pole, coding mains 250 V/ 400 V, 20 A, coding color white, strain relief color white, cable color white, cross section 2.5 mm², cable type H05VV-F, fire class: Eca



| | |
|--------------------|---------------|
| Commercial Art.No. | 92.258.5000.2 |
| EAN | 4015573366268 |
| Order Unit | 1 |

Certificates / Approvals



Technical data

General

| | |
|--|----------------------------------|
| Rated current | 20 A |
| Rated voltage | 250 V / 400 V |
| Rated impulse voltage | 4 kV |
| Pollution degree | 2 |
| Mechanical coding | Code 1 |
| Lockable | self-locking (unlocking by tool) |
| Color of coding/ contact carrier | white |
| Marking of poles | 3, N, PE, 2, 1 |
| Color of housing inclusive strain relief | white |

Model

| | |
|---------------------------------|---------------------|
| Nominal cross section conductor | 2.5 mm ² |
| Degree of protection (IP) | IP20 |
| Cable type | H05VV-F |
| Cable color | white |
| Cable diameter max. | 12.1 mm |
| Version of cable | female - male |
| Type of cord set | connecting cable |
| Version cable end 1 | GST18i5 female |
| Version cable end 2 | GST18i5 plug |

Material

| | |
|----------------|------------|
| Surface finish | Tin-plated |
|----------------|------------|

| | |
|--|-----------|
| halogen free | No |
| Continuous temperature of cable | 70 °C |
| Insulation components continuous temperature | 100 °C |
| Fire load | 4.364 kWh |
| Fire class | Eca |

Dimensions

| | |
|--------------|-----|
| Total length | 5 m |
|--------------|-----|

Classification

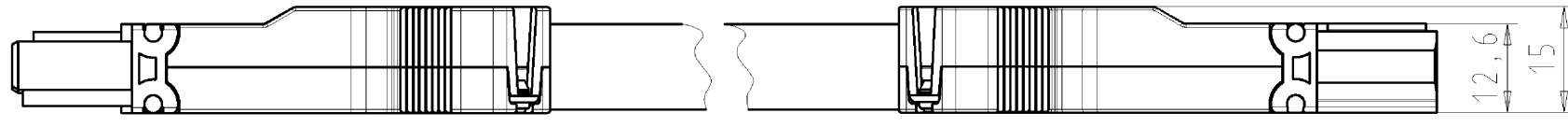
| | |
|------------|----------|
| ECLASS 11 | |
| ECLASS 8.1 | 27440604 |
| ETIM 7.0 | EC002587 |
| ETIM 6.0 | EC002587 |
| ETIM 5.0 | EC002587 |
| ETIM 4.0 | EC002587 |

Product compliance

| | |
|------------------------------|--------------------|
| ROHS conformity status | Compliant/Exempted |
| ROHS exceptions | III-6(c) |
| REACH-SVHC conformity status | Duty-To-Declare |
| REACH-SVHC substances | Lead |
| REACH-SVHC CAS numbers | 7439-92-1 |

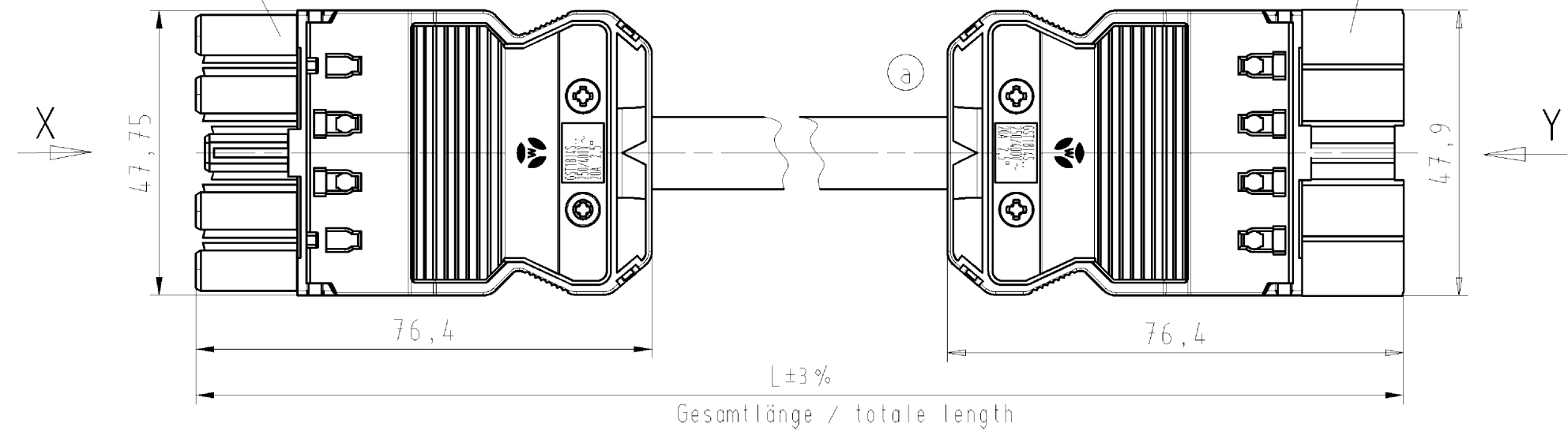
Accessories

| Commercial Art.No.: | Article-type description: | Description: |
|---------------------|---------------------------|---|
| 05.587.3156.0 | Lock (G)ST18 WS | Locking device for cable to cable connection GST18i3-5, white |
| 05.564.5353.0 | cover cap GST18i3/4/5 SW | Cover piece 12 pole black for female parts GST18i3-6 |
| 05.564.5353.2 | cover cap GST18i3/4/5 WS | Cover piece 12 pole white for female parts GST18i3-6 |
| 05.566.9253.0 | cover cap GST18i5 BUCHSEN | Cover for female connectors GST18i5, black |
| 05.587.3156.1 | Lock (G)ST18 SW | Locking device for cable to cable connection GST18i3-5, black |



Buchsentteil/female connector Steckerteil/male connector

Kabel/cable H05VV-F 5G2,5
Farbe/colour: siehe Tabelle/see table



| Pol/pole | Aderfarben/colour of core |
|----------|---------------------------|
| 1 | braun/brown |
| 2 | schwarz/black |
| 3 | grau/grey |
| N | blau/blue |
| ⊕ | grün-gelb/green-yellow |

| .F | Farbe colour | Codierung "X" Buchse female | Codierung "Y" Stecker male | Kabelfarbe cable colour |
|----|------------------|--------------------------------------|-------------------------------------|----------------------------|
| .1 | schwarz black | 3 N PE 2 1 | 1 2 PE N 3 | schwarz black |
| .2 | weiß white | | | weiß white |

Weitere Daten siehe Katalog
further data see catalog

| Teile-Nr. part-no. | L | Beispiel (Farbe: schwarz) example (colour: black) | Typ type |
|-----------------------|--------------------|--|----------------------|
| 92.258.XX00.F | XX in dm-Schritten | 92.258.1000.1 = 10dm/L= 1000mm | GST1815KSBS 25 10SW |
| U2.258.XX00.F | XX in m-Schritten | U2.258.1200.1 = 12 m/L=12000mm | GST1815KSBS 25 X12SW |

Tolerierung Size ISO 14405/Tolerance system Size ISO 14405.
(This ISO-standard describes the envelope principle. According to the envelope principle the deviations of form and parallelism are limited by the size tolerances).

Freitoleranz nach DIN ISO 2768 - m CAD - Zeichnung, keine manuellen Änderungen
General tolerance CAD - drawing, no manual modifications allowed

1. Verwendung: - Blatt: 1 von 1
First Use: Sheet: of

| | | | | | | | | | |
|---|---------------|--------------------|--------|-----------------|------------------------|------|---------------------------------|-------------------------------|-------|
| / | | Werkstoff/Material | | 2006 | Tag/Date | Name | T | Zeichnung Nr./Drawing No. | Index |
| | | gezeichnet/drawn | 06.09. | Dütsch T. | | | | | |
| / | Maßstab/Scale | % | | geprüft/checked | - | - | Maße in mm/Dimensions are in mm | | |
| / | | Vol. mm³ | | Ofl./Surf. mm² | Normgepr. Stand. check | - | - | Ersatz für/Replacement for: - | |

| | | | | | |
|-------------------|-------------------------------|-------------------------------|--|--|--|
| / | / | Type | | Benennung/Tittle | |
| a | 25.10.2012/ | wieland | | INSTALL. COUPLER | |
| Index | Datum / Blatt Date / Sheet | Elektrische Verbindungen | | KONFEKT_LEITUNG | |
| Änderung/Revision | | GST1815 KSBS 25.. SW/WS | | BU/female-ST/male, Schraubanschl./screw connection 250/400V AC, 20A, 2,5qmm | |

These dimensions will be especially checked at delivery
Only inspection dimensions
With /E marked dimensions are only valid for internal use

Diese Maße werden bei Abnahme besonders geprüft
Ausschließlich Prüfmaße
Mit /E gekennzeichnete Maße sind nur für interne Zwecke gültig

Weitergabe sowie Vervielfältigung dieses Dokuments, Verwertung und Mitteilung seines Inhalts sind verboten, soweit nicht ausdrücklich gestattet.
The reproduction, distribution and utilization of this document as well as the communication of its contents to others without express authorization is prohibited.

922580500101K_2 CADW2036_treschan 2012-10-31T13:57:52 1.000