

Data sheet

Commercial Art.No.: 91.932.9053.0

Device connector GST15I3S S1 R WS

Device connectors, snap-in panel mount, GST15I3, 3 pole, male, screw connection, 250V/16A, material thickness 0,5 - 1,5 mm, color of coding: white, color of frame: white



Commercial Art.No.	91.932.9053.0
EAN	4015573833852
Order Unit	1

Certificates / Approvals



Technical data

General

Rated current	16 A
Rated voltage	250 V
Pollution degree	2
Mechanical coding	Code 1
Rated impulse voltage	4 kV
Lockable	self-locking (unlocking by tool)
Color of coding/ contact carrier	white
Marking of poles	L, N, PE
Color of separate adapter (if present)	white

Connection Data

Connection cross section solid mm ² max.	2.5 mm ²
Connection cross section solid mm ² min.	0.5 mm ²
Connection cross section fine stranded mm ² max.	2.5 mm ²
Connection cross section fine stranded mm ² min.	0.5 mm ²
Terminations per pole	1
Wire strip length	8 mm

Model

Model	male
Connection type	screw connection
Angle of plug	straight
Degree of protection (IP)	IP20
Thickness of housings (electrical device) 2	0.5 mm

Thickness of housings (electrical device)	1.5 mm
built-in component	snap-in

Material

Housing material	Polyamide
halogen free	yes
Contact material	CuZn
Fire load	0.036 kWh
Insulation components continuous temperature	100 °C
Surface finish	Silver-plated

Dimensions

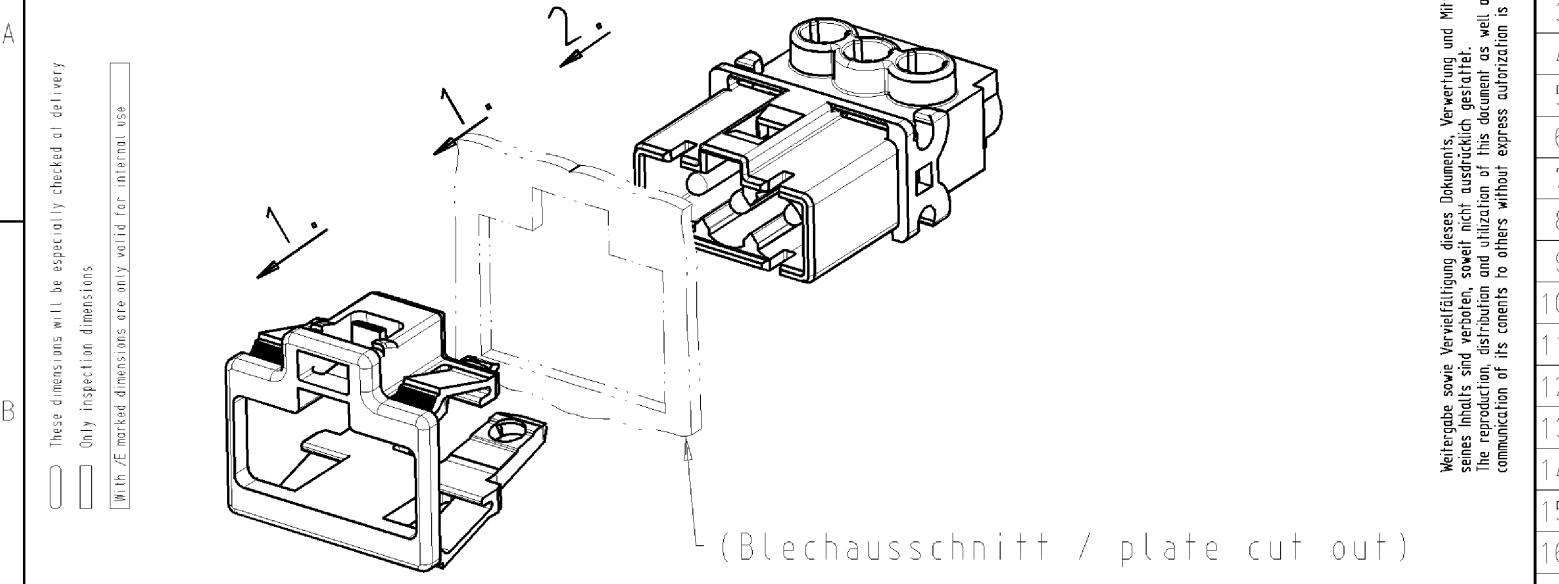
Length	30.2 mm
Width	22 mm
Height	19.6 mm

Classification

ECLASS 11	
ECLASS 8.1	27440602
ETIM 7.0	EC002566
ETIM 6.0	EC002566
ETIM 5.0	EC002566
ETIM 4.0	EC002566

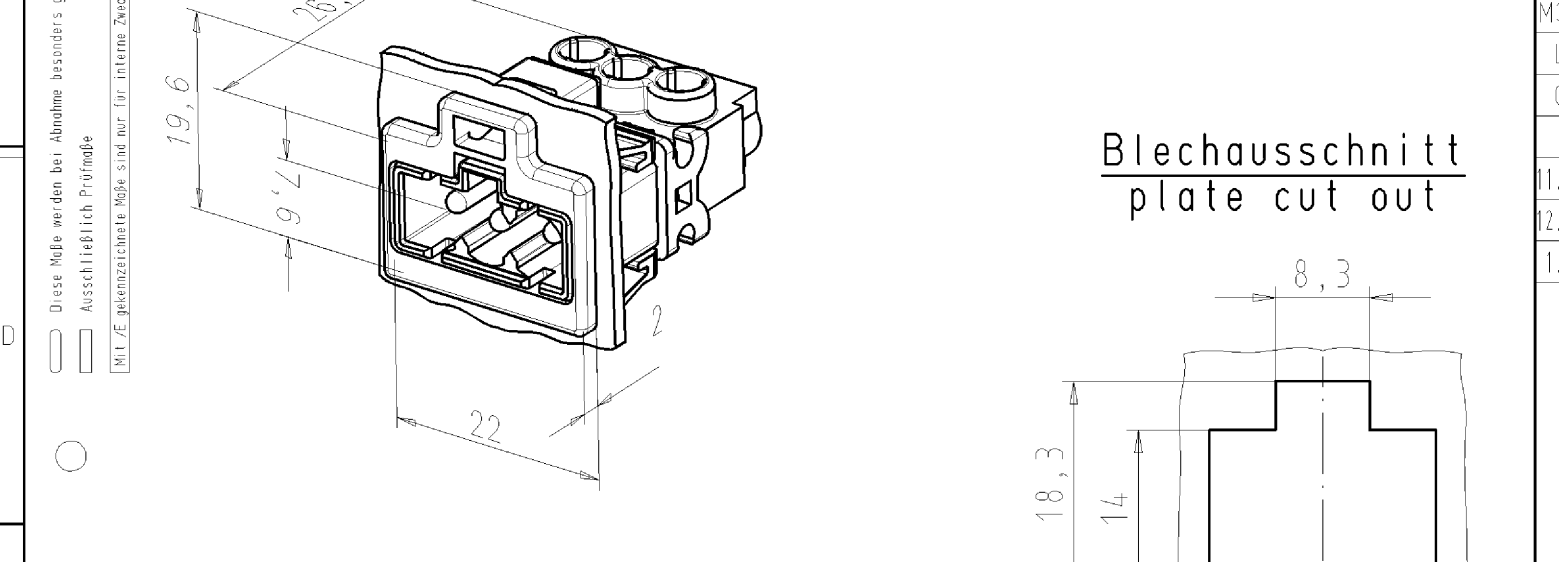
Product compliance

ROHS conformity status	Compliant/Exempted
ROHS exceptions	III-6(c)
REACH-SVHC conformity status	Duty-To-Declare
REACH-SVHC substances	Lead
REACH-SVHC CAS numbers	7439-92-1



(Blechausschnitt / plate cut out)

a) montierter Zustand
assembled condition
(kein Auslieferungszustand)
(no delivery condition)



Teile-Nr. part no.	Farbe: colour:
91.932.9053.0 91.932.9053.1	weiß, ähnl. / white similar RAL 9003 schwarz, ähnl. / black similar RAL 9005

Zulässige Abweichungen nach DIN 7167/Permissible deviations acc. to DIN 7167.
(This DIN-standard describes the envelope principle. According to the envelope principle the deviations of form and parallelism are limited by the size tolerances).

ja/yes Stoffverbots- und Deklarationsliste nach UU-TQM-05/03 ist einzuhalten.
Conformity with Wieland document UU-TQM-05/03 (list of prohibited / declarable hazardous substances) to be declared!

Freitoleranz nach General tolerance	CAD - Zeichnung, keine manuellen Änderungen CAD - drawing, no manual modifications allowed	1.Verwendung: First Use:	Blatt: 1 von 1 Sheet: 1 of 1
----------------------------------------	-----------------------------------------------------------------------------------------------	-----------------------------	---------------------------------

	/		Werkstoff/Material	2005	Tag/Date	Name	Zeichnung Nr./Drawing No.	Index
	/		Farbe: siehe Tabelle colour: see table	gezeichnet drawn	15.07.	Hennemann V.	T 91.932.9053.0 01K a	
	/	Maßstab/Scale		geprüft checked	-	-	Maße in mm/Dimensions are in mm	
	/	%		Normgepr. Stand. check	-	-		
	/	Vol.	mm ³ Offl./Surf.	mm ²	Ersatz für/Replacement for: -			
	/		wieland	Type	Benennung/Tittle			
a	08.12.2005/			STECKERT_SNAP_IN				
Index	Datum / Blatt Date / Sheet		Elektrische Verbindungen	male connector snap in GST1513SS1 R ..				
Änderung/Revision								

Weitergabe sowie Vervielfältigung dieses Dokuments, Verwertung und Mitteilung seines Inhalts sind verboten, soweit nicht ausdrücklich gestattet. Die Reproduktion, Distribution und Utilization of this document as well as the communication of its contents to others without express authorization is prohibited.