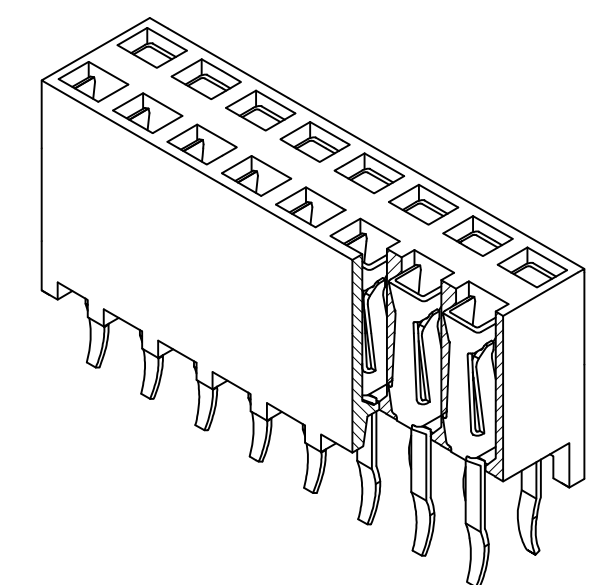
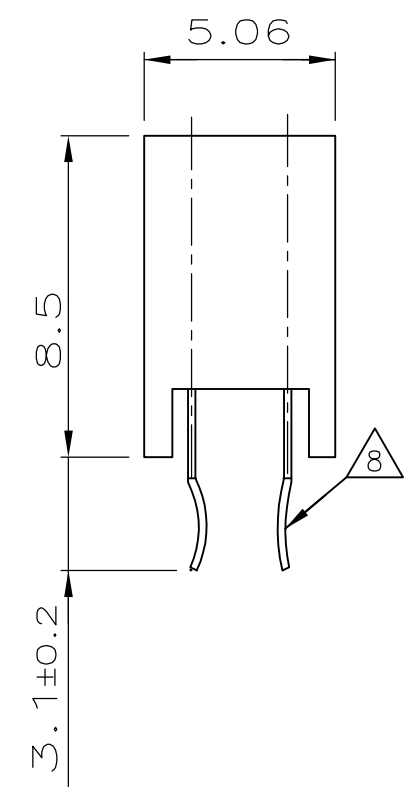
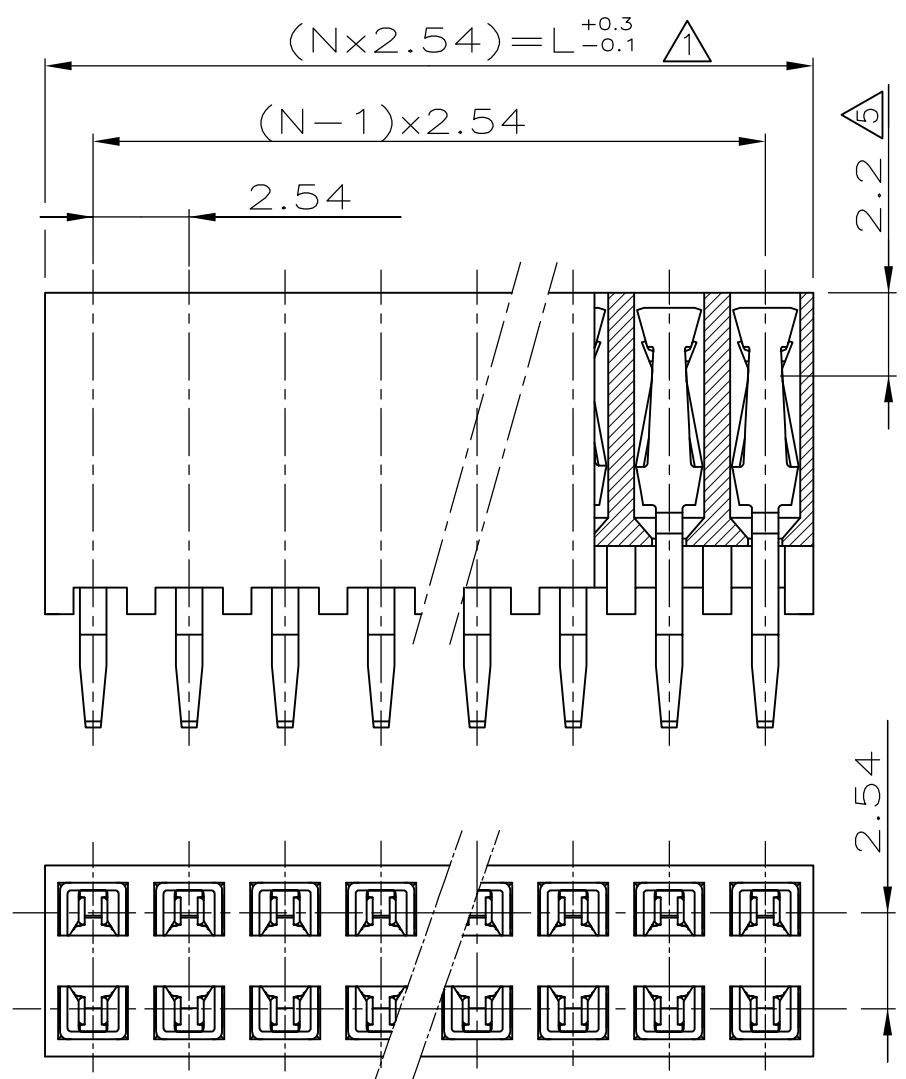
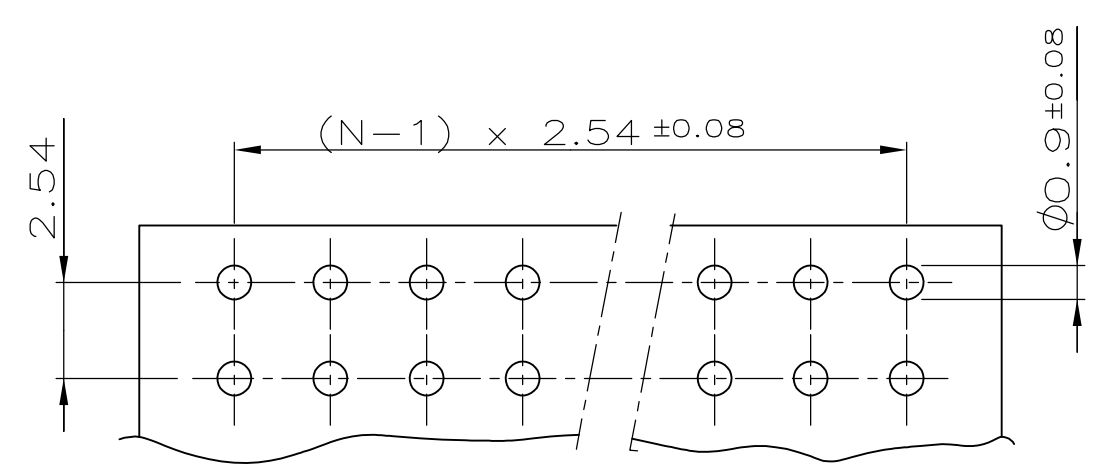


POS. PER ROW 'N'	L	PART NUMBER
2	5.08	215309-2
3	7.62	-3
4	10.16	-4
5	12.70	-5
6	15.24	-6
7	17.78	-7
8	20.32	-8
9	22.86	-9
10	25.40	1-0
11	27.94	1-1
12	30.48	1-2
13	33.02	1-3
14	35.56	1-4
15	38.10	1-5
16	40.64	1-6
17	43.18	1-7
18	45.72	1-8
19	48.26	1-9
20	50.80	2-0
21	53.34	2-1
22	55.88	2-2
23	58.42	2-3
24	60.96	2-4
25	63.50	2-5
26	66.04	2-6
27	68.58	2-7
28	71.12	2-8
29	73.66	2-9
30	76.20	3-0
31	78.74	3-1
32	81.28	3-2
33	83.82	3-3
34	86.36	3-4
35	88.90	3-5
36	91.44	3-215309-6



- NOTES:
- 1 TO DETERMINE DIMENSIONS TAKE 2xN = NR. OF POS. FOR EXAMPLE: 2x10 POS.: N x 2,54 = 25,4 mm. FOR ORDER NR. USE BASIC NR. + NR. OF POS. FOR EXAMPLE: 2x2 POS.= 215 309-2 (SHORTEST VERSION) 2x36 POS.= 3-215 309-6 (LONGEST VERSION)
 - 2. HOUSING MATERIAL: GREEN GLASSFILLED POLYESTER, UL 94V-0 CONTACT MATERIAL: PHOSPHOR BRONZE.
 - 3. PLATING: UNDERCOATING: 1,3µm Ni. AT CONT.PLACE: 0,8µm Au. AT SOLDER-TYNES:MIN. 2,5µm Sn.
 - 4. MATES WITH 0,63 SQUARE/ROUND MODU POSTS.
 - 5 CONTACT-POINT.
 - 6. RECOMMENDED P.C.BOARD-THICKNESS: 1,6.
 - 8 RETENTION FEATURE.
 - 9. HV100 CONNECTOR PACKED IN ANTISTATIC BLISTER
 - 10 OBSOLETE PARTS: OBSOLETE CIS STREAMLINING PER D.RENAUD/D.SINISI
 - 11 OBSOLETE



P.C.-BOARD HOLE-PATTERN

THIS DRAWING IS A CONTROLLED DOCUMENT.		DWN L.V.D.HEYDEN 09.07.86	TE Connectivity				
DIMENSIONS: mm		CHK W.SIMONS				NAME	
TOLERANCES UNLESS OTHERWISE SPECIFIED: ±0.15		APVD L.v.SOEST	108-19056				
0 PLC ± - 1 PLC ± - 2 PLC ± - 3 PLC ± - 4 PLC ± - ANGLES ± -		PRODUCT SPEC	HV 100 VERTICAL CONNECTOR DUAL ROW, 8,5mm HEIGHT, TOP ENTRY, GOLD, MAX. 2X36 POSITIONS				
MATERIAL SEE NOTES		FINISH SEE NOTES	APPLICATION SPEC	SIZE A3	CAGE CODE 00779	DRAWING NO C-215309	RESTRICTED TO
CUSTOMER DRAWING		SCALE 5:1		SHEET 1 OF 1		REV E	