



LC72130, 72130M

AM/FM PLL Frequency Synthesizer



Overview

The LC72130 and LC72130M are PLL frequency synthesizers for use in tuners in radio cassette recorders and other products.

Applications

PLL frequency synthesizer

Functions

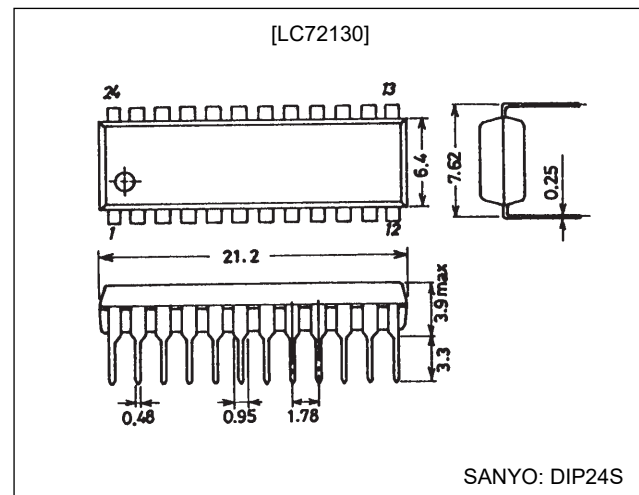
- High-speed programmable dividers
 - FMIN: 10 to 160 MHzpulse swallower (built-in divide-by-two prescaler)
 - AMIN: 2 to 40 MHzpulse swallower
 - 0.5 to 10 MHzdirect division
- IF counter
 - IFIN: 0.4 to 12 MHzAM/FM IF counter
- Reference frequencies
 - Twelve selectable frequencies (4.5 or 7.2 MHz crystal)
 - 1, 3, 5, 9, 10, 3.125, 6.25, 12.5, 15, 25, 50 and 100 kHz
- Phase comparator
 - Dead zone control
 - Unlock detection
 - Deadlock clear circuit
- Built-in MOS transistor for implementing an active low-pass filter (two systems)
- Inputs and outputs
 - Dedicated output ports: five pins
 - Input or output ports: two pins
 - Clock time base output available
- Serial data I/O
 - Supports CCB format communication with the system controller.
- Operating ranges
 - Supply voltage.....4.5 to 5.5 V
 - Operating temperature.....-40 to +85°C
- Packages
 - DIP24S, MFP24S

- CCB is a trademark of SANYO ELECTRIC CO., LTD.
- CCB is SANYO's original bus format and all the bus addresses are controlled by SANYO.

Package Dimensions

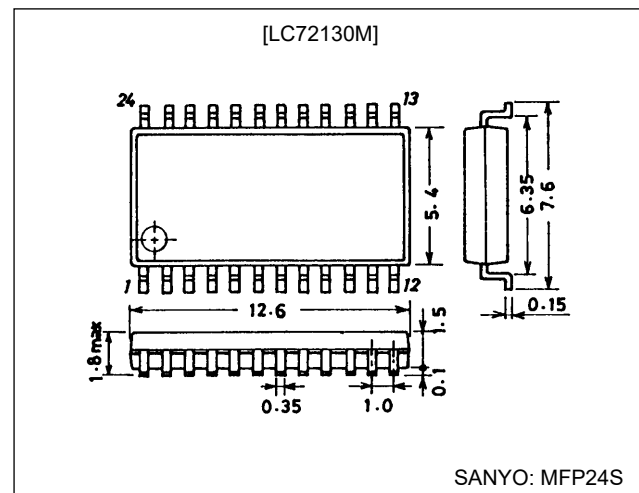
unit: mm

3067-DIP24S



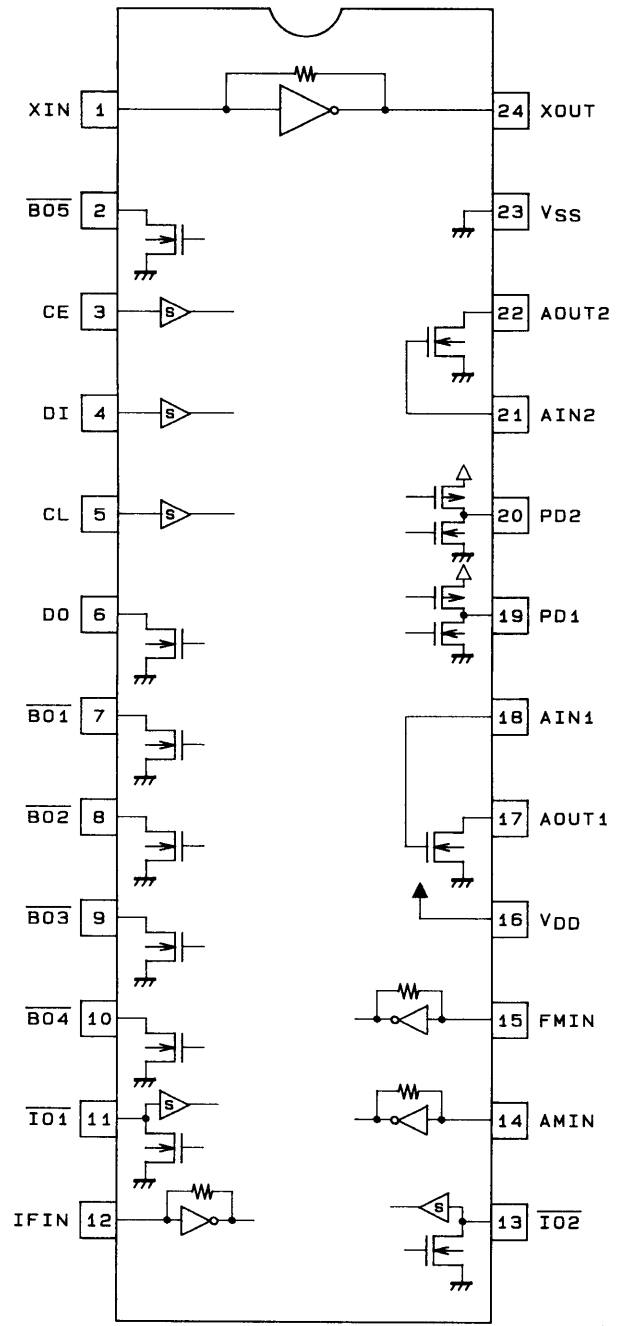
unit: mm

3112-MFP24S



LC72130, 72130M

Pin Assignment

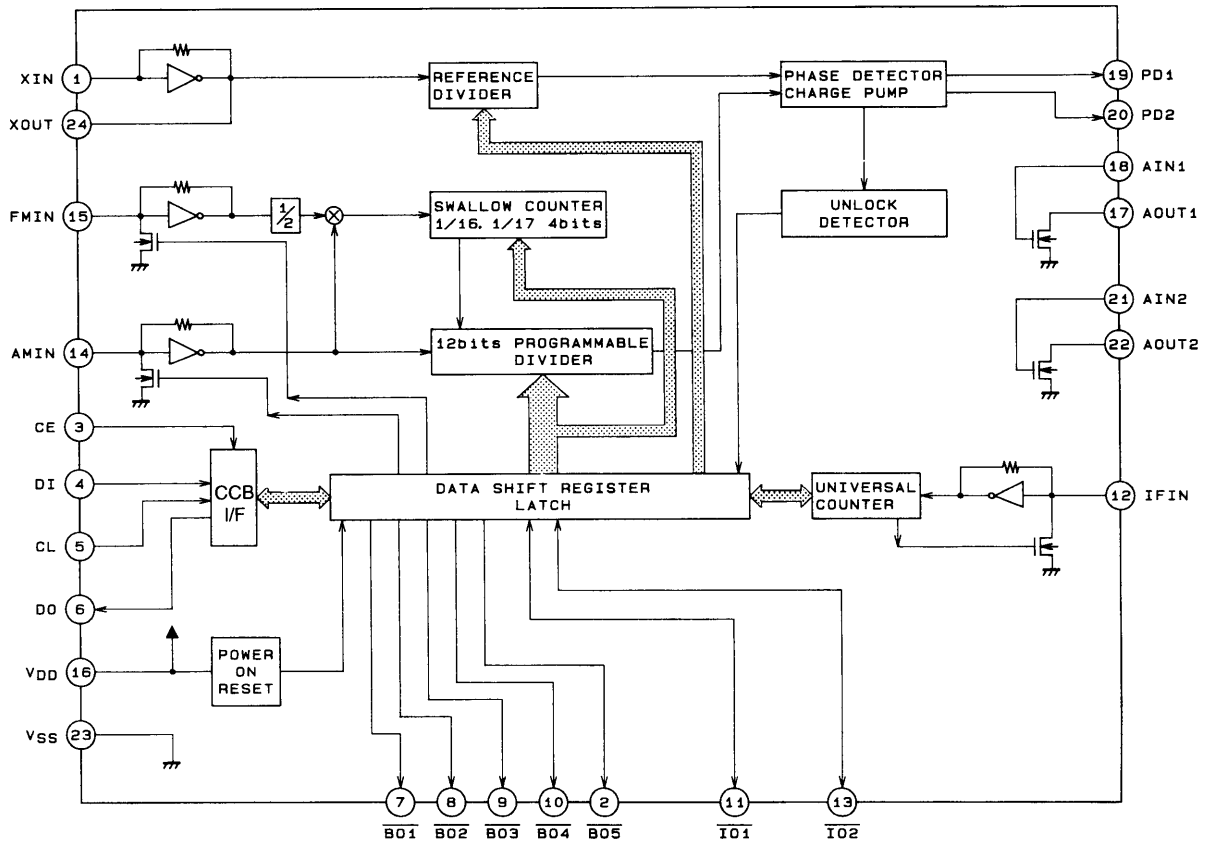


Top view

A03481

LC72130, 72130M

Block Diagram



A03462

LC72130, 72130M

Specifications

Absolute Maximum Ratings at Ta = 25°C, V_{SS} = 0 V

Parameter	Symbol	Pins	Ratings	Unit
Maximum supply voltage	V _{DD} max	V _{DD}	-0.3 to +7.0	V
Maximum input voltage	V _{IN1} max	CE, CL, DI, AIN1, AIN2	-0.3 to +7.0	V
	V _{IN2} max	XIN, FMIN, AMIN, IFIN	-0.3 to V _{DD} + 0.3	V
	V _{IN3} max	$\overline{IO1}$, $\overline{IO2}$	-0.3 to +15	V
Maximum output voltage	V _{O1} max	DO	-0.3 to +7.0	V
	V _{O2} max	XOUT, PD1, PD2	-0.3 to V _{DD} + 0.3	V
	V _{O3} max	$\overline{BO1}$ to $\overline{BO5}$, $\overline{IO1}$, $\overline{IO2}$, AOUT1, AOUT2	-0.3 to +15	V
Maximum output current	I _{O1} max	$\overline{BO1}$	0 to 3.0	mA
	I _{O2} max	DO, AOUT1, AOUT2	0 to 6.0	mA
	I _{O3} max	$\overline{BO2}$ to $\overline{BO5}$, $\overline{IO1}$, $\overline{IO2}$	0 to 10.0	mA
Allowable power dissipation	Pd max	Ta ≤ 85°C	DIP24S: 350 MFP24S: 200	mW
Operating temperature	Topr		-40 to +85	°C
Storage temperature	Tstg		-55 to +125	°C

Parameter	Symbol	Pins	Conditions	min	typ	max	Unit
Supply voltage	V _{DD}	V _{DD}		4.5		5.5	V
Input high level voltage	V _{IH1}	CE, CL, DI		0.7 V _{DD}		6.5	V
	V _{IH2}	$\overline{IO1}$, $\overline{IO2}$		0.7 V _{DD}		13	V
Input low level voltage	V _{IL}	CE, CL, DI, $\overline{IO1}$, $\overline{IO2}$		0		0.3 V _{DD}	V
Output voltage	V _{O1}	DO		0		6.5	V
	V _{O2}	$\overline{BO1}$ to $\overline{BO5}$, $\overline{IO1}$, $\overline{IO2}$, AOUT1, AOUT2		0		13	V
Input frequency	f _{IN1}	XIN	V _{IN1}	1		8	MHz
	f _{IN2}	FMIN	V _{IN2}	10		160	MHz
	f _{IN3}	AMIN	V _{IN3} , SNS = 1	2		40	MHz
	f _{IN4}	AMIN	V _{IN4} , SNS = 0	0.5		10	MHz
	f _{IN5}	IFIN	V _{IN5}	0.4		12	MHz
Input amplitude	V _{IN1}	XIN	f _{IN1}	400		1500	mVrms
	V _{IN2-1}	FMIN	f = 10 to 130 MHz	40		1500	mVrms
	V _{IN2-2}	FMIN	f = 130 to 160 MHz	70		1500	mVrms
	V _{IN3}	AMIN	f _{IN3} , SNS = 1	40		1500	mVrms
	V _{IN4}	AMIN	f _{IN4} , SNS = 0	40		1500	mVrms
	V _{IN5}	IFIN	f _{IN5} , IFS = 1	40		1500	mVrms
	V _{IN6}	IFIN	f _{IN6} , IFS = 0	70		1500	mVrms
Oscillation-guaranteed crystal resonator	Xtal	XIN, XOUT	*	4.0		8.0	MHz

Allowable Operating Ranges at Ta = -40 to +85°C, V_{SS} = 0 V

Note: * Recommended crystal oscillator CI values:

CI ≤ 120Ω (For a 4.5 MHz crystal)

CI ≤ 70Ω (For a 7.2 MHz crystal)

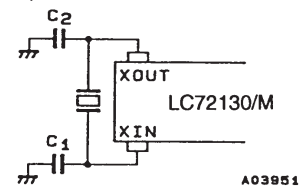
However, since the oscillator circuit characteristics depend on the printed circuit board and component values actually used, we recommend requesting a circuit evaluation from the manufacturer of the crystal used.

<Sample Oscillator Circuit>

Crystal oscillator: HC-49/U (manufactured by Kinseki, Ltd.), CL = 12 pF

C1 = C2 = 15 pF

The circuit constants for the crystal oscillator circuit depend on the crystal used, the printed circuit board pattern, and other items. Therefore we recommend consulting with the manufacturer of the crystal for evaluation and reliability.



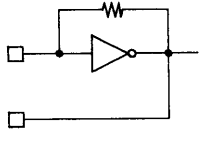
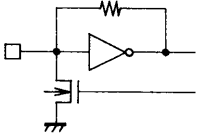
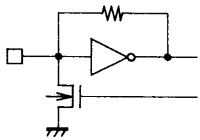
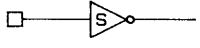
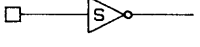
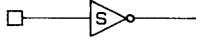
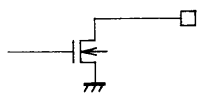
LC72130, 72130M

Electrical Characteristics at Ta = -40 to +85°C, V_{SS} = 0 V

Parameter	Symbol	Pins	Conditions	min	typ	max	Unit
Built-in feedback resistance	Rf1	XIN			1.0		MΩ
	Rf2	FMIN			500		kΩ
	Rf3	AMIN			500		kΩ
	Rf4	IFIN			250		kΩ
Built-in pull-down resistor	Rpd1	FMIN			200		kΩ
	Rpd2	AMIN			200		kΩ
Hysteresis	V _{HIS}	CE, CL, DI, $\overline{IO1}$, $\overline{IO2}$			0.1 V _{DD}		V
Output high level voltage	V _{OH1}	PD1, PD2	IO = -1 mA	V _{DD} - 1.0			V
Output low level voltage	V _{OL1}	PD1, PD2	IO = 1 mA			1.0	V
	V _{OL2}	$\overline{BO1}$	IO = 0.5 mA			0.5	V
			IO = 1 mA			1.0	V
	V _{OL3}	DO	IO = 1 mA			0.2	V
			IO = 5 mA			1.0	V
	V _{OL4}	$\overline{BO2}$ to $\overline{BO5}$, $\overline{IO1}$, $\overline{IO2}$	IO = 1 mA			0.2	V
IO = 5 mA					1.0	V	
IO = 8 mA					1.6	V	
V _{OL5}	AOUT1, AOUT2	IO = 1 mA, AIN = 1.3 V			0.5	V	
Input high level current	I _{IH1}	CE, CL, DI	V _I = 6.5 V			5.0	V
	I _{IH2}	$\overline{IO1}$, $\overline{IO2}$	V _I = 13 V			5.0	μA
	I _{IH3}	XIN	V _I = V _{DD}	2.0		11	μA
	I _{IH4}	FMIN, AMIN	V _I = V _{DD}	4.0		22	μA
	I _{IH5}	IFIN	V _I = V _{DD}	8.0		44	μA
	I _{IH6}	AIN1, AIN2	V _I = 6.5 V			200	nA
Input low level current	I _{IL1}	CE, CL, DI	V _I = 0 V			5.0	μA
	I _{IL2}	$\overline{IO1}$, $\overline{IO2}$	V _I = 0 V			5.0	μA
	I _{IL3}	XIN	V _I = 0 V	2.0		11	μA
	I _{IL4}	FMIN, AMIN	V _I = 0 V	4.0		22	μA
	I _{IL5}	IFIN	V _I = 0 V	8.0		44	μA
	I _{IL6}	AIN1, AIN2	V _I = 0 V			200	nA
Output off leakage current	I _{OFF1}	$\overline{BO1}$ to $\overline{BO5}$, AOUT1, AOUT2, $\overline{IO1}$, $\overline{IO2}$	V _O = 13 V			5.0	μA
	I _{OFF2}	DO	V _O = 6.5 V			5.0	μA
High level three-state off leakage current	I _{OFFH}	PD1, PD2,	V _O = V _{DD}		0.01	200	nA
Low level three-state off leakage current	I _{OFFL}	PD1, PD2	V _O = 0 V		0.01	200	nA
Input capacitance	C _{IN}	FMIN			6		pF
Current drain	I _{DD1}	V _{DD}	Xtal = 7.2 MHz, f _{IN2} = 130 MHz, V _{IN2-1} = 40 mVrms		5	10	mA
	I _{DD2}	V _{DD}	PLL block stopped (PLL INHIBIT), Xtal oscillator operating (Xtal = 7.2 MHz)		0.5		mA
	I _{DD3}	V _{DD}	PLL block stopped Xtal oscillator stopped			10	μA

LC72130, 72130M

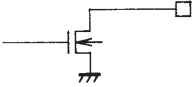
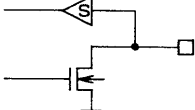
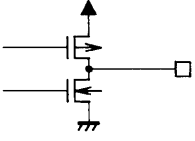
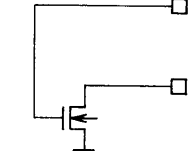
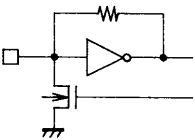
Pin Functions

Symbol	Pin No.	Type	Functions	Circuit configuration
XIN XOUT	1 24	X'tal OSC	<ul style="list-style-type: none"> Crystal resonator connection (4.5/7.2 MHz) 	 <p style="text-align: right;">A02598</p>
FMIN	15	Local oscillator signal input	<ul style="list-style-type: none"> Serial data input: FMIN is selected when DVS is set to 1. The input frequency range is from 10 to 160 MHz. The signal is passed through a built-in divide-by-two prescaler and then supplied to the swallow counter. Although the range of divisor settings is from 272 to 65,535, the actual divisor is twice the setting since there is also a built-in divide-by-two prescaler. 	 <p style="text-align: right;">A02599</p>
AMIN	14	Local oscillator signal input	<ul style="list-style-type: none"> Serial data input: AMIN is selected when DVS is set to 0. Serial data input: When SNS is set to 1: <ul style="list-style-type: none"> The input frequency range is from 2 to 40 MHz. The signal is supplied directly to the swallow counter. The range of divisor settings is from 272 to 65,535 and the actual divisor will be the value set. Serial data input: When SNS is set to 0: <ul style="list-style-type: none"> The input frequency range is from 0.5 to 10 MHz. The signal is supplied directly to a 12-bit programmable divider. The range of divisor settings is from 4 to 4,095 and the actual divisor will be the value set. 	 <p style="text-align: right;">A02599</p>
CE	3	Chip enable	<ul style="list-style-type: none"> Must be set high when serial data is input to the LC72130 (DI), or when serial data is output (DO). 	 <p style="text-align: right;">A02600</p>
CL	5	Clock	<ul style="list-style-type: none"> Used as the synchronization clock when serial data is input to the LC72130 (DI), or when serial data is output (DO). 	 <p style="text-align: right;">A02600</p>
DI	4	Data input	<ul style="list-style-type: none"> Inputs serial data sent from the controller to the LC72130. 	 <p style="text-align: right;">A02600</p>
DO	6	Data output	<ul style="list-style-type: none"> Outputs serial data sent from the LC72130 to the controller. The content of the output data is determined by the serial data DOC0 to DOC2. 	 <p style="text-align: right;">A02601</p>
V _{DD}	16	Power supply	<ul style="list-style-type: none"> The LC72130 power supply (V_{DD} = 4.5 to 5.5 V) The power on reset circuit operates when power is first applied. 	-

Continued on next page.

LC72130, 72130M

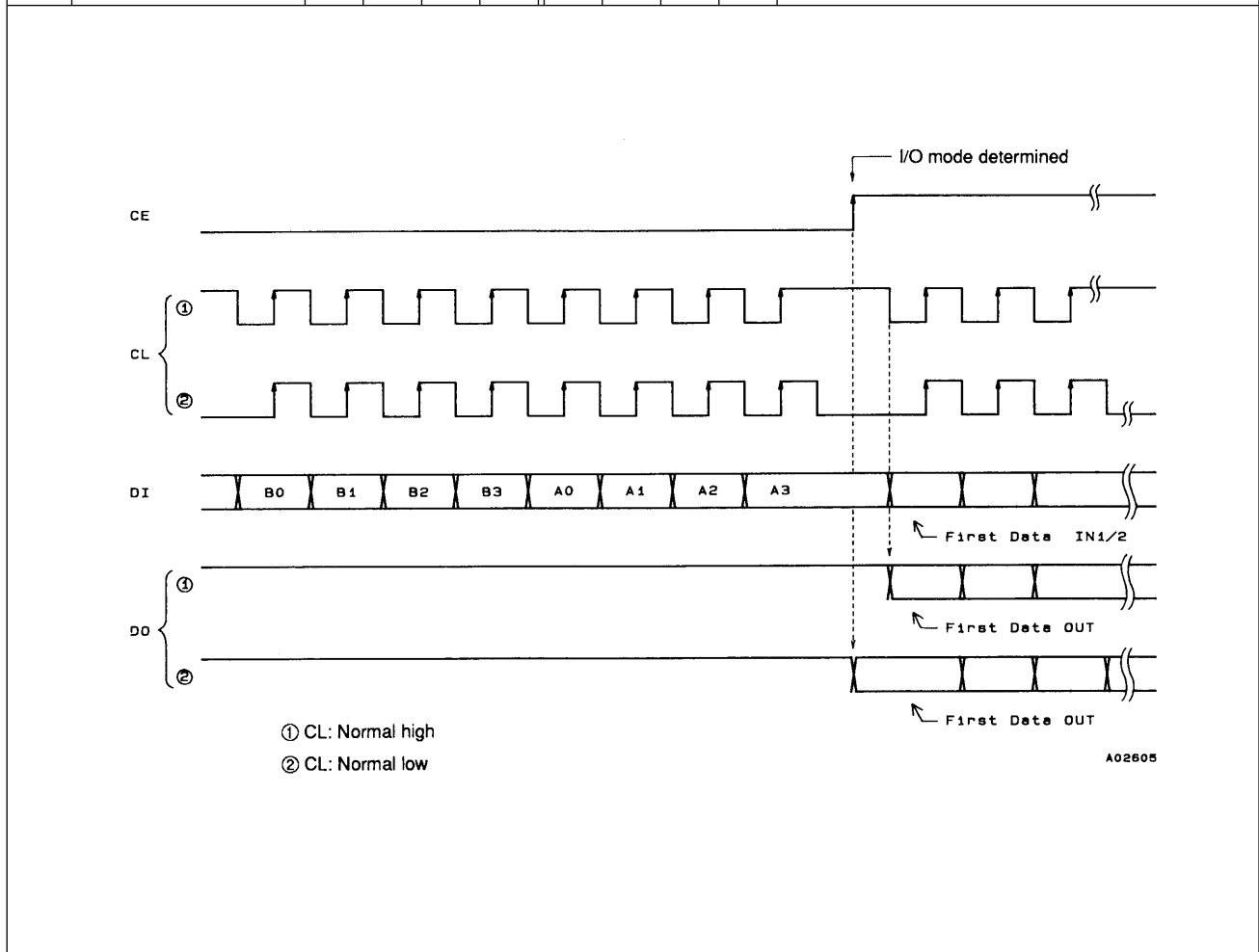
Continued from preceding page.

Symbol	Pin No.	Type	Functions	Circuit configuration
V_{SS}	23	Ground	<ul style="list-style-type: none"> The LC72130 ground 	—
$\overline{BO1}$ $\overline{BO2}$ $\overline{BO3}$ $\overline{BO4}$ $\overline{BO5}$	7 8 9 10 2	Output port	<ul style="list-style-type: none"> Dedicated output pins The output states are determined by $\overline{BO1}$ to $\overline{BO5}$ in the serial data. Data: 0 = open, 1 = low These pins go to the open state after the power on reset. An 8 Hz time base signal can be output from $\overline{BO1}$ when TBC in the serial data is set to 1. Note that the ON impedance of the $\overline{BO1}$ pin is higher than that of the other pins ($\overline{BO2}$ to $\overline{BO5}$). 	 A02601
$\overline{IO1}$ $\overline{IO2}$	11 13	I/O port	<ul style="list-style-type: none"> Pins used for both input and output The input or output state is determined by bits $\overline{IOC1}$ and $\overline{IOC2}$ in the serial data. Data: 0 = input port, 1 = output port When specified for use as an input port: The input state is transmitted to the controller through the DO pin. Input state: Low → data value = 0 High → data value = 1 When specified for use as an output port: The output state is determined by bits $\overline{IO1}$ and $\overline{IO2}$ in the serial data. Data: 0 = open, 1 = low These pins go to the input port state after the power ON reset. 	 A02602
PD1 PD2	19 20	Charge pump output	<ul style="list-style-type: none"> PLL charge pump output When the frequency generated by dividing the local oscillator frequency by N is higher than the reference frequency, a high level will be output from the PD pin. Similarly, when that frequency is lower, a low level will be output. The PD pin goes to the high impedance state when the frequencies agree. 	 A02603
AIN1 AOUT1 AIN2 AOUT2	18 17 21 22	LPF amplifier transistor	<ul style="list-style-type: none"> The MOS transistor used for the PLL active low-pass filter. 	 A02604
IFIN	12	IF counter	<ul style="list-style-type: none"> The input frequency range is from 0.4 to 12 MHz. The signal is supplied directly to the IF counter. The result from the IF counter MSB is output through the DO pin. There are four measurement periods: 4, 8, 32, or 64 ms. 	 A02599

Serial Data I/O Methods

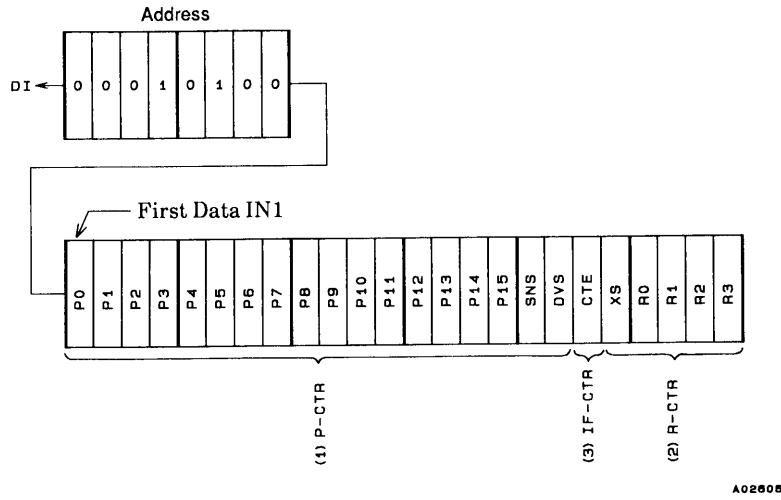
The LC72130 uses Sanyo's audio LSI serial bus format, the CCB (computer control bus) format, for data I/O. This LSI adopts an 8-bit address version of the CCB format.

	I/O mode	Address								Function
		B0	B1	B2	B3	A0	A1	A2	A3	
1	IN1 (82)	0	0	0	1	0	1	0	0	<ul style="list-style-type: none"> This is a control data input (serial data input) mode. 24 bits of data are input. See the "DI Control Data (Serial Data Input)" item for a description of the contents of the input data.
2	IN2 (92)	1	0	0	1	0	1	0	0	<ul style="list-style-type: none"> This is a control data input (serial data input) mode. 24 bits of data are input. See the "DI Control Data (Serial Data Input)" item for a description of the contents of the input data.
3	OUT (A2)	0	1	0	1	0	1	0	0	<ul style="list-style-type: none"> This is a data output (serial data output) mode. The number of bits output is equal to the number of clock cycles. See the "DO Control Data (Serial Data Output)" item for a description of the content of the output data.



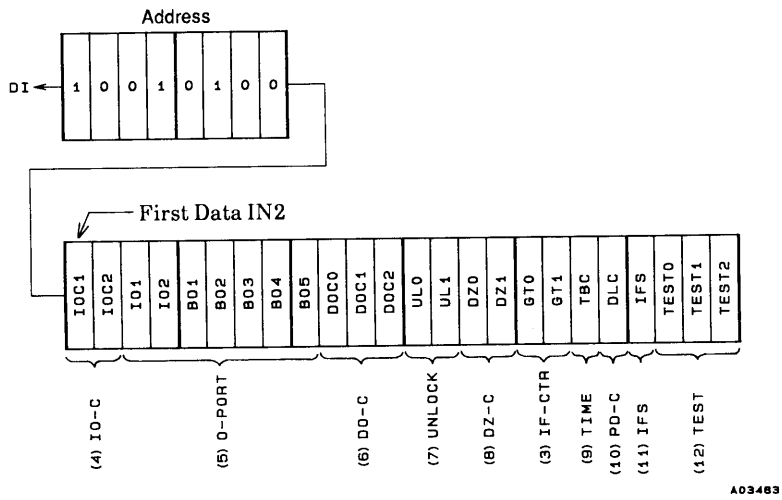
1. DI Control Data (Serial Data Input)

- IN1 Mode



A02606

- IN2 Mode



A03483

LC72130, 72130M

2. DI Control Data Functions

No.	Control block/data	Functions	Related data																																																																																					
(1)	Programmable divider data P0 to P15 DVS, SNS	<ul style="list-style-type: none"> • Sets the programmable divider divisor. This value is a binary value whose MSB is P15. The position of the LSB varies depending on DVS and SNS. (*: don't care) <table border="1"> <thead> <tr> <th>DVS</th> <th>SNS</th> <th>LSB</th> <th>Divisor setting (N)</th> <th>Actual divisor</th> </tr> </thead> <tbody> <tr> <td>1</td> <td>*</td> <td>P0</td> <td>272 to 65535</td> <td>Twice the value of the setting</td> </tr> <tr> <td>0</td> <td>1</td> <td>P0</td> <td>272 to 65535</td> <td>The value of the setting</td> </tr> <tr> <td>0</td> <td>0</td> <td>P4</td> <td>4 to 4095</td> <td>The value of the setting</td> </tr> </tbody> </table> <p>Note: P0 to P3 are ignored when P4 is the LSB.</p> <ul style="list-style-type: none"> • These bits select the signal input pin for the programmable divider and switch the input frequency range. (*: don't care) <table border="1"> <thead> <tr> <th>DVS</th> <th>SNS</th> <th>Input pin</th> <th>Input frequency range</th> </tr> </thead> <tbody> <tr> <td>1</td> <td>*</td> <td>FMIN</td> <td>10 to 160 MHz</td> </tr> <tr> <td>0</td> <td>1</td> <td>AMIN</td> <td>2 to 40 MHz</td> </tr> <tr> <td>0</td> <td>0</td> <td>AMIN</td> <td>0.5 to 10 MHz</td> </tr> </tbody> </table> <p>Note: See the "Programmable Divider" item for more information.</p>	DVS	SNS	LSB	Divisor setting (N)	Actual divisor	1	*	P0	272 to 65535	Twice the value of the setting	0	1	P0	272 to 65535	The value of the setting	0	0	P4	4 to 4095	The value of the setting	DVS	SNS	Input pin	Input frequency range	1	*	FMIN	10 to 160 MHz	0	1	AMIN	2 to 40 MHz	0	0	AMIN	0.5 to 10 MHz																																																		
DVS	SNS	LSB	Divisor setting (N)	Actual divisor																																																																																				
1	*	P0	272 to 65535	Twice the value of the setting																																																																																				
0	1	P0	272 to 65535	The value of the setting																																																																																				
0	0	P4	4 to 4095	The value of the setting																																																																																				
DVS	SNS	Input pin	Input frequency range																																																																																					
1	*	FMIN	10 to 160 MHz																																																																																					
0	1	AMIN	2 to 40 MHz																																																																																					
0	0	AMIN	0.5 to 10 MHz																																																																																					
(2)	Reference divider data R0 to R3 XS	<ul style="list-style-type: none"> • Selects the reference frequency (ref). <table border="1"> <thead> <tr> <th>R3</th> <th>R2</th> <th>R1</th> <th>R0</th> <th>Reference frequency (kHz)</th> </tr> </thead> <tbody> <tr><td>0</td><td>0</td><td>0</td><td>0</td><td>100</td></tr> <tr><td>0</td><td>0</td><td>0</td><td>1</td><td>50</td></tr> <tr><td>0</td><td>0</td><td>1</td><td>0</td><td>25</td></tr> <tr><td>0</td><td>0</td><td>1</td><td>1</td><td>25</td></tr> <tr><td>0</td><td>1</td><td>0</td><td>0</td><td>12.5</td></tr> <tr><td>0</td><td>1</td><td>0</td><td>1</td><td>6.25</td></tr> <tr><td>0</td><td>1</td><td>1</td><td>0</td><td>3.125</td></tr> <tr><td>0</td><td>1</td><td>1</td><td>1</td><td>3.125</td></tr> <tr><td>1</td><td>0</td><td>0</td><td>0</td><td>10</td></tr> <tr><td>1</td><td>0</td><td>0</td><td>1</td><td>9</td></tr> <tr><td>1</td><td>0</td><td>1</td><td>0</td><td>5</td></tr> <tr><td>1</td><td>0</td><td>1</td><td>1</td><td>1</td></tr> <tr><td>1</td><td>1</td><td>0</td><td>0</td><td>3</td></tr> <tr><td>1</td><td>1</td><td>0</td><td>1</td><td>15</td></tr> <tr><td>1</td><td>1</td><td>1</td><td>0</td><td>PLL INHIBIT + X'tal OSC STOP</td></tr> <tr><td>1</td><td>1</td><td>1</td><td>1</td><td>PLL INHIBIT</td></tr> </tbody> </table> <p>Note: PLL INHIBIT The programmable divider block and the IF counter block are stopped, the FMIN, AMIN, and IFIN pins are set to the pull-down state (ground), and the charge pump goes to the high impedance state.</p> <ul style="list-style-type: none"> • Crystal resonator selection XS = 0: 4.5 MHz XS = 1: 7.2 MHz The 7.2 MHz frequency is selected after the power ON reset. 	R3	R2	R1	R0	Reference frequency (kHz)	0	0	0	0	100	0	0	0	1	50	0	0	1	0	25	0	0	1	1	25	0	1	0	0	12.5	0	1	0	1	6.25	0	1	1	0	3.125	0	1	1	1	3.125	1	0	0	0	10	1	0	0	1	9	1	0	1	0	5	1	0	1	1	1	1	1	0	0	3	1	1	0	1	15	1	1	1	0	PLL INHIBIT + X'tal OSC STOP	1	1	1	1	PLL INHIBIT	
R3	R2	R1	R0	Reference frequency (kHz)																																																																																				
0	0	0	0	100																																																																																				
0	0	0	1	50																																																																																				
0	0	1	0	25																																																																																				
0	0	1	1	25																																																																																				
0	1	0	0	12.5																																																																																				
0	1	0	1	6.25																																																																																				
0	1	1	0	3.125																																																																																				
0	1	1	1	3.125																																																																																				
1	0	0	0	10																																																																																				
1	0	0	1	9																																																																																				
1	0	1	0	5																																																																																				
1	0	1	1	1																																																																																				
1	1	0	0	3																																																																																				
1	1	0	1	15																																																																																				
1	1	1	0	PLL INHIBIT + X'tal OSC STOP																																																																																				
1	1	1	1	PLL INHIBIT																																																																																				
(3)	IF counter control data CTE GT0, GT1	<ul style="list-style-type: none"> • IF counter measurement start data CTE = 1: Counter start CTE = 0: Counter reset • Determines the IF counter measurement period. <table border="1"> <thead> <tr> <th>GT1</th> <th>GT0</th> <th>Measurement time (ms)</th> <th>Wait time (ms)</th> </tr> </thead> <tbody> <tr> <td>0</td> <td>0</td> <td>4</td> <td>3 to 4</td> </tr> <tr> <td>0</td> <td>1</td> <td>8</td> <td>3 to 4</td> </tr> <tr> <td>1</td> <td>0</td> <td>32</td> <td>7 to 8</td> </tr> <tr> <td>1</td> <td>1</td> <td>64</td> <td>7 to 8</td> </tr> </tbody> </table> <p>Note: See the "IF Counter" item for more information.</p>	GT1	GT0	Measurement time (ms)	Wait time (ms)	0	0	4	3 to 4	0	1	8	3 to 4	1	0	32	7 to 8	1	1	64	7 to 8	IFS																																																																	
GT1	GT0	Measurement time (ms)	Wait time (ms)																																																																																					
0	0	4	3 to 4																																																																																					
0	1	8	3 to 4																																																																																					
1	0	32	7 to 8																																																																																					
1	1	64	7 to 8																																																																																					
(4)	I/O port specification data IOC1, IOC2	<ul style="list-style-type: none"> • Specifies the I/O direction for the bidirectional pins IO1 and IO2. Data: 0 = input mode, 1 = output mode 																																																																																						
(5)	Output port data BO1 to BO5, IO1, IO2	<ul style="list-style-type: none"> • Data that determines the output from the BO1 to BO5, IO1 and IO2 output ports Data: 0 = open, 1 = low • The data = 0 (open) state is selected after the power ON reset. 	IOC1 IOC2																																																																																					

Continued on next page.

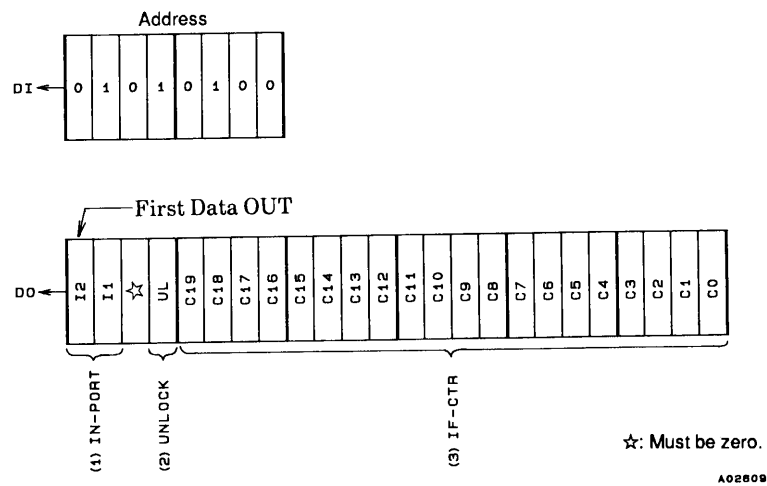
LC72130, 72130M

Continued from preceding page.

No.	Control block/data	Functions	Related data
(11)	IF counter control data	<ul style="list-style-type: none"> Note that if this value is set to zero the system enters input sensitivity degradation mode, and the sensitivity is reduced to 10 to 30 mV rms. * See the "IF Counter Operation" item for details. 	
(12)	LSI test data TEST 0 to TEST2	<ul style="list-style-type: none"> LSI test data TEST0 TEST1 TEST2 } These values must all be set to 0. <p>These test data are set to 0 automatically after the power ON reset.</p>	

3. DO Output Data (Serial Data Output)

- OUT Mode



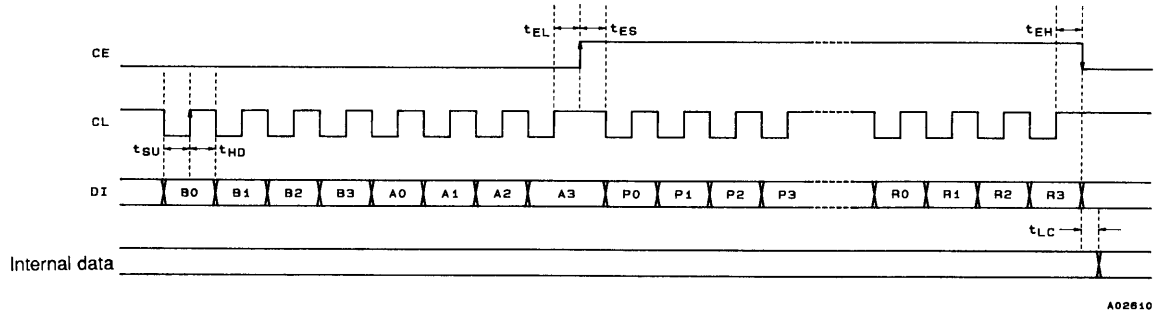
4. DO Output Data

No.	Control block/data	Functions	Related data
(1)	I/O port data I2, I1	<ul style="list-style-type: none"> Latched from the pin states of the IO1 and IO2 I/O ports. These values follow the pin states regardless of the input or output setting. Data is latched at the point where the circuit enters data output mode (OUT mode) <p>I1 ← IO1 pin state } High: 1 I2 ← IO2 pin state } Low: 0</p>	IOC1, IOC2
(2)	PLL unlock data UL	<ul style="list-style-type: none"> Latched from the state of the unlock detection circuit. UL ← 0: Unlocked UL ← 1: Locked or detection stopped mode 	UL0, UL1
(3)	IF counter binary data C19 to C0	<ul style="list-style-type: none"> Latched from the value of the IF counter (20-bit binary counter). C19 ← MSB of the binary counter C0 ← LSB of the binary counter 	CTE, GT0, GT1

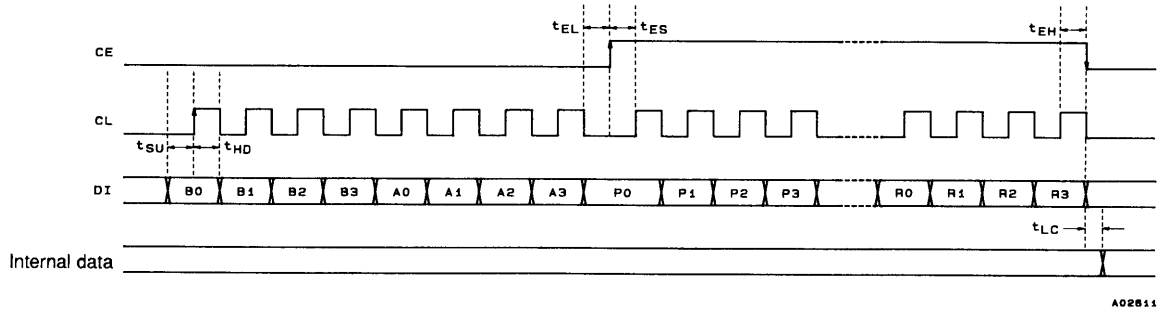
LC72130, 72130M

5. Serial Data Input (IN1/IN2) $t_{SU}, t_{HD}, t_{EL}, t_{ES}, t_{EH} \geq 0.75 \mu s, t_{LC} \leq 0.75 \mu s$

① CL: Normal high

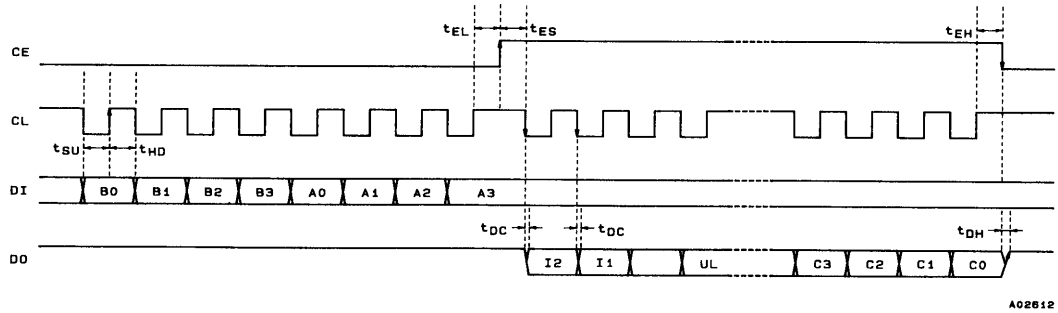


② CL: Normal low

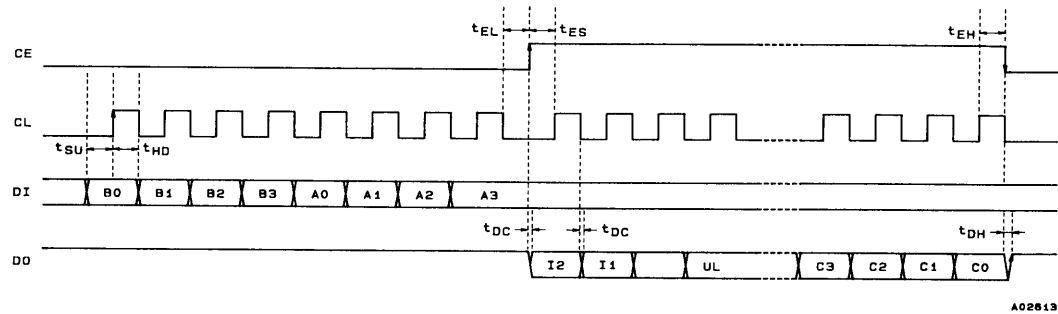


6. Serial Data Output (OUT) $t_{SU}, t_{HD}, t_{EL}, t_{ES}, t_{EH} \geq 0.75 \mu s, t_{DC}, t_{DH} \leq 0.35 \mu s$

① CL: Normal high



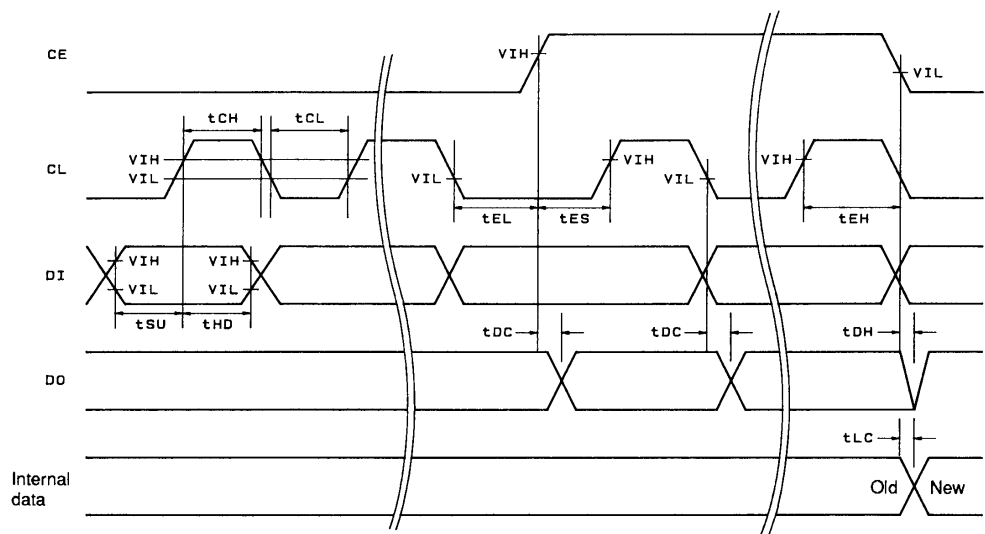
② CL: Normal low



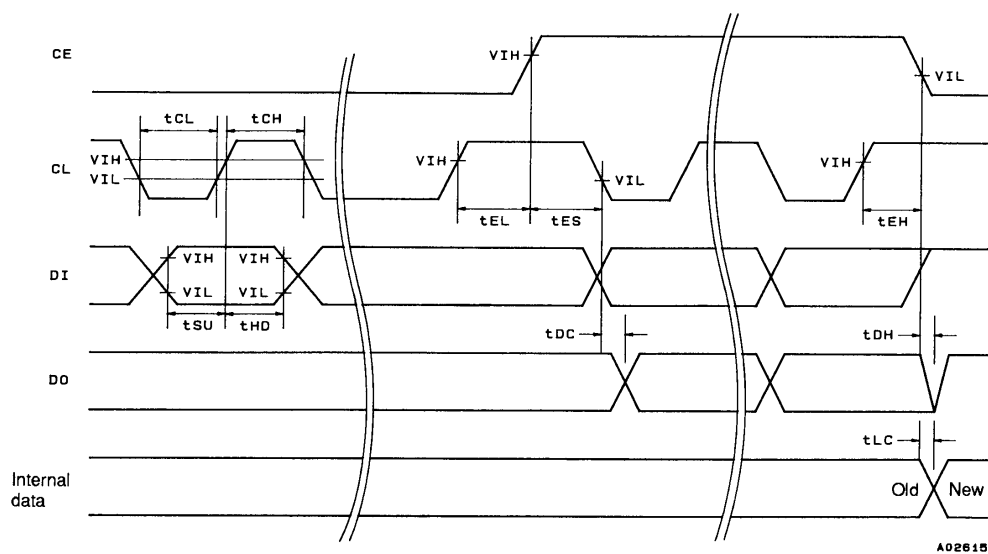
Note: Since the DO pin is an n-channel open drain pin, the time for the data to change (t_{DC} and t_{DH}) will differ depending on the value of the pull-up resistor and printed circuit board capacitance.

LC72130, 72130M

7. Serial Data Timing



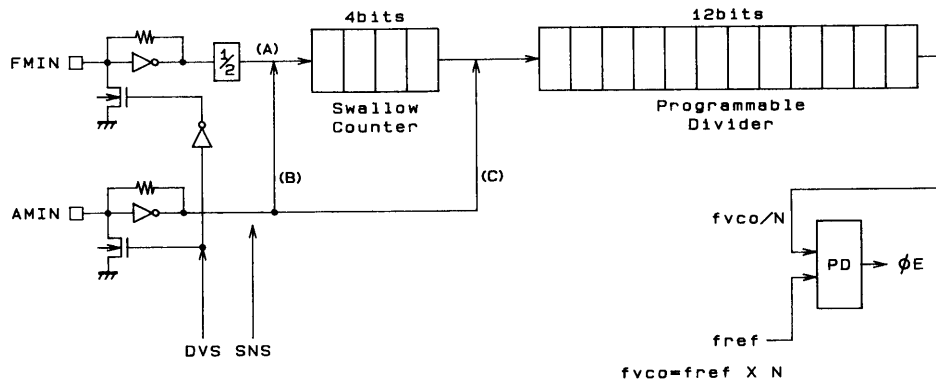
When stopped with CL low



When stopped with CL high

Parameter	Symbol	Pins	Conditions	min	typ	max	Unit
Data setup time	t_{SU}	DI, CL		0.75			μs
Data hold time	t_{HD}	DI, CL		0.75			μs
Clock low-level time	t_{CL}	CL		0.75			μs
Clock high-level time	t_{CH}	CL		0.75			μs
CE wait time	t_{EL}	CE, CL		0.75			μs
CE setup time	t_{ES}	CE, CL		0.75			μs
CE hold time	t_{EH}	CE, CL		0.75			μs
Data latch change time	t_{LC}					0.75	μs
Data output time	t_{DC}	DO, CL	Differs depending on the value of the pull-up resistor and the printed circuit board capacitance.			0.35	μs
	t_{DH}	DO, CE					

Programmable Divider



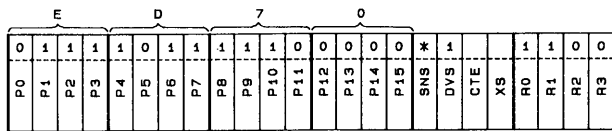
A02616

	DVS	SNS	Input pin	Set divisor	Actual divisor: N	Input frequency range (MHz)
A	1	*	FMIN	272 to 65535	Twice the set value	10 to 160
B	0	1	AMIN	272 to 65535	The set value	2 to 40
C	0	0	AMIN	4 to 4095	The set value	0.5 to 10

Note: * Don't care.

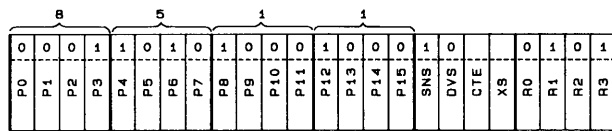
1. Programmable Divider Calculation Examples

- FM, 50 kHz steps (DVS = 1, SNS = *, FMIN selected)
 FM RF = 90.0 MHz (IF = +10.7 MHz)
 FM VCO = 100.7 MHz
 PLL fref = 25 kHz (R0 to R1 = 1, R2 to R3 = 0)
 $100.7 \text{ MHz (FM VCO)} \div 25 \text{ kHz (fref)} \div 2 \text{ (FMIN: divide-by-two prescaler)} = 2014 \rightarrow 07DE \text{ (HEX)}$



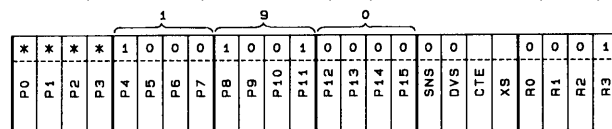
A02617

- SW, 5 kHz steps (DVS = 0, SNS = 1, AMIN high speed side selected)
 SW RF = 21.75 MHz (IF = +450 kHz)
 SW VCO = 22.20 MHz
 PLL fref = 5 kHz (R0 = R2 = 0, R1 = R3 = 1)
 $22.2 \text{ MHz (SW VCO)} \div 5 \text{ kHz (fref)} = 4440 \rightarrow 1158 \text{ (HEX)}$



A02618

- MW, 10 kHz steps (DVS = 0, SNS = 0, AMIN low-speed side selected)
 MW RF = 1000 kHz (IF = +450 kHz)
 MW VCO = 1450 kHz
 PLL fref = 10 kHz (R0 to R2 = 0, R3 = 1)
 $1450 \text{ kHz (MW VCO)} \div 10 \text{ kHz (fref)} = 145 \rightarrow 091 \text{ (HEX)}$

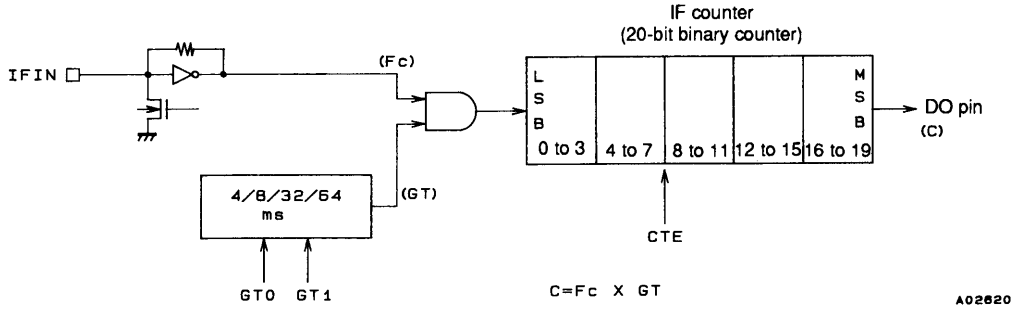


A02619

LC72130, 72130M

IF Counter

The LC72130 IF counter is a 20-bit binary counter. The result, i.e., the counter's msb, can be read serially from the DO pin.



A02620

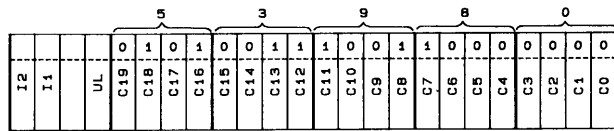
GT1	GT0	Measurement time	
		Measurement period (GT) (ms)	Wait time (twu) (ms)
0	0	4	3 to 4
0	1	8	3 to 4
1	0	32	7 to 8
1	1	64	7 to 8

The IF frequency (F_c) is measured by determining how many pulses were input to an IF counter in a specified measurement period, GT.

$$F_c = \frac{C}{GT} \quad (C = F_c \times GT) \quad C: \text{Count value (number of pulses)}$$

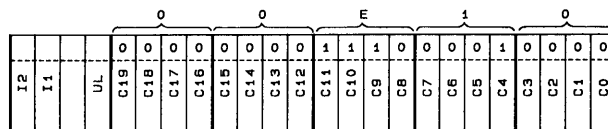
1. IF Counter Frequency Calculation Examples

- When the measurement period (GT) is 32 ms, the count (C) is 53980 hexadecimal (342400 decimal):
IF frequency (F_c) = $342400 \div 32 \text{ ms} = 10.7 \text{ MHz}$



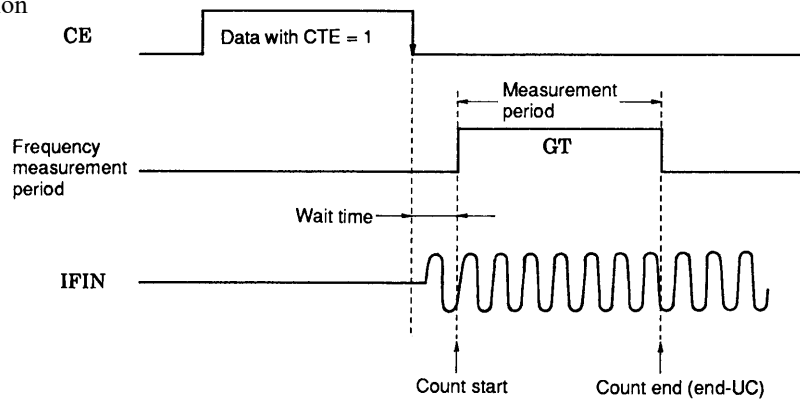
A02621

- When the measurement period (GT) is 8 ms, the count (C) is E10 hexadecimal (3600 decimal):
IF frequency (F_c) = $3600 \div 8 \text{ ms} = 450 \text{ kHz}$



A02622

2. IF Counter Operation



A02623

Prior to starting the IF counter, reset the IF counter in advance by setting CTE in the serial data to zero.

The IF counter is started by changing the value of CTE in the serial data from zero to one. The serial data is latched when the CE pin is dropped from high to low. The IF signal must be supplied to the IFIN pin in the period between the point the CE pin goes low and the end of the wait time at the latest. Next, the value of the IF counter at the end of the measurement period must be read out during the period that CTE is 1. This is because the IF counter is reset when CTE is set to 0.

Note: When operating the IF counter, the control microprocessor must check for the presence of the IF-IC SD (station detect signal) and, must turn on the IF buffer output and operate the counter only if the SD signal is present. Autosearch techniques that use only the IF counter are not recommended, since it is possible for IF buffer leakage output to cause incorrect stops at points where there is no station.

IFIN minimum input sensitivity standard

IFS	f (MHz)		
	$0.4 \leq f < 0.5$	$0.5 \leq f < 8$	$8 \leq f \leq 12$
1: Normal mode	40 mVrms (0.1 to 3 mVrms)	40 mVrms	40 mVrms (1 to 10 mVrms)
0: Degradation mode	70 mVrms (10 to 15 mVrms)	70 mVrms	70 mVrms (30 to 40 mVrms)

() : Actual values (reference data)

Unlock Detection Timing

1. Unlock Detection Determination Timing

Unlocked state detection is performed in the reference frequency (f_{ref}) period (interval). Therefore, in principle, this determination must be performed over a period no less than the reference frequency period. However, directly following a change to the (frequency) divisor N , that determination must be performed after at least two reference frequency periods have passed.

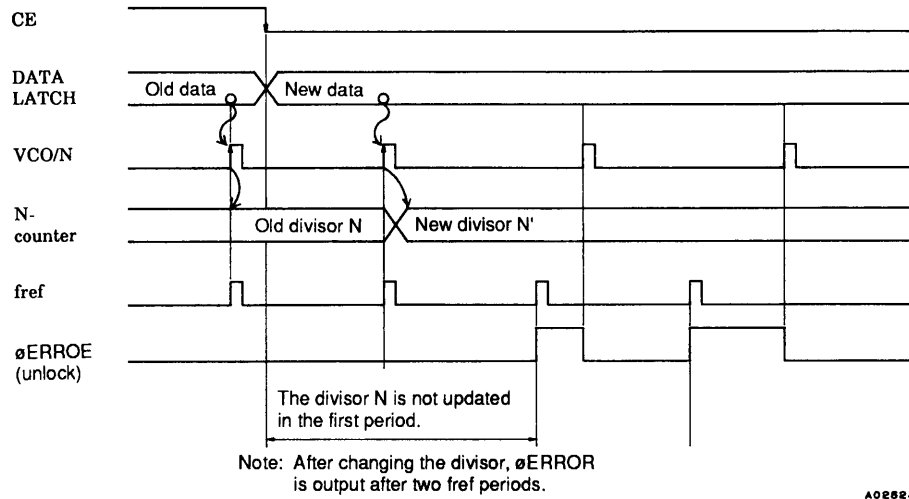


Figure 1 Unlocked State Detection Timing

For example, if f_{ref} is 1 kHz, i.e., the period is 1 ms, after the divisor N is changed, unlocked state determination must be performed after waiting 2 ms.

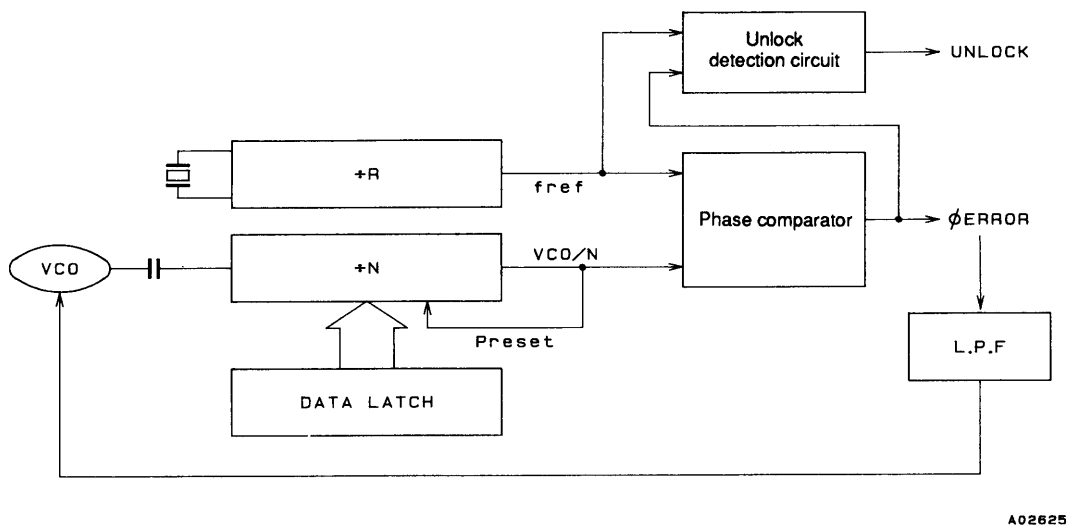


Figure 2 Circuit Structure

2. Unlock Determination Software Integration Method

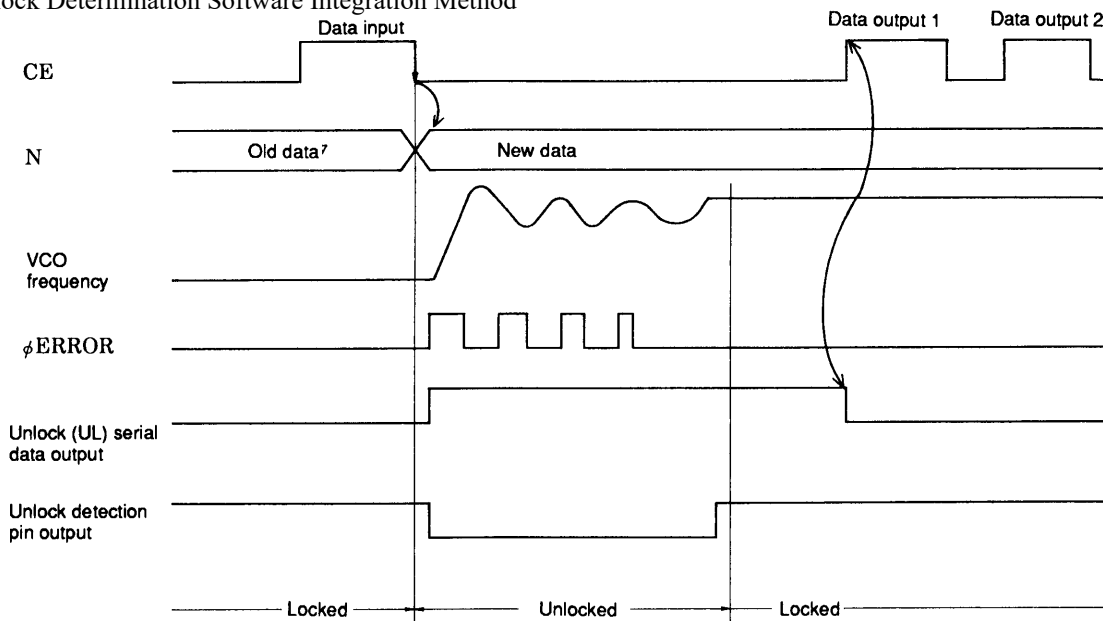


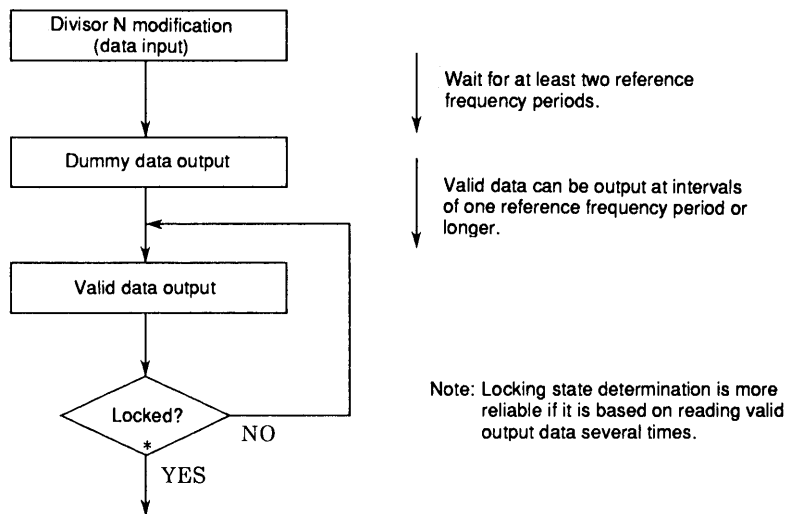
Figure 3

A02626

3. Unlocked State Data Output Using Serial Data Output

In the LC72130, once an unlocked state occurs, the unlocked state serial data (UL) will not be reset until a data input (or output) operation is performed. At the data output 1 point in Figure 3, although the VCO frequency has stabilized (locked), since no data output has been performed since the divisor N was changed the unlocked state data remains in the unlocked state. As a result, even though the frequency has stabilized (locked), the system remains (from the standpoint of the data) in the unlocked state.

Therefore, the unlocked state data acquired at data output 1, which occurs immediately after the divisor N was changed, should be treated as a dummy data output and ignored. The second data output (data output 2) and following outputs are valid data.



Locked State Determination Flowchart

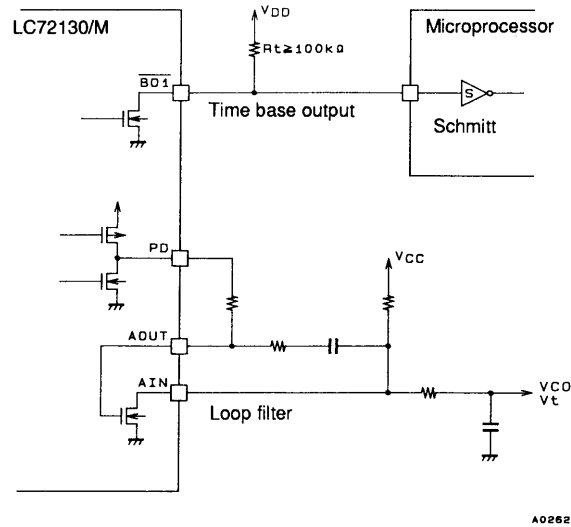
4. Directly Outputting Unlocked State Data from the DO Pin (Set by the DO pin control data)

Since the locking state (high = locked, low = unlocked) is output directly from the DO pin, the dummy data processing described in section 3 above is not required. After changing the divisor N, the locking state can be checked after waiting at least two reference frequency periods.

Clock Time Base Usage Notes

The pull-up resistor used on the clock time base output pin ($\overline{BO1}$) should be at least 100 k Ω . Also, to prevent chattering we recommend using a Schmitt input at the controller (microprocessor) that receives this signal.

This is to prevent degrading the VCO C/N characteristics when a loop filter is formed using the built-in low-pass filter transistor. Since the clock time base output pin and the low-pass filter have a common ground internal to the IC, it is necessary to minimize the time base output pin current fluctuations and to suppress their influence on the low-pass filter.



Other Items

1. Notes on the Phase Comparator Dead Zone

DZ1	DZ0	Dead zone mode	Charge pump	Dead zone
0	0	DZA	ON/ON	- -0 s
0	1	DZB	ON/ON	-0 s
1	0	DZC	OFF/OFF	+0 s
1	1	DZD	OFF/OFF	+ +0 s

Since correction pulses are output from the charge pump even if the PLL is locked when the charge pump is in the ON/ON state, the loop can easily become unstable. This point requires special care when designing application circuits.

The following problems may occur in the ON/ON state.

- Side band generation due to reference frequency leakage
- Side band generation due to both the correction pulse envelope and low frequency leakage

Schemes in which a dead zone is present (OFF/OFF) have good loop stability, but have the problem that acquiring a high C/N ratio can be difficult. On the other hand, although it is easy to acquire a high C/N ratio with schemes in which there is no dead zone, it is difficult to achieve high loop stability. Therefore, it can be effective to select DZA or DZB, which have no dead zone, in applications which require an FM S/R ratio in excess of 90 to 100 dB, or in which an increased AM stereo pilot margin is desired. On the other hand, we recommend selecting DZC or DZD, which provide a dead zone, for applications which do not require such a high FM signal-to-noise ratio and in which either AM stereo is not used or an adequate AM stereo pilot margin can be achieved.

Dead Zone

The phase comparator compares f_p to a reference frequency (f_r) as shown in Figure 4. Although the characteristics of this circuit (see Figure 5) are such that the output voltage is proportional to the phase difference ϕ (line A), a region (the dead zone) in which it is not possible to compare small phase differences occurs in actual ICs due to internal circuit delays and other factors (line B). A dead zone as small as possible is desirable for products that must provide a high S/N ratio.

However, since a larger dead zone makes this circuit easier to use, a larger dead zone is appropriate for popularly-priced products. This is because it is possible for RF signals to leak from the mixer to the VCO and modulate the VCO in popularly-priced products in the presence of strong RF inputs. When the dead zone is narrow, the circuit outputs correction pulses and this output can further modulate the VCO and generate beat frequencies with the RF signal.

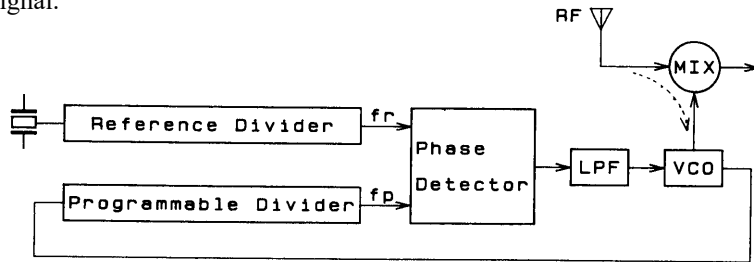


Figure 4

A02930

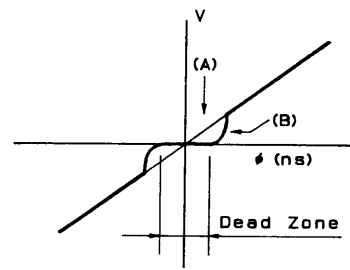


Figure 5

A02931

2. Notes on the FMIN, AMIN, and IFIN Pins

Coupling capacitors must be placed as close as possible to their respective pin. A capacitance of about 100 pF is desirable. In particular, if a capacitance of 1000 pF or over is used for the IF pin, the time to reach the bias level will increase and incorrect counting may occur due to the relationship with the wait time.

3. Notes on IF Counting → SD must be used in conjunction with the IF counting time

When using IF counting, always implement IF counting by having the microprocessor determine the presence of the IF-IC SD (station detect) signal and turn on the IF counter buffer only if the SD signal is present. Schemes in which auto-searches are performed with only IF counting are not recommended, since they can stop at points where there is no signal due to leakage output from the IF counter buffer.

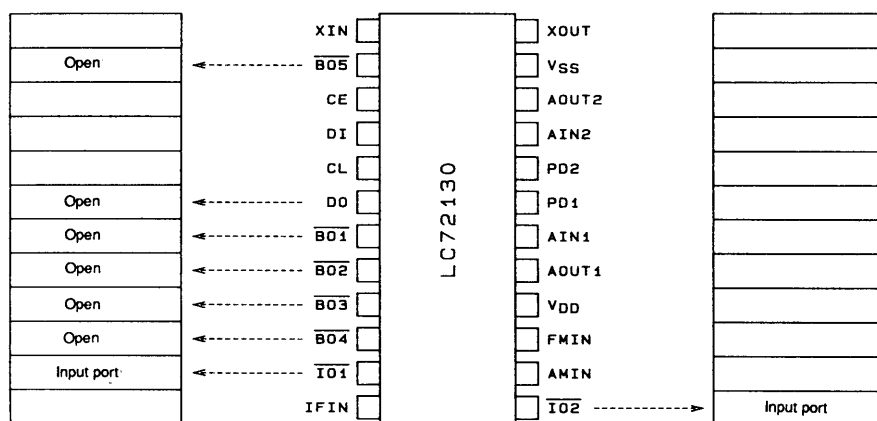
4. DO Pin Usage Techniques

In addition to data output mode times, the DO pin can also be used to check for IF counter count completion and for unlock detection output. Also, an input pin state can be output unchanged through the DO pin and input to the controller.

5. Power Supply Pins

A capacitor of at least 2000 pF must be inserted between the power supply V_{DD} and V_{SS} pins for noise exclusion. This capacitor must be placed as close as possible to the V_{DD} and V_{SS} pins.

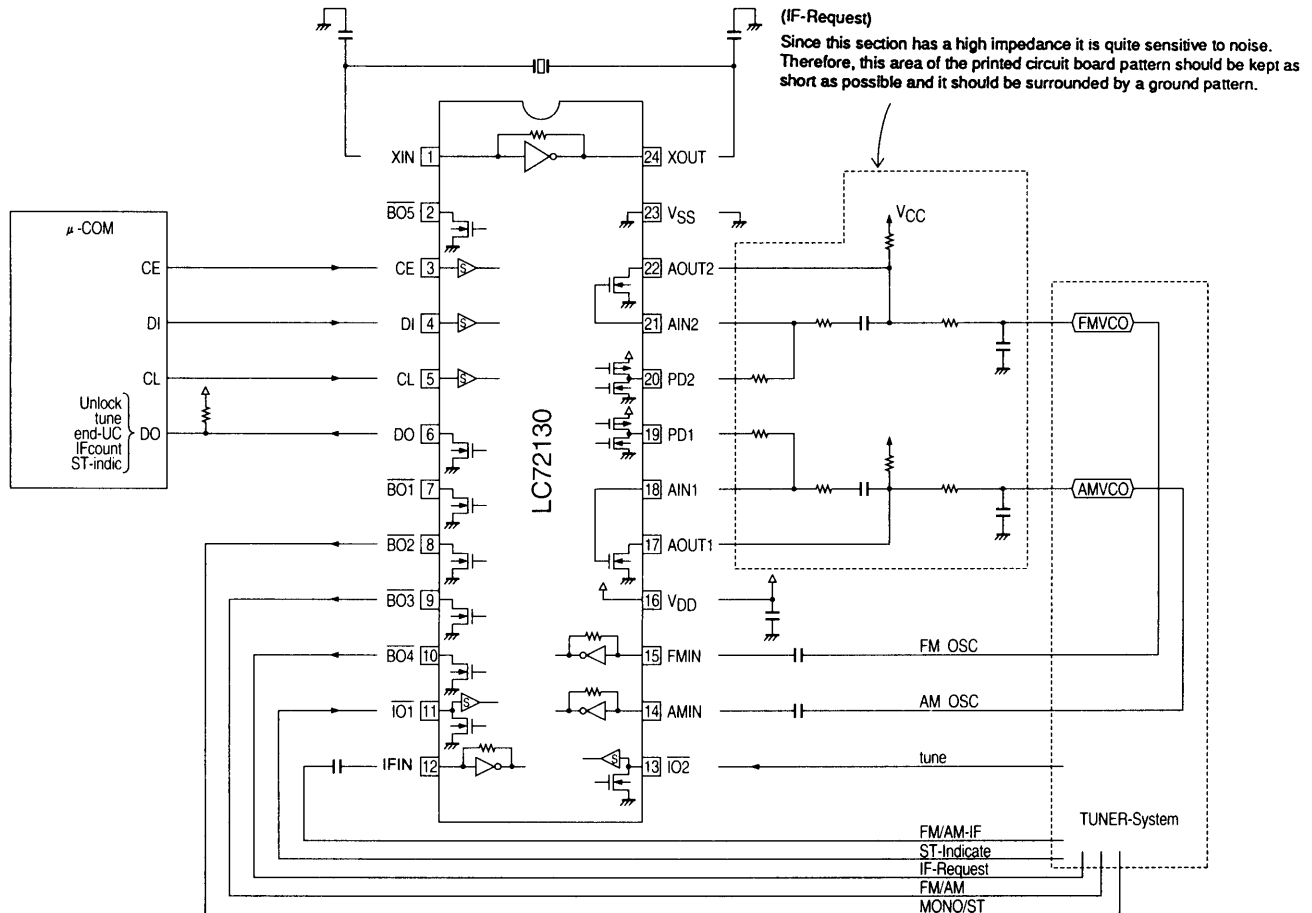
Pin States After the Power ON Reset



A03484

LC72130, 72130M

Sample Application System



A03485

- No products described or contained herein are intended for use in surgical implants, life-support systems, aerospace equipment, nuclear power control systems, vehicles, disaster/crime-prevention equipment and the like, the failure of which may directly or indirectly cause injury, death or property loss.
- Anyone purchasing any products described or contained herein for an above-mentioned use shall:
 - ① Accept full responsibility and indemnify and defend SANYO ELECTRIC CO., LTD., its affiliates, subsidiaries and distributors and all their officers and employees, jointly and severally, against any and all claims and litigation and all damages, cost and expenses associated with such use:
 - ② Not impose any responsibility for any fault or negligence which may be cited in any such claim or litigation on SANYO ELECTRIC CO., LTD., its affiliates, subsidiaries and distributors or any of their officers and employees jointly or severally.
- Information (including circuit diagrams and circuit parameters) herein is for example only; it is not guaranteed for volume production. SANYO believes information herein is accurate and reliable, but no guarantees are made or implied regarding its use or any infringements of intellectual property rights or other rights of third parties.

This catalog provide information as of November, 1996. Specifications and information herein are subject to change without notice.