

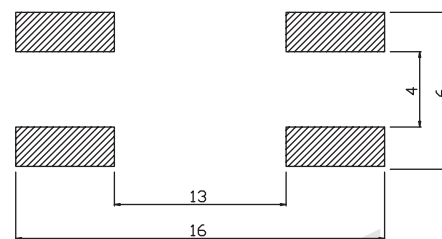
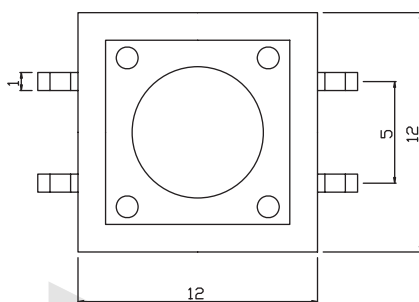
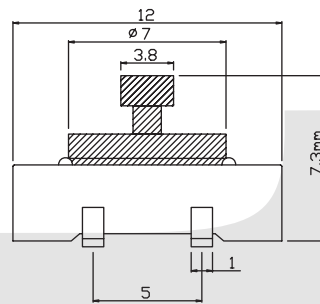
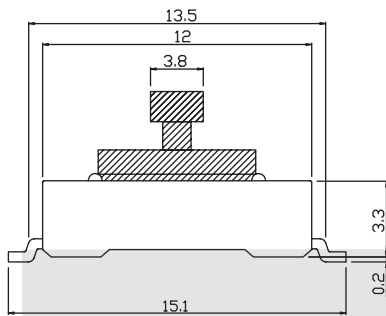
# Switch

## Tact Switch Series

### KLS7-TS1206 12x12 Tact Switch Series

#### ELECTRICAL

- 1.Rating: 50mA 12VDC
- 2.Contact Resistance : 50mΩ max(initial)
- 3.Insulation Resistance: 100MΩ(minDC 250V)
- 4.Dielectric Strength : AC250V(50/60Hz for 1minute)
- 5.Electrically Life: 100000cycles
- 6.Environment temperature:-20°C~+70°C
- 7.Operating Force: 180/250(±30gf)
- 8.Seal temperature:260°C~ 280°C



PCB LAYOUT

## ORDER INFORMATION

**KLS7-TS1206 - H1 - 180**

Part Number

Operating Force :180~250gf

Hight: H1=7.3mm