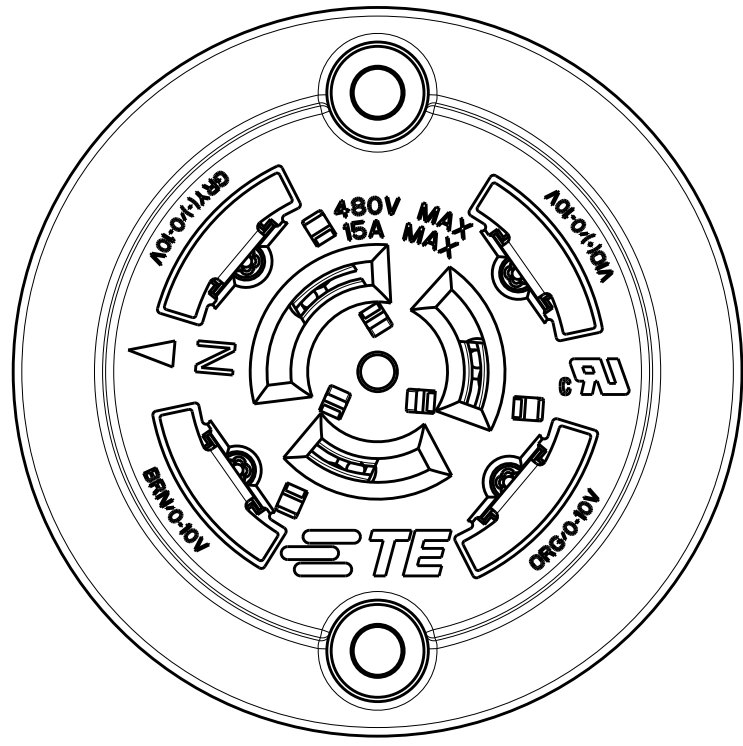


| LOC | | DIST | | REVISIONS | | | |
|-----|-----|---------------------------|-----------|-----------|------|--|--|
| P | LTR | DESCRIPTION | DATE | DWN | APVD | | |
| | A20 | REVISED PER ECR-20-016246 | 07DEC2020 | MM | JL | | |

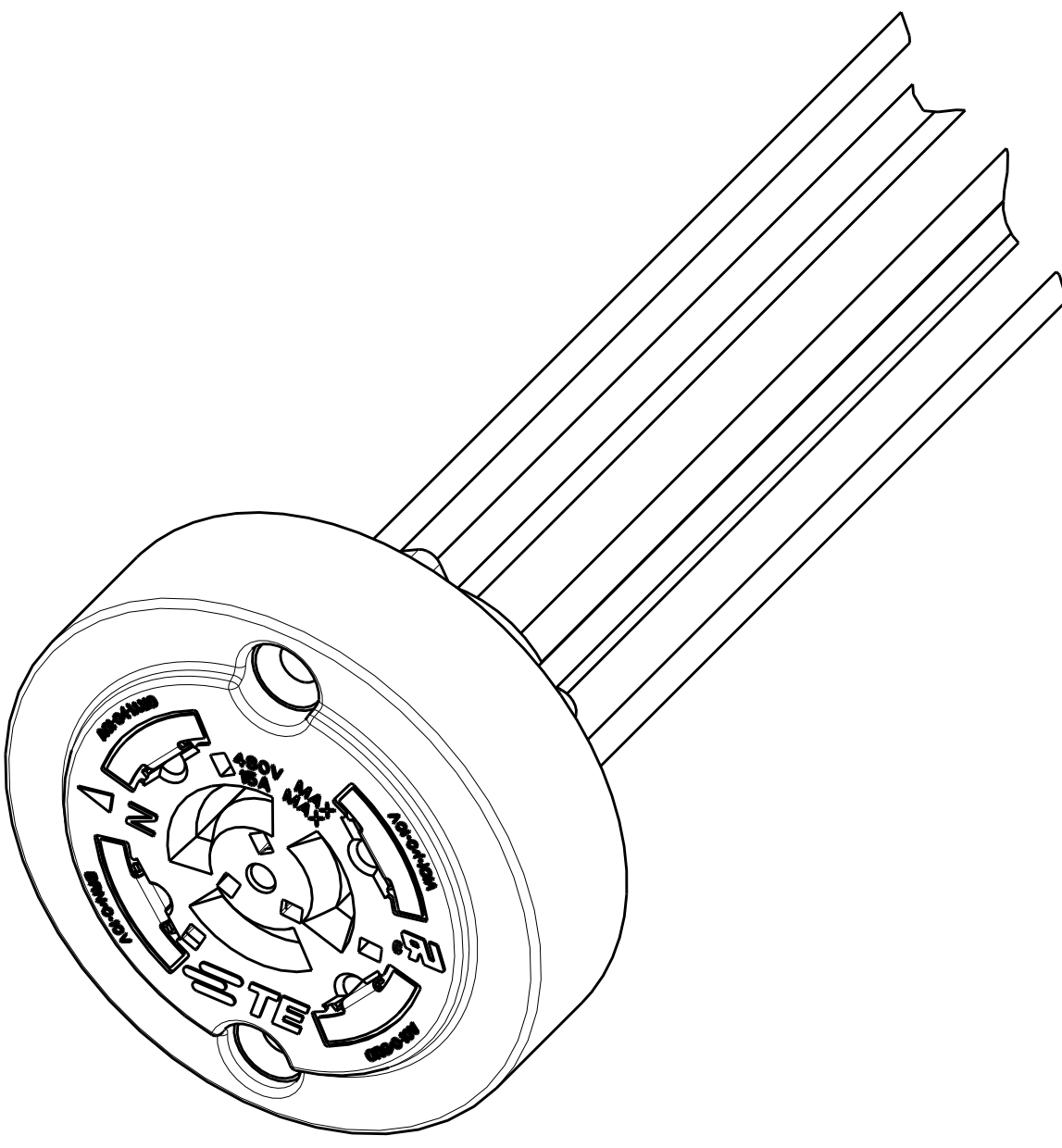
NOTES:

- 1. MATERIALS:**
HOUSING: GLASS-FILLED THERMOPLASTIC, UL 94V-0 RATED DIMMING CONTACTS (2 OR 4) AND LINE VOLTAGE CONTACTS (3): COPPER ALLOY
- 2. FINISH:**
DIMMING CONTACTS (2 OR 4): NICKEL UNDERPLATE ENTIRE CONTACT 0.127 µm MIN THICK. GOLD PLATE CONTACT PAD AREA (MATING FACE SIDE ONLY) 0.76 µm MIN THICK. MATTE TIN PLATE TAB ON BOTH SIDES 0.30 µm MIN THICK. LINE VOLTAGE CONTACTS (3): TIN PLATE.
- 3** LINE VOLTAGE CONDUCTORS (3):
14 AWG, 600V, 150°C RATED, COPPER 41/30 STRANDED PER UL STYLE AWM 3321.
- 4** MATING INTERFACE PER ANSI C136.41-2013.
- 5** OPTIONAL DIMMING CONTACTS (2) SUPPLIED.
- 6** DIMMING CONDUCTORS (2 OR 4):
18 AWG, 600V, 150°C RATED, 16/30 STRANDED, PER UL STYLE AWM 3321.
- 7** LINE VOLTAGE CONDUCTORS (3):
14 AWG, 600V, 105°C RATED, COPPER 41/30 STRANDED. PER UL STYLE AWM 1015.

- 8** DIMMING CONDUCTORS (2 OR 4):
18 AWG, 600V, 105°C RATED, COPPER 16/30 STRANDED. PER UL STYLE AWM 1015.
- 9** LUBRICATION: GOLD PLATED CONTACT PAD SURFACES OF DIMMING CONTACTS ARE LUBRICATED WITH A TRANSPARENT (NON-VISIBLE) LUBRICANT TO IMPROVE DURABILITY AND PERFORMANCE. AVOID CONTACT WITH THESE SURFACES WHICH MAY RESULT IN REMOVAL OF LUBRICANT
- 10** PRELIMINARY.
- 11** FOR PART NUMBER 5-2213362-4 ONLY, STRIP AND REMOVE INSULATION AS SHOWN. LEAD WIRES TO BE SOLDER DIPPED.
- 12.** MUST BE USED WITH EITHER GASKET P/N 2213469-1 OR P/N 2324246-1 (SOLD SEPARATELY).



SEE SHEET 2 FOR WIRING COLOR CODE



| STRIP LENGTH | OVERALL LENGTH | WIRE LENGTH | WIRE STYLE | QUANTITY OF DIMMING CONTACTS | PART NO. | |
|--|----------------|-------------|------------|------------------------------|----------|-------------------|
| 12.7 | 1036.3 | 1000 | 986.5 | 7 AND 8 | 4 5 | 8-2213362-4 10 |
| 12.7 | 266.3 | 230.0 | 216.5 | 7 AND 8 | 4 5 | 7-2213362-4 |
| 12.7 | 236.3 | 200.0 | - | 7 | - | 6-2213362-4 10 |
| 12.7 | 341.1 | 304.8 | - | 3 | - | 6-2213362-2 |
| 12.7 | 341.1 | 304.8 | - | 7 | - | 6-2213362-1 |
| 15.88 | 264.9 | 228.6 | - | 3 | - | 5-2213362-9 |
| BLACK WIRE: 15.88 WHITE WIRE: 15.88 RED WIRE: 6.35 | 798.3 | 762.0 | - | 3 | - | 5-2213362-8 |
| 9.0 | 341.1 | 304.8 | 291.3 | 7 AND 8 | 4 5 | 5-2213362-4 11 10 |
| 9.0 | 341.1 | 304.8 | 291.3 | 7 AND 8 | 4 5 | 4-2213362-5 |
| 12.7 | 950.7 | 914.4 | 914.4 | 7 AND 8 | 4 5 | 4-2213362-4 10 |
| 8.0 | 73.0 | 35.0 | 35.0 | 7 AND 8 | 4 5 | 3-2213362-4 10 |
| 12.7 | 1865.1 | 1828.8 | 1815.3 | 3 AND 6 | 2 | 3-2213362-1 10 |
| 12.7 | 736.3 | 700.0 | 686.5 | 7 AND 8 | 4 5 | 2-2213362-4 |
| 12.7 | 696.3 | 660.0 | 646.5 | 3 AND 6 | 4 5 | 2-2213362-2 10 |
| 12.7 | 696.3 | 660.0 | 646.5 | 3 AND 6 | 2 | 2-2213362-1 |
| 12.7 | 536.3 | 500.0 | 486.5 | 7 AND 8 | 4 5 | 1-2213362-4 |
| 12.7 | 536.3 | 500.0 | 486.5 | 7 AND 8 | 2 | 1-2213362-3 10 |
| 12.7 | 1823.3 | 1346.0 | 1332.5 | 3 AND 6 | 4 5 | 1-2213362-2 |
| 12.7 | 536.3 | 500.0 | 486.5 | 3 AND 6 | 2 | 1-2213362-1 10 |
| 12.7 | 341.1 | 304.8 | 291.3 | 7 AND 8 | 4 5 | 2213362-4 |
| 12.7 | 341.1 | 304.8 | 291.3 | 7 AND 8 | 2 | 2213362-3 |
| 12.7 | 341.1 | 304.8 | 291.3 | 3 AND 6 | 4 5 | 2213362-2 |
| 12.7 | 341.1 | 304.8 | 291.3 | 3 AND 6 | 2 | 2213362-1 |

THIS DRAWING IS A CONTROLLED DOCUMENT.

DWN: J. SHAFFER 26 JUN 2013
 CHK: E. HOWARD 26 JUN 2013
 APVD: E. HOWARD 26 JUN 2013

STE TE Connectivity

NAME: RECEPTACLE ASSEMBLY, DIMMABLE PHOTOCONTROL

PRODUCT SPEC: 108-32059
 APPLICATION SPEC: 114-32115

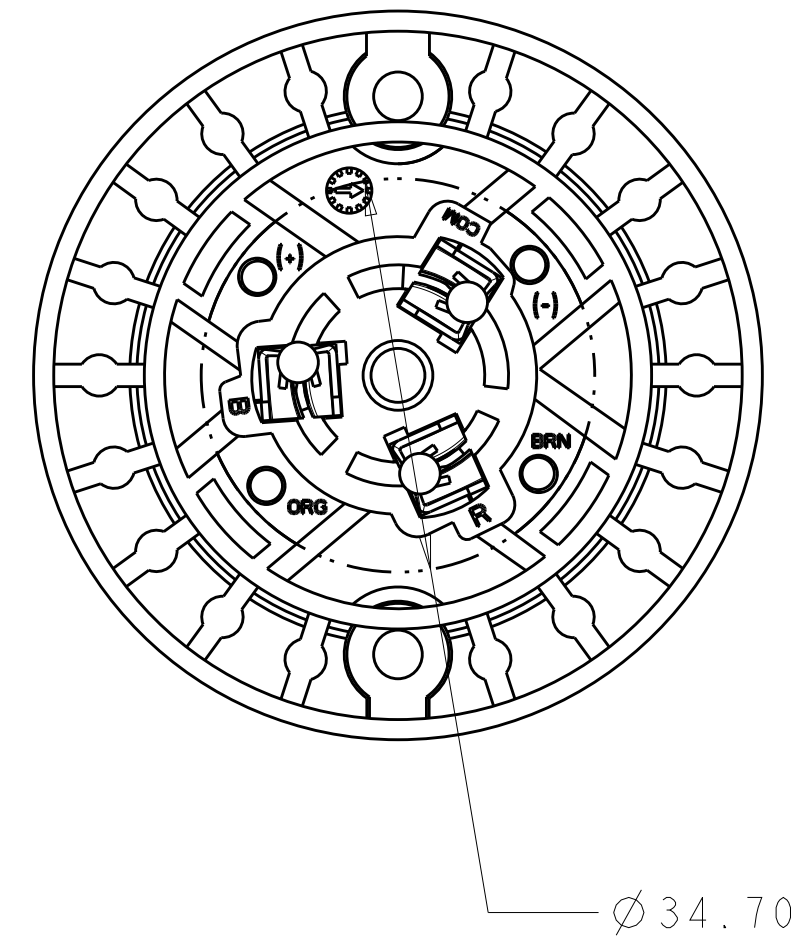
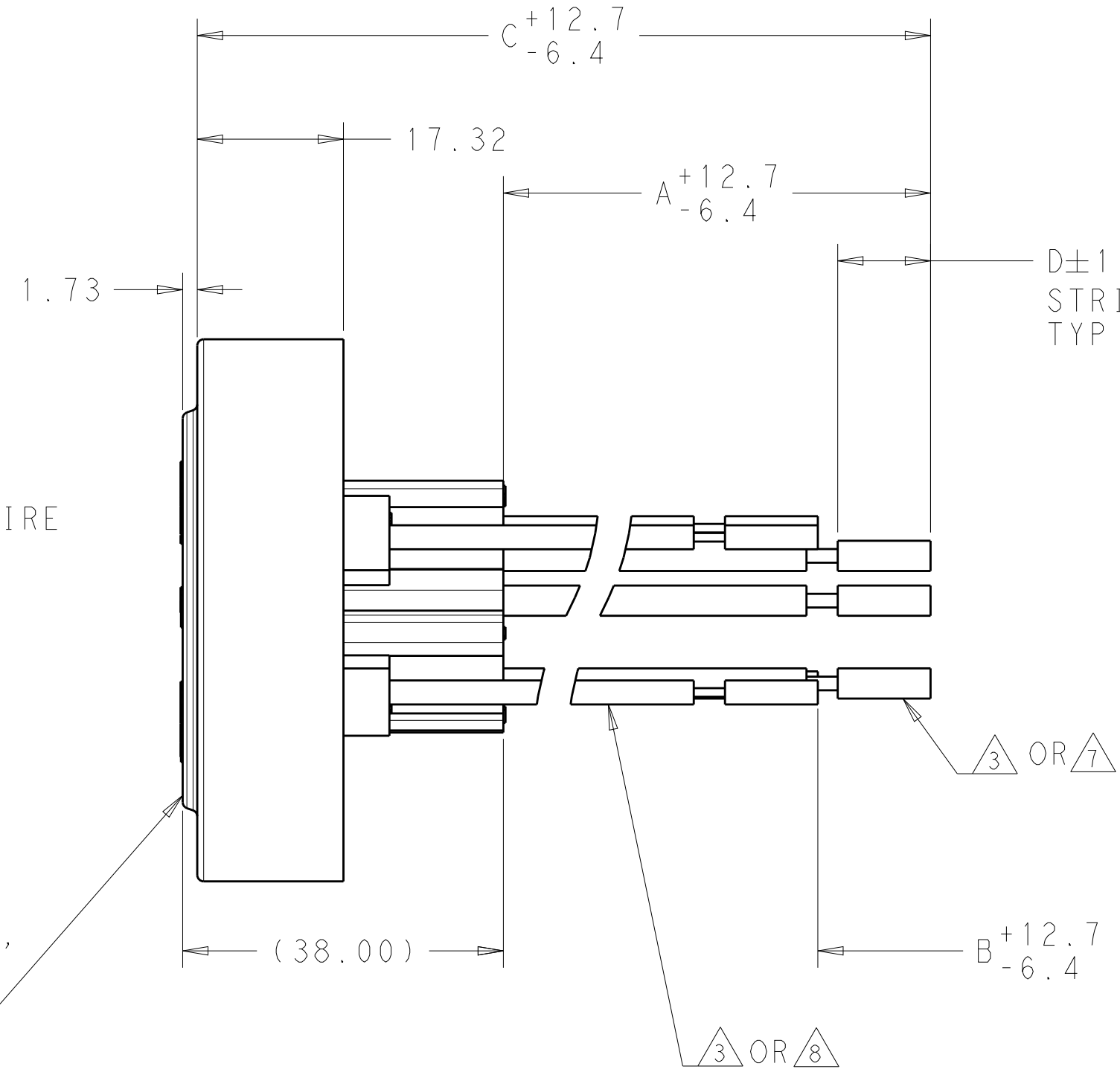
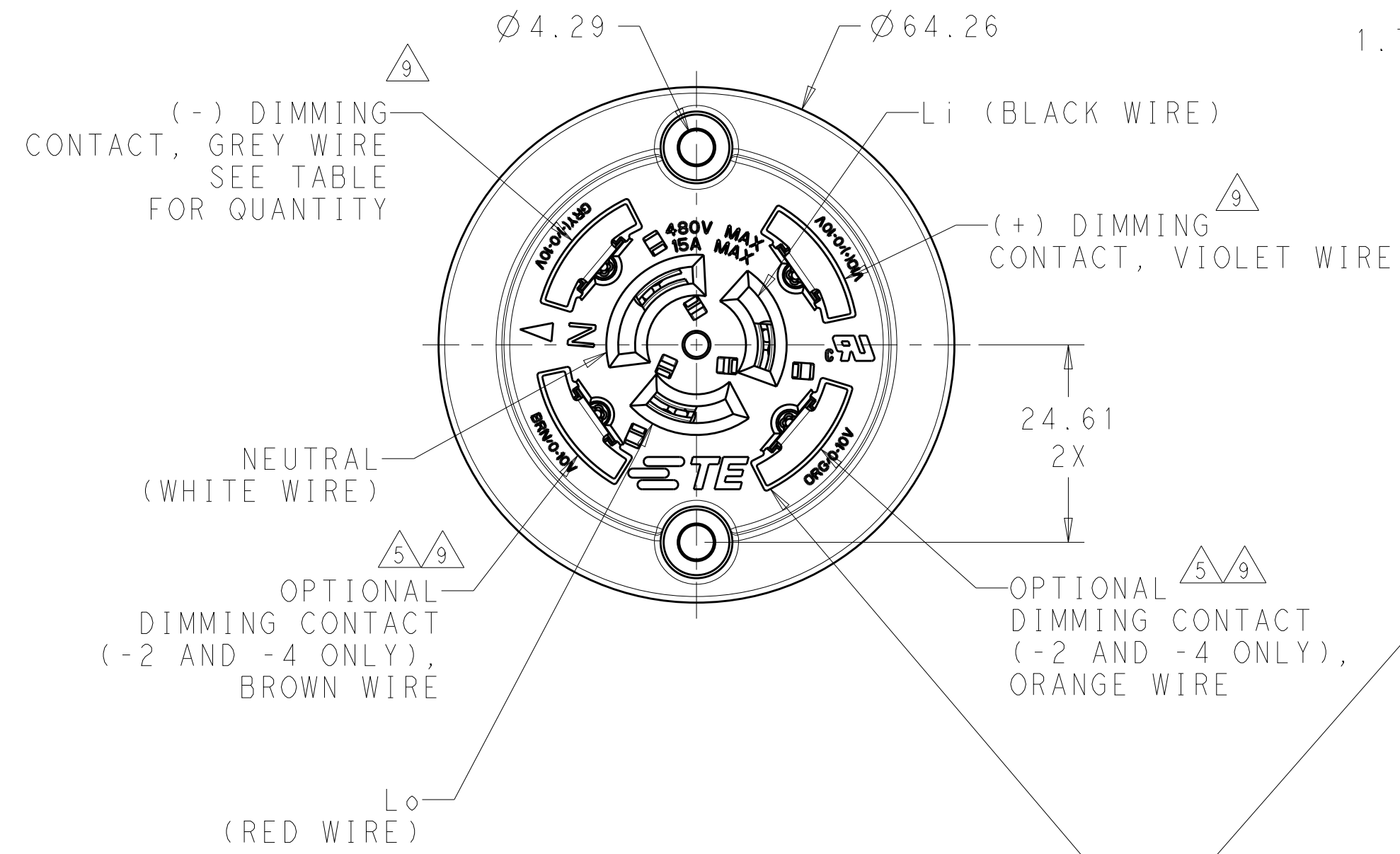
SIZE: A2 CAGE CODE: 00779 DRAWING NO: C-2213362 RESTRICTED TO: -

SCALE: 1:1 SHEET 1 OF 2 REV: A20

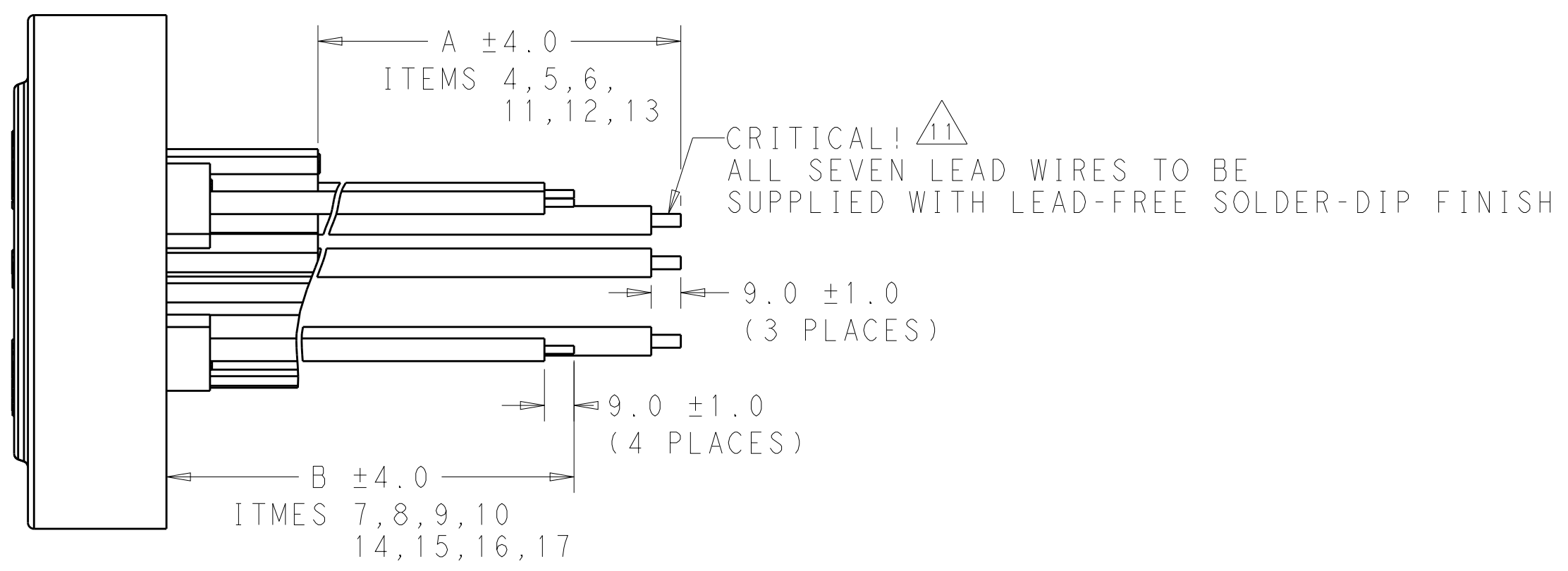
CUSTOMER DRAWING

THIS DRAWING IS UNPUBLISHED. RELEASED FOR PUBLICATION 20
 © COPYRIGHT 20 BY - ALL RIGHTS RESERVED.

| LOC | | DIST | | REVISIONS | | | |
|-----|-----|-------------|------|-----------|------|--|--|
| P | LTR | DESCRIPTION | DATE | DWN | APVD | | |
| - | - | SEE SHEET 1 | - | - | - | | |



5-2213362-4 ONLY



| | | | | |
|--|--|----------------------------------|---|--|
| THIS DRAWING IS A CONTROLLED DOCUMENT. | | DWN J. SHAFFER 26 JUN 2013 | TE Connectivity | |
| DIMENSIONS: mm | | CHK E. HOWARD 26 JUN 2013 | | |
| TOLERANCES UNLESS OTHERWISE SPECIFIED: | | APVD E. HOWARD 26 JUN 2013 | NAME RECEPTACLE ASSEMBLY, DIMMABLE PHOTOCONTROL | |
| 0 PLC ± | | PRODUCT SPEC 108-32059 | SIZE A200779 | |
| 1 PLC ± | | APPLICATION SPEC 114-32115 | CAGE CODE C-2213362 | |
| 2 PLC ±0.13 | | WEIGHT - | DRAWING NO - | |
| 3 PLC ± | | CUSTOMER DRAWING | RESTRICTED TO - | |
| 4 PLC ± | | SCALE 1:1 | SHEET 2 OF 2 | |
| ANGLES ± | | REV A20 | | |
| FINISH | | | | |