

## TPS717

### Low-Noise, High-Bandwidth PSRR, Low-Dropout, 150-mA Linear Regulator

#### 1 Features

- Input Voltage: 2.5 V to 6.5 V
- Available in Multiple Output Versions:
  - Fixed Output with Voltages from 0.9 V to 5 V
  - Adjustable Output Voltage from 0.9 V to 6.2 V
- Ultra-High PSRR:
  - 70 dB at 1 kHz, 67 dB at 100 kHz, and 45 dB at 1 MHz
- Excellent Load and Line Transient Response
- Very Low Dropout: 170 mV typical at 150 mA
- Low Noise: 30  $\mu\text{V}_{\text{RMS}}$  typical (100 Hz to 100 kHz)
- Small 5-pin SC-70, 2-mm  $\times$  2-mm WSON-6, and 1.5-mm  $\times$  1.5-mm WSON-6 Packages

#### 2 Applications

- Camera Sensor Power
- Mobile Phone Handsets
- PDAs and Smartphones
- Wireless LAN, Bluetooth<sup>®</sup>

#### 3 Description

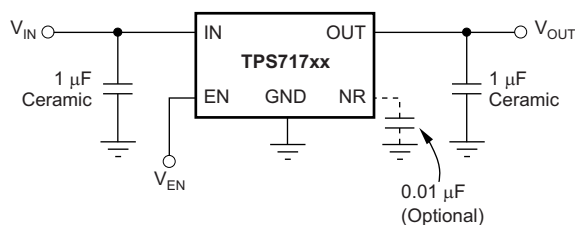
The TPS717 family of low-dropout (LDO), low-power linear regulators offers very high power-supply rejection (PSRR) while maintaining very low 45- $\mu\text{A}$  ground current in an ultra-small, five-pin SOT package. The family uses an advanced BiCMOS process and a PMOS pass device to achieve fast start-up, very low noise, excellent transient response, and excellent PSRR performance. The TPS717 is stable with a 1- $\mu\text{F}$  ceramic output capacitor and uses a precision voltage reference and feedback loop to achieve a worst-case accuracy of 3% over all load, line, process, and temperature variations. The device family is fully specified from  $T_J = -40^\circ\text{C}$  to  $125^\circ\text{C}$  and is offered in a small SOT (SC70-5) package, a 2-mm  $\times$  2-mm WSON-6 package with a thermal pad, and a 1.5-mm  $\times$  1.5-mm WSON-6 package, which are ideal for small form factor portable equipment (such as wireless handsets and PDAs).

#### Device Information<sup>(1)</sup>

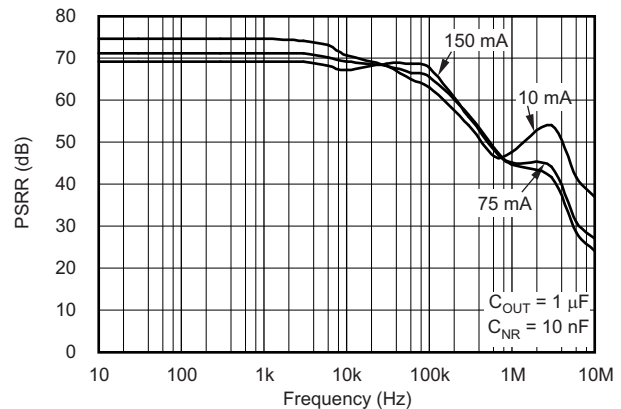
| PART NUMBER | PACKAGE  | BODY SIZE (NOM)          |
|-------------|----------|--------------------------|
| TPS717      | SC70 (5) | 2.00 mm $\times$ 1.25 mm |
|             | WSON (6) | 2.00 mm $\times$ 2.00 mm |
|             | WSON (6) | 1.50 mm $\times$ 1.50 mm |

(1) For all available package and voltage options, see the orderable addendum at the end of the datasheet.

#### Typical Application Circuit for Fixed-Voltage Versions



#### PSRR vs Frequency



Power-Supply Rejection Ratio ( $V_{\text{IN}} - V_{\text{OUT}} = 1 \text{ V}$ )



## Table of Contents

|  |           |  |           |
|--|-----------|--|-----------|
| <b>1 Features</b> .....                        | <b>1</b>  | <b>8 Application and Implementation</b> .....                    | <b>16</b> |
| <b>2 Applications</b> .....                    | <b>1</b>  | 8.1 Application Information.....                                 | 16        |
| <b>3 Description</b> .....                     | <b>1</b>  | 8.2 Typical Applications .....                                   | 17        |
| <b>4 Revision History</b> .....                | <b>2</b>  | 8.3 Do's and Don'ts .....  | 19        |
| <b>5 Pin Configuration and Functions</b> ..... | <b>4</b>  | <b>9 Power Supply Recommendations</b> .....                      | <b>19</b> |
| <b>6 Specifications</b> .....                  | <b>5</b>  | <b>10 Layout</b> .....   | <b>20</b> |
| 6.1 Absolute Maximum Ratings .....             | 5         | 10.1 Layout Guidelines .....                                     | 20        |
| 6.2 ESD Ratings .....                          | 5         | 10.2 Layout Examples.....  | 20        |
| 6.3 Recommended Operating Conditions.....      | 5         | 10.3 Power Dissipation .....                                     | 21        |
| 6.4 Thermal Information .....                  | 5         | <b>11 Device and Documentation Support</b> .....                 | <b>23</b> |
| 6.5 Electrical Characteristics.....            | 6         | 11.1 Device Support .....  | 23        |
| 6.6 Typical Characteristics.....               | 7         | 11.2 Documentation Support .....                                 | 23        |
| <b>7 Detailed Description</b> .....            | <b>12</b> | 11.3 Community Resources.....                                    | 23        |
| 7.1 Overview .....                             | 12        | 11.4 Trademarks .....  | 24        |
| 7.2 Functional Block Diagrams .....            | 12        | 11.5 Electrostatic Discharge Caution.....                        | 24        |
| 7.3 Feature Description.....                   | 13        | 11.6 Glossary .....  | 24        |
| 7.4 Device Functional Modes.....               | 14        | <b>12 Mechanical, Packaging, and Orderable Information</b> ..... | <b>24</b> |

## 4 Revision History

### Changes from Revision H (January 2015) to Revision I

Page

|  |    |
|--|----|
| • Added TI Design .....  | 1  |
| • Changed PMOSFET to PMOS in <i>Description</i> section .....  | 1  |
| • Added footnote to the <i>Recommended Operating Conditions</i> table.....   | 5  |
| • Changed $V_{FB}$ parameter in <i>Electrical Characteristics</i> table .....  | 6  |
| • Changed units of $V_n$ parameter in <i>Electrical Characteristics</i> table.....   | 6  |
| • Deleted UVLO parameter minimum specification from <i>Electrical Characteristics</i> table.....                                 | 6  |
| • Changed $T_A$ to $T_J$ in x-axis of <a href="#">Figure 7</a> , <a href="#">Figure 10</a> , and <a href="#">Figure 11</a> ..... | 8  |
| • Changed second paragraph of <i>Startup and Noise Reduction Capacitor</i> section.....  | 13 |
| • Changed last bullet in <i>Normal Operation</i> section .....   | 14 |
| • Changed value of the $T_J$ column in last row of <a href="#">Table 1</a> .....   | 15 |
| • Added last sentence to <i>Input and Output Capacitor Requirements</i> section.....   | 16 |
| • Changed $V_{REF}$ to $V_{FB}$ in <a href="#">Equation 3</a> .....  | 17 |
| • Changed definition of $z$ in <a href="#">Table 4</a> .....   | 23 |

**Changes from Revision G (April 2009) to Revision H**
**Page**

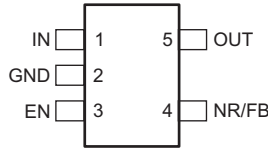
|  |    |
|--|----|
| • Changed pin descriptions throughout <i>Pin Functions</i> table .....   | 4  |
| • Added <i>ESD Ratings</i> table, <i>Feature Description</i> section, <i>Device Functional Modes</i> , <i>Application and Implementation</i> section, <i>Power Supply Recommendations</i> section, <i>Layout</i> section, <i>Device and Documentation Support</i> section, and <i>Mechanical, Packaging, and Orderable Information</i> section ..... | 5  |
| • Changed load regulation typical specification from 120 $\mu$ V to 70 $\mu$ V to better reflect device performance .....  | 6  |
| • Changed condition for $C_{NR} = \text{none}$ for $V_n$ parameter.....  | 6  |
| • Changed <a href="#">Figure 1</a> , <a href="#">Figure 2</a> , <a href="#">Figure 3</a> , and <a href="#">Figure 4</a> : removed legend, added call-outs for clarity .....  | 7  |
| • Changed titles of <a href="#">Figure 15</a> , <a href="#">Figure 17</a> , and <a href="#">Figure 25</a> .....  | 8  |
| • Corrected input and output symbols in operational amplifiers in <a href="#">Functional Block Diagrams</a> .....  | 12 |
| • Changed <i>Undervoltage Lockout (UVLO)</i> section text: reworded for clarity.....   | 14 |
| • Deleted <i>Reverse Current Protection</i> section .....  | 16 |

**Changes from Revision F (February 2009) to Revision G**
**Page**

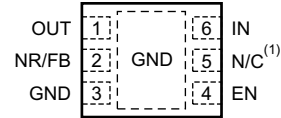
|  |   |
|--|---|
| • Changed min and max specs for <i>Output accuracy</i> , $V_{OUT} \geq 1.0V$ ..... | 6 |
|--|---|

## 5 Pin Configuration and Functions

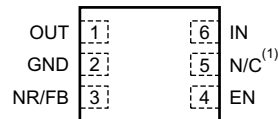
**DCK Package**  
5-Pin SC70  
Top View



**DRV Package**  
2-mm × 2-mm, 6-Pin WSON  
Top View



**DSE Package**  
1.5-mm × 1.5-mm, 6-Pin WSON  
Top View



(1) N/C = No connection

### Pin Functions

| NAME | PIN        |            |            | I/O | DESCRIPTION  |
|------|------------|------------|------------|-----|--|
|      | DCK (SC70) | DRV (WSON) | DSE (WSON) |     |  |
| EN   | 3          | 4          | 4          | I   | Driving the enable pin (EN) above $V_{EN(\text{high})}$ turns on the regulator. Driving this pin below $V_{EN(\text{low})}$ puts the regulator into standby mode, thereby disabling the output and reducing operating current. |
| FB   | 4          | 2          | 3          | I   | Adjustable voltage version only. The voltage at this pin is fed to the error amplifier. A resistor divider from OUT to FB sets the output voltage when in regulation.  |
| GND  | 2          | 3          | 2          | —   | Ground   |
| IN   | 1          | 6          | 6          | I   | Input to the device. A 0.1- $\mu\text{F}$ to 1- $\mu\text{F}$ capacitor is recommended for better performance.   |
| N/C  | —          | 5          | 5          | —   | Not connected. This pin can be tied to ground to improve thermal dissipation.  |
| NR   | 4          | 2          | 3          | —   | Fixed voltage versions only. The noise reduction capacitor filters the noise generated by the internal band gap, thus lowering output noise.   |
| OUT  | 5          | 1          | 1          | O   | This pin is the regulated output voltage. A minimum capacitance of 1 $\mu\text{F}$ is required for stability from this pin to ground.  |

## 6 Specifications

### 6.1 Absolute Maximum Ratings

over operating temperature range (unless otherwise noted), all voltages are with respect to GND<sup>(1)</sup>

|                                    |                   | MIN                                     | MAX                                    | UNIT |
|------------------------------------|-------------------|---|--|------|
| Voltage                            | V <sub>IN</sub>   | -0.3                                    | 7                                      | V    |
|                                    | V <sub>FB</sub>   | -0.3                                    | 3.6                                    |      |
|                                    | V <sub>NR</sub>   | -0.3                                    | 3.6                                    |      |
|                                    | V <sub>EN</sub>   | -0.3                                    | V <sub>IN</sub> + 0.3 V <sup>(2)</sup> |      |
|                                    | V <sub>OUT</sub>  | -0.3                                    | 7                                      |      |
| Current                            | I <sub>OUT</sub>  | Internally limited                      |  | A    |
| Continuous total power dissipation | P <sub>DISS</sub> | See <a href="#">Thermal Information</a> |  |      |
| Operating junction temperature     | T <sub>J</sub>    | -55                                     | 150                                    | °C   |
| Storage temperature                | T <sub>stg</sub>  | -55                                     | 150                                    | °C   |

- (1) Stresses beyond those listed under *Absolute Maximum Ratings* may cause permanent damage to the device. These are stress ratings only, which do not imply functional operation of the device at these or any other conditions beyond those indicated under *Recommended Operating Conditions*. Exposure to absolute-maximum-rated conditions for extended periods may affect device reliability.
- (2) V<sub>EN</sub> absolute maximum rating is V<sub>IN</sub> + 0.3 V or 7 V, whichever is greater.

### 6.2 ESD Ratings

|  |  | VALUE | UNIT |
|--|--|-------|------|
| V <sub>(ESD)</sub> Electrostatic discharge | Human body model (HBM), per ANSI/ESDA/JEDEC JS-001 <sup>(1)</sup>              | ±2000 | V    |
|  | Charged device model (CDM), per JEDEC specification JESD22-C101 <sup>(2)</sup> | ±500  |      |

- (1) JEDEC document JEP155 states that 500-V HBM allows safe manufacturing with a standard ESD control process.
- (2) JEDEC document JEP157 states that 250-V CDM allows safe manufacturing with a standard ESD control process.

### 6.3 Recommended Operating Conditions

over operating junction temperature range (unless otherwise noted)

|                  |                      | MIN              | NOM | MAX             | UNIT |
|------------------|----------------------|------------------|-----|-----------------|------|
| V <sub>IN</sub>  | Input voltage        | 2.5              |     | 6.5             | V    |
| V <sub>OUT</sub> | Output voltage       | 0.9              |     | 5               | V    |
| I <sub>OUT</sub> | Output current       | 0                |     | 150             | mA   |
| V <sub>EN</sub>  | Enable voltage       | 0                |     | V <sub>IN</sub> | V    |
| C <sub>OUT</sub> | Output capacitor     | 1 <sup>(1)</sup> |     | 100             | µF   |
| T <sub>J</sub>   | Junction temperature | -40              |     | 125             | °C   |

- (1) When using feedback resistors that are smaller than recommended, the minimum output capacitance must be greater than 5 µF.

### 6.4 Thermal Information

| THERMAL METRIC <sup>(1)</sup> |  | TPS717     |            |            | UNIT |
|-------------------------------|--|------------|------------|------------|------|
|                               |  | DCK (SC70) | DRV (WSON) | DSE (WSON) |      |
|                               |  | 5 PINS     | 6 PINS     | 6 PINS     |      |
| R <sub>θJA</sub>              | Junction-to-ambient thermal resistance       | 279.2      | 71.1       | 190.5      | °C/W |
| R <sub>θJC(top)</sub>         | Junction-to-case (top) thermal resistance    | 57.5       | 96.5       | 94.9       | °C/W |
| R <sub>θJB</sub>              | Junction-to-board thermal resistance         | 74.1       | 40.5       | 149.3      | °C/W |
| ψ <sub>JT</sub>               | Junction-to-top characterization parameter   | 0.8        | 2.7        | 6.4        | °C/W |
| ψ <sub>JB</sub>               | Junction-to-board characterization parameter | 73.1       | 40.9       | 152.8      | °C/W |
| R <sub>θJC(bot)</sub>         | Junction-to-case (bottom) thermal resistance | n/a        | 10.7       | n/a        | °C/W |

- (1) For more information about traditional and new thermal metrics, see the *IC Package Thermal Metrics* application report, [SPRA953](#).

## 6.5 Electrical Characteristics

Over operating temperature range ( $T_J = -40^\circ\text{C}$  to  $125^\circ\text{C}$ ),  $V_{IN} = V_{OUT(nom)} + 0.5\text{ V}$  or  $2.5\text{ V}$ , whichever is greater;  $I_{OUT} = 0.5\text{ mA}$ ,  $V_{EN} = V_{IN}$ ,  $C_{OUT} = 1.0\text{ }\mu\text{F}$ ,  $C_{NR} = 0.01\text{ }\mu\text{F}$ , unless otherwise noted. For TPS71701,  $V_{OUT} = 2.8\text{ V}$ . Typical values are at  $T_J = 25^\circ\text{C}$ .

| PARAMETER                        |  | TEST CONDITIONS   |   | MIN   | TYP                   | MAX            | UNIT                         |
|----------------------------------|--|---|---|-------|-----------------------|----------------|------------------------------|
| $V_{IN}$                         | Input voltage range <sup>(1)</sup>   |   |   | 2.5   |                       | 6.5            | V                            |
| $V_{FB}$                         | Feedback pin voltage (TPS71701)  | $I_{OUT} = 5\text{ mA}$   |   | -2%   | 0.793                 | 2%             | V                            |
| $V_{OUT}$                        | Output voltage range   | (TPS717xx)  |   | 0.9   |                       | 5.0            | V                            |
|                                  |  | (TPS71701)  |   | 0.9   |                       | $6.5 - V_{DO}$ |                              |
| $V_{OUT}$                        | Output accuracy  | Nominal   | $T_J = 25^\circ\text{C}$  |       | $\pm 2.5$             |                | mV                           |
|                                  | Output accuracy ( $V_{OUT} < 1.0\text{ V}$ )                                 | Over $V_{IN}$ , $I_{OUT}$ , temperature <sup>(2)</sup>  | $V_{OUT} + 0.5\text{ V} \leq V_{IN} \leq 6.5\text{ V}$<br>$0\text{ mA} \leq I_{OUT} \leq 150\text{ mA}$ | -30   |                       | 30             |                              |
|                                  | Output accuracy ( $V_{OUT} \geq 1.0\text{ V}$ )                              | Over $V_{IN}$ , $I_{OUT}$ , temperature <sup>(2)</sup>  | $V_{OUT} + 0.5\text{ V} \leq V_{IN} \leq 6.5\text{ V}$<br>$0\text{ mA} \leq I_{OUT} \leq 150\text{ mA}$ | -3.0% |                       | 3.0%           |                              |
| $\Delta V_{OUT(\Delta V_{IN})}$  | Line regulation <sup>(1)</sup>   | $V_{OUT(nom)} + 0.5\text{ V} \leq V_{IN} \leq 6.5\text{ V}$ ,<br>$I_{OUT} = 5\text{ mA}$                          |   |       | 125                   |                | $\mu\text{V/V}$              |
| $\Delta V_{OUT(\Delta I_{OUT})}$ | Load regulation  | $0\text{ mA} \leq I_{OUT} \leq 150\text{ mA}$   |   |       | 70                    |                | $\mu\text{V/mA}$             |
| $V_{DO}$                         | Dropout voltage <sup>(3)</sup><br>( $V_{IN} = V_{OUT(nom)} - 0.1\text{ V}$ ) | $I_{OUT} = 150\text{ mA}$   |   |       | 170                   | 300            | mV                           |
| $I_{LIM}(\text{fixed})$          | Output current limit (fixed output)  | $V_{OUT} = 0.9 \times V_{OUT(nom)}$   |   | 200   | 325                   | 575            | mA                           |
| $I_{LIM}(\text{adjustable})$     | Output current limit (TPS71701)  | $V_{OUT} = 0.9 \times V_{OUT(nom)}$   |   | 200   | 325                   | 575            | mA                           |
| $I_{GND}$                        | Ground pin current   | $I_{OUT} = 0.1\text{ mA}$   |   |       | 45                    | 80             | $\mu\text{A}$                |
|                                  |  | $I_{OUT} = 150\text{ mA}$   |   |       | 100                   |                |                              |
| $I_{SHDN}$                       | Shutdown current ( $I_{GND}$ )   | $V_{EN} \leq 0.4\text{ V}$ ,<br>$T_J = -40^\circ\text{C}$ to<br>$85^\circ\text{C}$                                | $2.5\text{ V} \leq V_{IN} < 4.5\text{ V}$   |       | 0.20                  | 1.5            | $\mu\text{A}$                |
|                                  |  |   | $4.5\text{ V} \leq V_{IN} \leq 6.5\text{ V}$  |       | 0.90                  |                |                              |
| $I_{FB}$                         | Feedback pin current (TPS71701)  |   |   |       | 0.02                  | 1.0            | $\mu\text{A}$                |
| PSRR                             | Power-supply rejection ratio   | $V_{IN} = 3.8\text{ V}$ ,<br>$V_{OUT} = 2.8\text{ V}$ ,<br>$I_{OUT} = 150\text{ mA}$                              | $f = 100\text{ Hz}$   |       | 70                    |                | dB                           |
|                                  |  |   | $f = 1\text{ kHz}$  |       | 70                    |                |                              |
|                                  |  |   | $f = 10\text{ kHz}$   |       | 67                    |                |                              |
|                                  |  |   | $f = 100\text{ kHz}$  |       | 67                    |                |                              |
|                                  |  |   | $f = 1\text{ MHz}$  |       | 45                    |                |                              |
| $V_n$                            | Output noise voltage   | BW = 100 Hz to<br>100 kHz,<br>$V_{IN} = 3.8\text{ V}$ ,<br>$V_{OUT} = 2.8\text{ V}$ ,<br>$I_{OUT} = 10\text{ mA}$ | $C_{NR} = \text{none}$  |       | $95 \times V_{OUT}$   |                | $\mu\text{V}_{RMS}/\text{V}$ |
|                                  |  |   | $C_{NR} = 0.001\text{ }\mu\text{F}$   |       | $25 \times V_{OUT}$   |                |                              |
|                                  |  |   | $C_{NR} = 0.01\text{ }\mu\text{F}$  |       | $12.5 \times V_{OUT}$ |                |                              |
|                                  |  |   | $C_{NR} = 0.1\text{ }\mu\text{F}$   |       | $11.5 \times V_{OUT}$ |                |                              |
| $t_{STR}$                        | Startup time   | $V_{OUT} = 90\%$<br>$V_{OUT(nom)}$ ,<br>$R_L = 19\text{ }\Omega$ ,<br>$C_{OUT} = 1\text{ }\mu\text{F}$            | $0.9\text{ V} \leq V_{OUT} \leq 1.6\text{ V}$ , $C_{NR} = 0.001\text{ }\mu\text{F}$                     |       | 0.700                 |                | ms                           |
|                                  |  |   | $1.6\text{ V} < V_{OUT} < V_{MAX}$ , $C_{NR} = 0.01\text{ }\mu\text{F}$                                 |       | 0.160                 |                |                              |
| $V_{EN(\text{high})}$            | Enable high (enabled)  | $V_{IN} \leq 5.5\text{ V}$  |   | 1.2   |                       | $6.5^{(4)}$    | V                            |
|                                  |  | $5.5\text{ V} < V_{IN} \leq 6.5\text{ V}$   |   | 1.25  |                       | 6.5            |                              |
| $V_{EN(\text{low})}$             | Enable low (shutdown)  |   |   | 0     |                       | 0.4            | V                            |
| $I_{EN(\text{high})}$            | Enable pin current, enabled  | $EN = 6.5\text{ V}$   |   |       | 0.02                  | 1.0            | $\mu\text{A}$                |
| UVLO                             | Undervoltage lockout   | $V_{IN}$ rising   |   |       | 2.45                  | 2.49           | V                            |
|                                  | Hysteresis   | $V_{IN}$ falling  |   |       | 150                   |                | mV                           |
| $T_{sd}$                         | Thermal shutdown temperature   | Shutdown, temperature increasing  |   |       | 160                   |                | $^\circ\text{C}$             |
|                                  |  | Reset, temperature decreasing   |   |       | 140                   |                |                              |
| $T_J$                            | Operating junction temperature   |   |   | -40   |                       | 125            | $^\circ\text{C}$             |

(1) Minimum  $V_{IN} = V_{OUT} + V_{DO}$  or  $2.5\text{ V}$ , whichever is greater.

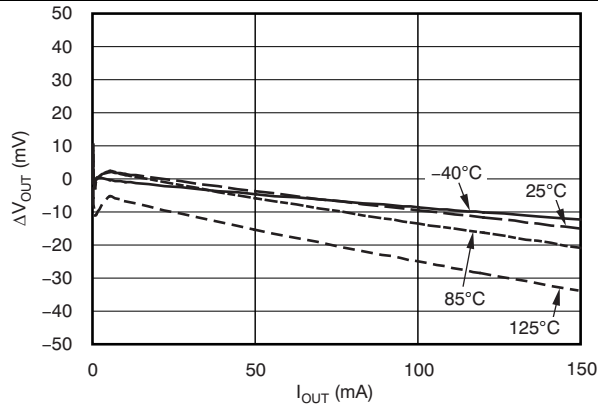
(2) Does not include external resistor tolerances.

(3)  $V_{DO}$  is not measured for devices with  $V_{OUT(nom)} < 2.6\text{ V}$  because the minimum  $V_{IN}$  is  $2.5\text{ V}$ .

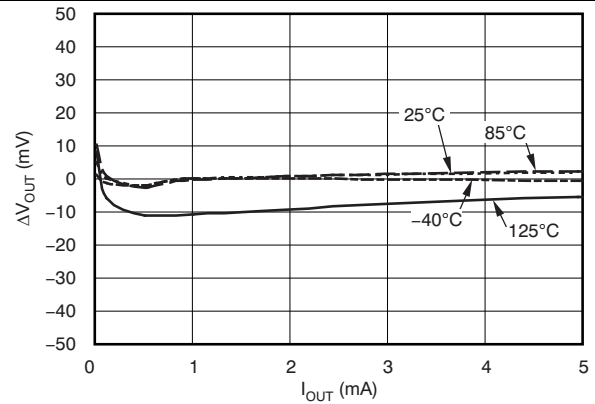
(4) Maximum  $V_{EN(\text{high})} = V_{IN} + 0.3$  or  $6.5\text{ V}$ , whichever is smaller.

## 6.6 Typical Characteristics

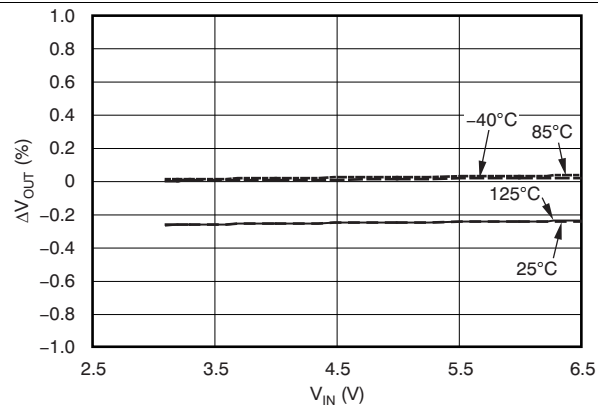
Over operating temperature range ( $T_J = -40^\circ\text{C}$  to  $125^\circ\text{C}$ ),  $V_{IN} = V_{OUT(nom)} + 0.5\text{ V}$  or  $2.5\text{ V}$ , whichever is greater;  $I_{OUT} = 0.5\text{ mA}$ ,  $V_{EN} = V_{IN}$ ,  $C_{OUT} = 1\ \mu\text{F}$ ,  $C_{NR} = 0.01\ \mu\text{F}$ , unless otherwise noted. For the adjustable version (TPS71701,)  $V_{OUT} = 2.8\text{ V}$ . Typical values are at  $T_A = 25^\circ\text{C}$ .



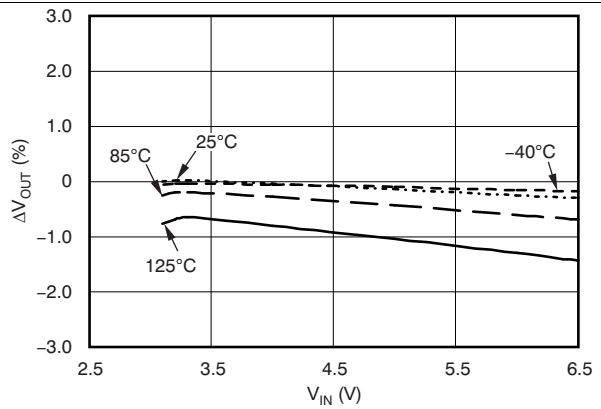
**Figure 1. Load Regulation**



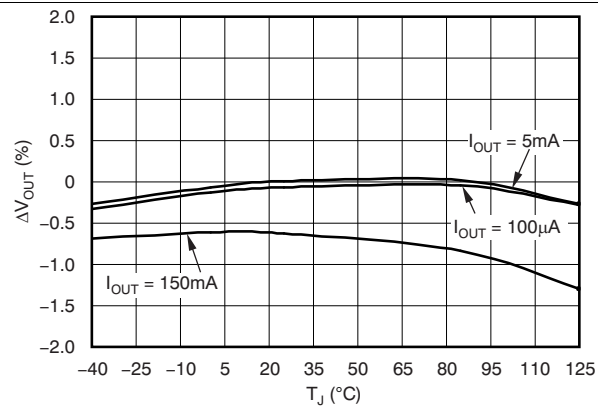
**Figure 2. Load Regulation Under Light Loads**



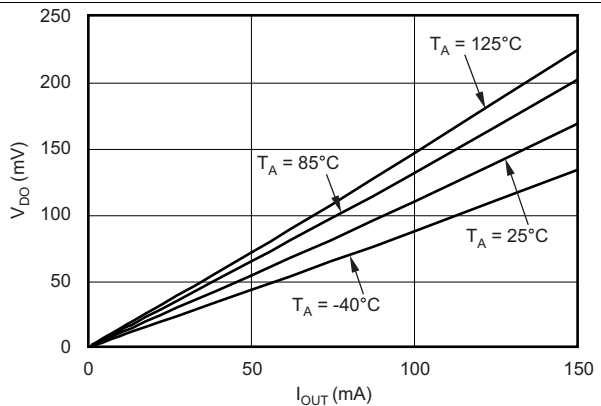
**Figure 3. Line Regulation ( $I_{OUT} = 5\text{ mA}$ )**



**Figure 4. Line Regulation ( $I_{OUT} = 150\text{ mA}$ )**



**Figure 5. Output Voltage vs Temperature**



**Figure 6. Dropout Voltage vs Output Current**

### Typical Characteristics (continued)

Over operating temperature range ( $T_J = -40^{\circ}\text{C}$  to  $125^{\circ}\text{C}$ ),  $V_{IN} = V_{OUT(nom)} + 0.5\text{ V}$  or  $2.5\text{ V}$ , whichever is greater;  $I_{OUT} = 0.5\text{ mA}$ ,  $V_{EN} = V_{IN}$ ,  $C_{OUT} = 1\text{ }\mu\text{F}$ ,  $C_{NR} = 0.01\text{ }\mu\text{F}$ , unless otherwise noted. For the adjustable version (TPS71701,)  $V_{OUT} = 2.8\text{ V}$ . Typical values are at  $T_A = 25^{\circ}\text{C}$ .

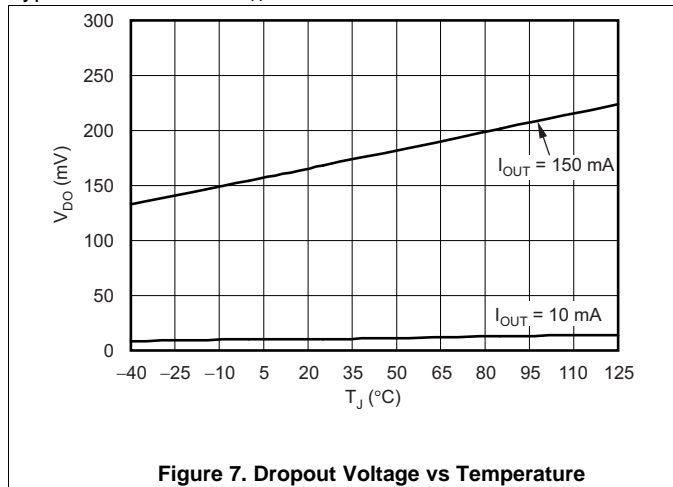


Figure 7. Dropout Voltage vs Temperature

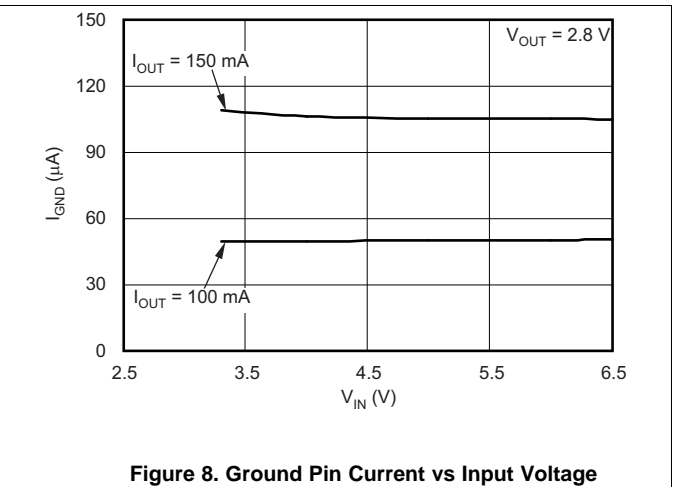


Figure 8. Ground Pin Current vs Input Voltage

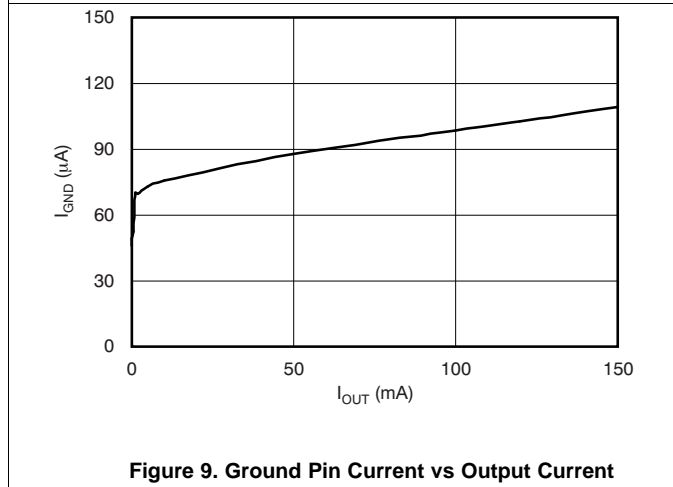


Figure 9. Ground Pin Current vs Output Current

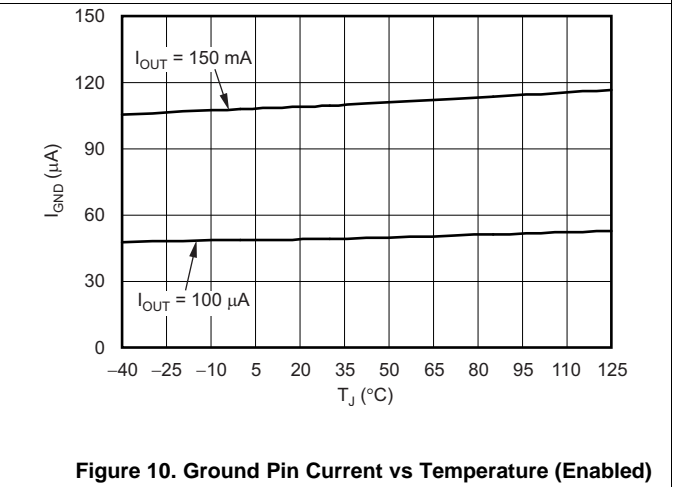


Figure 10. Ground Pin Current vs Temperature (Enabled)

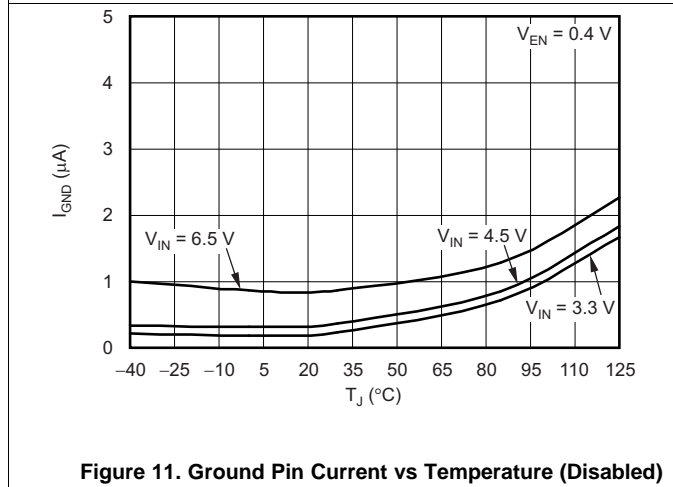


Figure 11. Ground Pin Current vs Temperature (Disabled)

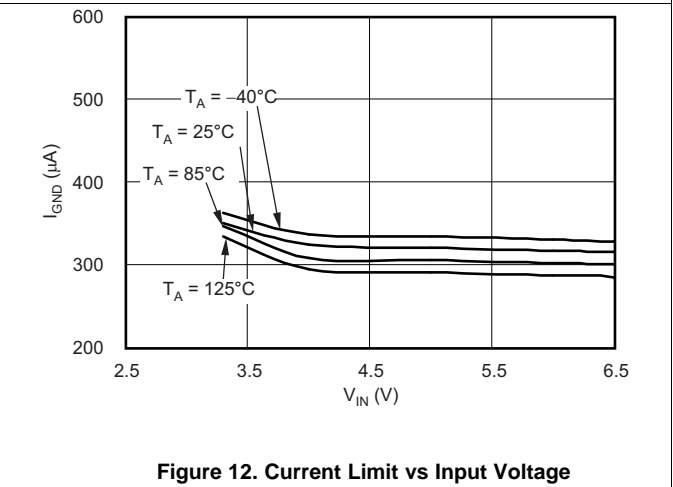


Figure 12. Current Limit vs Input Voltage



Typical Characteristics (continued)

Over operating temperature range ( $T_J = -40^{\circ}\text{C}$  to  $125^{\circ}\text{C}$ ),  $V_{IN} = V_{OUT(nom)} + 0.5\text{ V}$  or  $2.5\text{ V}$ , whichever is greater;  $I_{OUT} = 0.5\text{ mA}$ ,  $V_{EN} = V_{IN}$ ,  $C_{OUT} = 1\text{ }\mu\text{F}$ ,  $C_{NR} = 0.01\text{ }\mu\text{F}$ , unless otherwise noted. For the adjustable version (TPS71701,)  $V_{OUT} = 2.8\text{ V}$ . Typical values are at  $T_A = 25^{\circ}\text{C}$ .

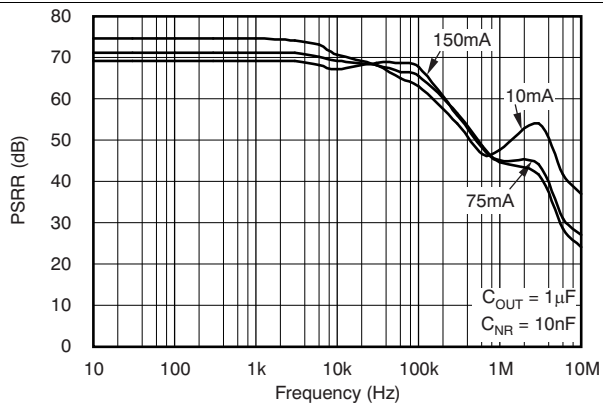


Figure 13. Power-Supply Ripple Rejection vs Frequency ( $V_{IN} - V_{OUT} = 1\text{ V}$ )

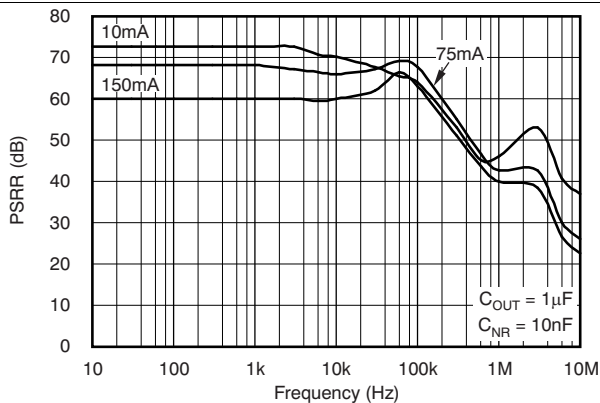


Figure 14. Power-Supply Ripple Rejection vs Frequency ( $V_{IN} - V_{OUT} = 0.5\text{ V}$ )

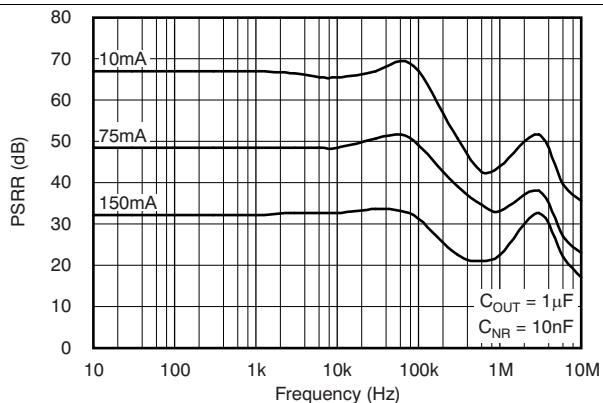


Figure 15. Power-Supply Ripple Rejection vs Frequency in Dropout Conditions ( $V_{IN} - V_{OUT} = 0.25\text{ V}$ )

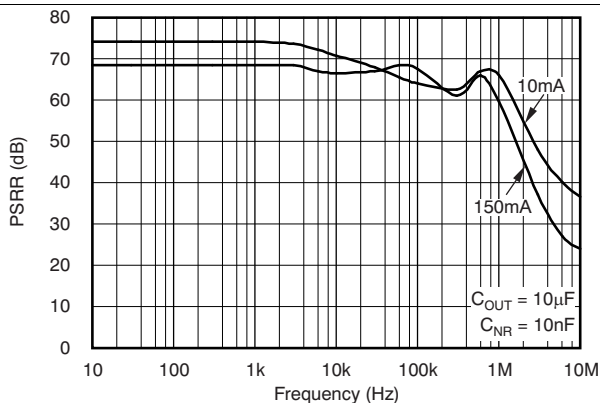


Figure 16. Power-Supply Ripple Rejection vs Frequency ( $V_{IN} - V_{OUT} = 1\text{ V}$ )

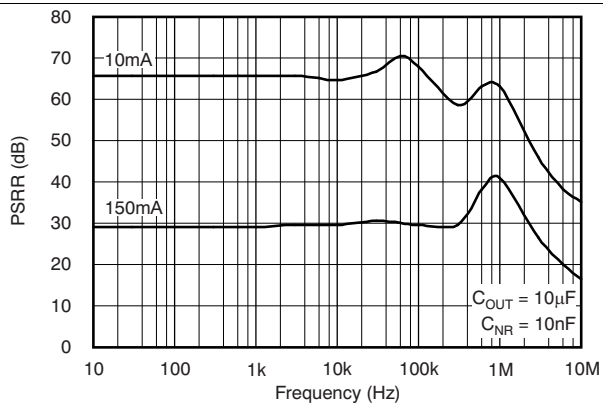


Figure 17. Power-Supply Ripple Rejection vs Frequency in Dropout Conditions ( $V_{IN} - V_{OUT} = 0.25\text{ V}$ )

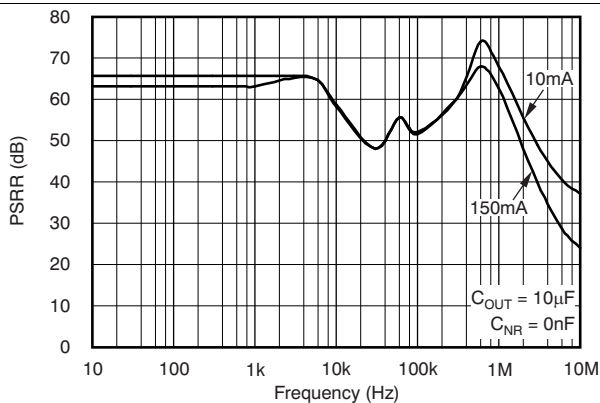
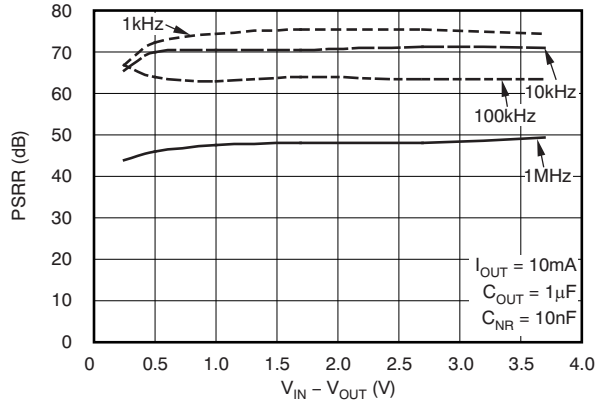


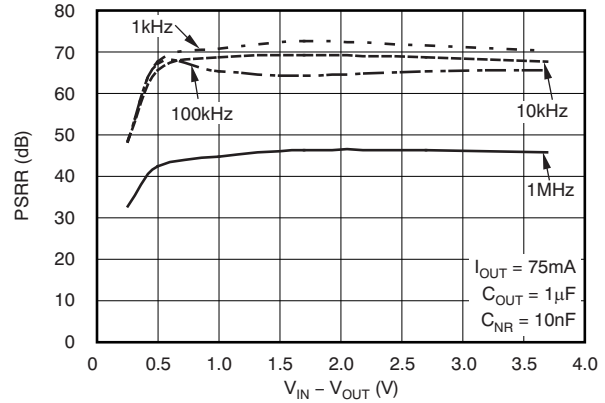
Figure 18. Power-Supply Ripple Rejection vs Frequency ( $V_{IN} - V_{OUT} = 1\text{ V}$ )

**Typical Characteristics (continued)**

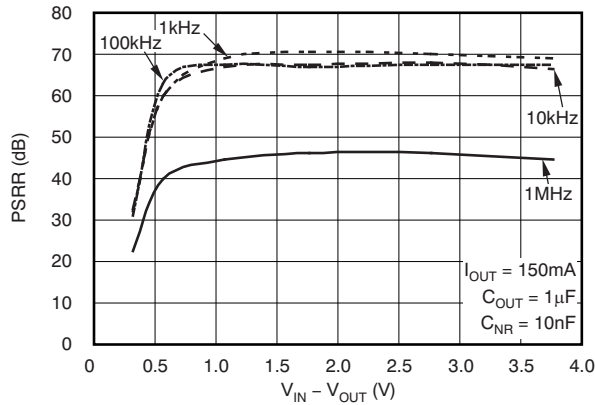
Over operating temperature range ( $T_J = -40^{\circ}\text{C}$  to  $125^{\circ}\text{C}$ ),  $V_{IN} = V_{OUT(nom)} + 0.5\text{ V}$  or  $2.5\text{ V}$ , whichever is greater;  $I_{OUT} = 0.5\text{ mA}$ ,  $V_{EN} = V_{IN}$ ,  $C_{OUT} = 1\text{ }\mu\text{F}$ ,  $C_{NR} = 0.01\text{ }\mu\text{F}$ , unless otherwise noted. For the adjustable version (TPS71701,)  $V_{OUT} = 2.8\text{ V}$ . Typical values are at  $T_A = 25^{\circ}\text{C}$ .



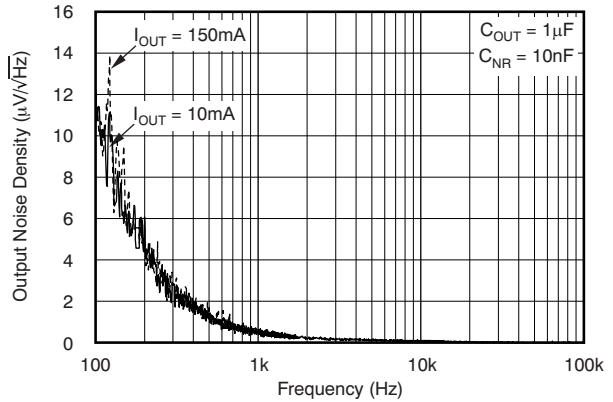
**Figure 19. Power-Supply Ripple Rejection vs ( $V_{IN} - V_{OUT}$ )**



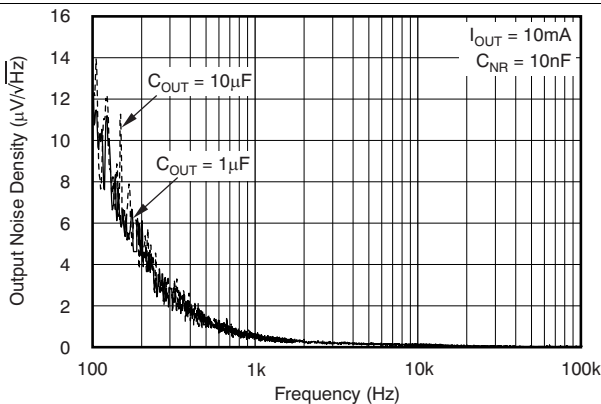
**Figure 20. Power-Supply Ripple Rejection vs ( $V_{IN} - V_{OUT}$ )**



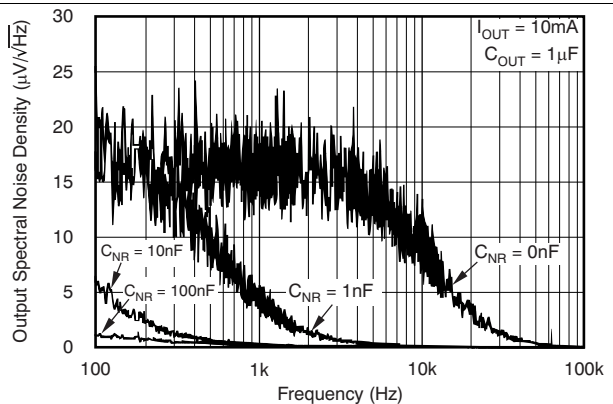
**Figure 21. Power-Supply Ripple Rejection vs ( $V_{IN} - V_{OUT}$ )**



**Figure 22. Output Spectral Noise Density vs Output Current**



**Figure 23. Output Spectral Noise Density vs Output Capacitance**



**Figure 24. Output Spectral Noise Density vs Noise Reduction**

Typical Characteristics (continued)

Over operating temperature range ( $T_J = -40^{\circ}\text{C}$  to  $125^{\circ}\text{C}$ ),  $V_{IN} = V_{OUT(nom)} + 0.5\text{ V}$  or  $2.5\text{ V}$ , whichever is greater;  $I_{OUT} = 0.5\text{ mA}$ ,  $V_{EN} = V_{IN}$ ,  $C_{OUT} = 1\text{ }\mu\text{F}$ ,  $C_{NR} = 0.01\text{ }\mu\text{F}$ , unless otherwise noted. For the adjustable version (TPS71701,)  $V_{OUT} = 2.8\text{ V}$ . Typical values are at  $T_A = 25^{\circ}\text{C}$ .

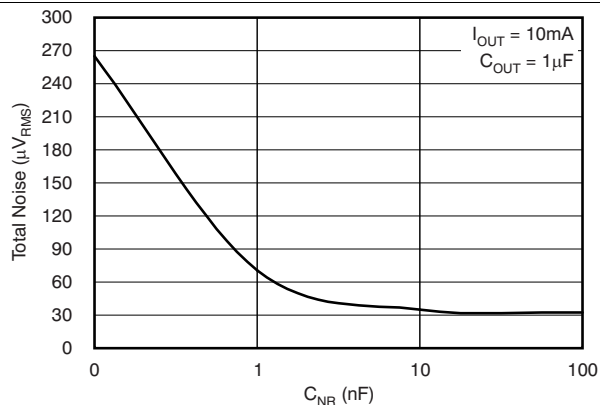


Figure 25. Total Output Noise vs Noise Reduction Capacitor

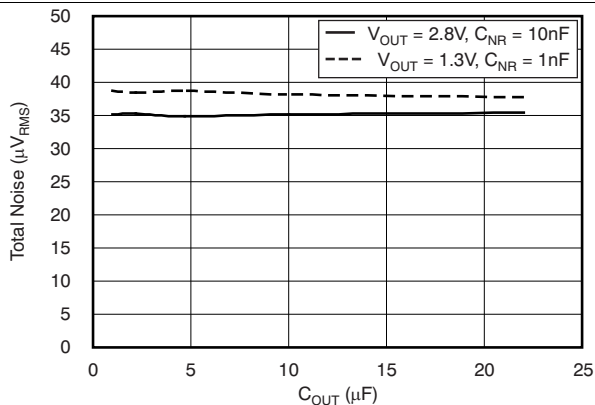


Figure 26. Total Output Noise vs Output Capacitance

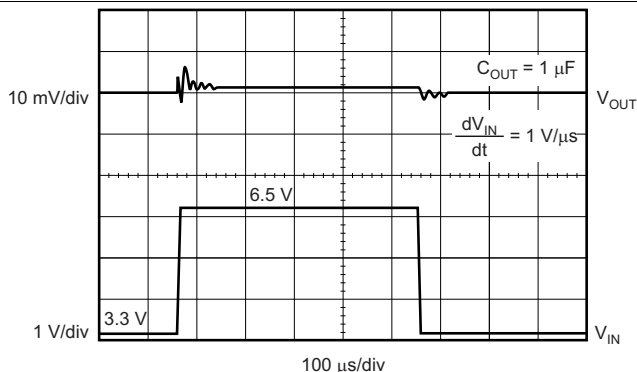


Figure 27. Line Transient Response

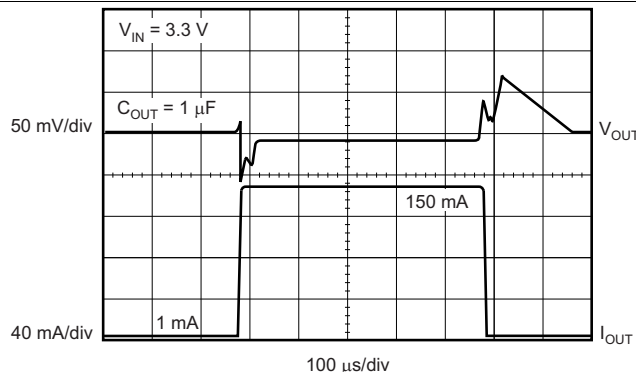


Figure 28. Load Transient Response

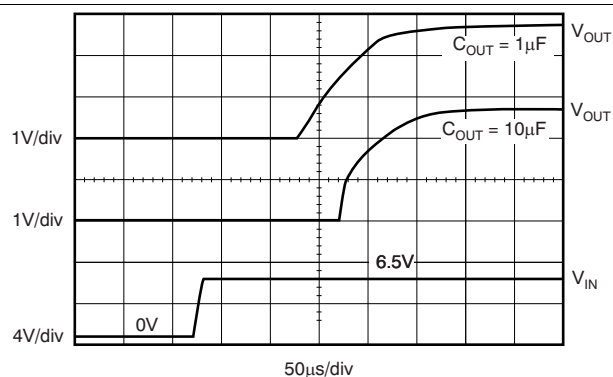


Figure 29. Turn-On Response

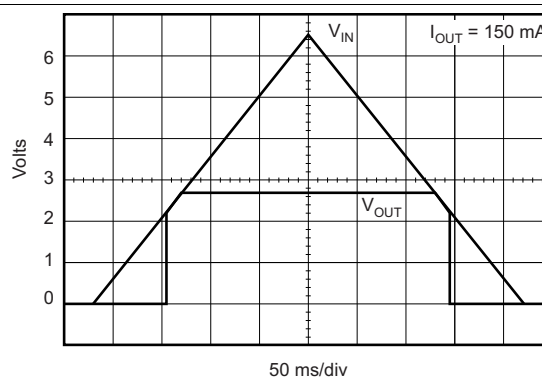


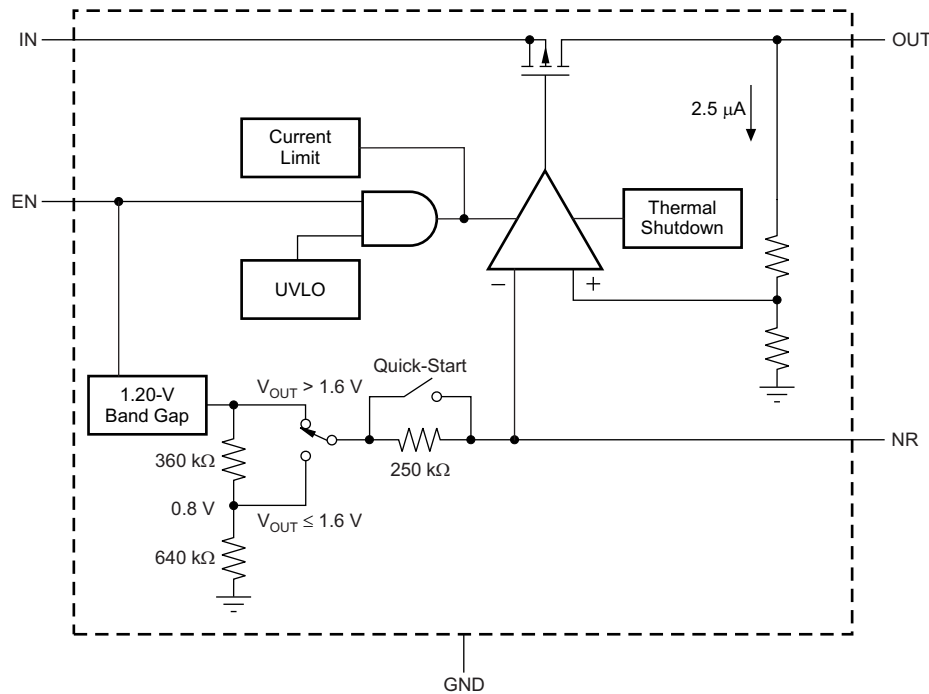
Figure 30. Power-Up and Power-Down

## 7 Detailed Description

### 7.1 Overview

The TPS717 family of low-dropout (LDO) regulators combines the high performance required by many RF and precision analog applications with ultra-low current consumption. High PSRR is provided by a high-gain, high-bandwidth error loop with good supply rejection with very low headroom ( $V_{IN} - V_{OUT}$ ). Fixed voltage versions provide a noise reduction pin to bypass noise generated by the band-gap reference and to improve PSRR. A quick-start circuit fast-charges this capacitor at startup. The combination of high performance and low ground current also make the TPS717 family of devices an excellent choice for battery-powered applications. All versions have thermal and overcurrent protection.

### 7.2 Functional Block Diagrams



**Figure 31. Fixed Voltage Versions**

## Functional Block Diagrams (continued)

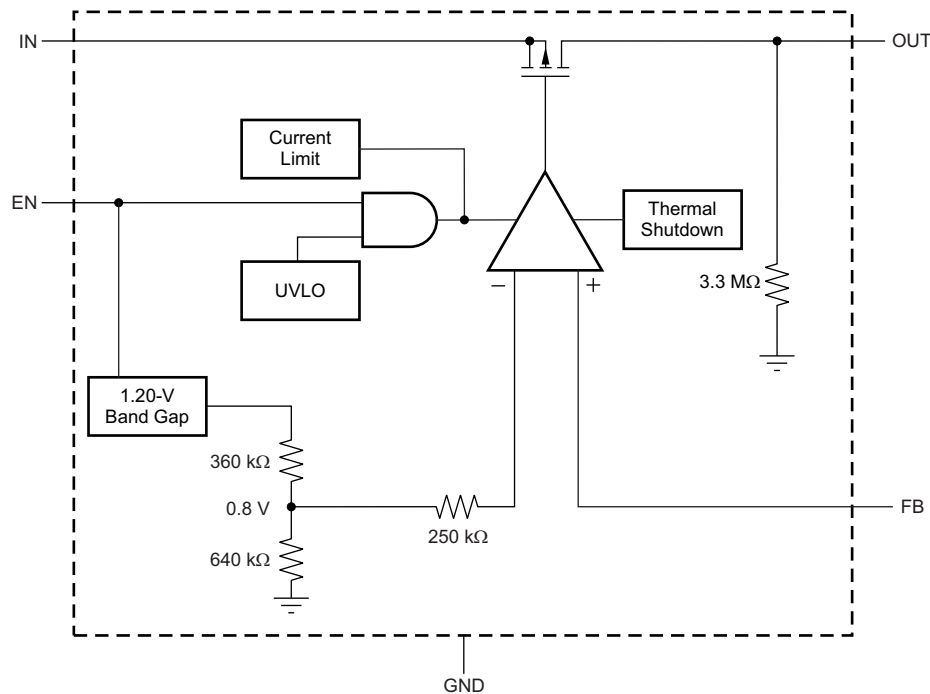


Figure 32. Adjustable Voltage Version

## 7.3 Feature Description

### 7.3.1 Internal Current Limit

The TPS717 internal current limit helps protect the regulator during fault conditions. During current limit, the output sources a fixed amount of current that is largely independent of output voltage. For reliable operation, do not operate the device in a current-limit state for extended periods of time.

The PMOS pass element in the TPS717 has a built-in body diode that conducts current when the voltage at OUT exceeds the voltage at IN. This current is not limited, so if extended reverse voltage operation is anticipated, external limiting may be appropriate.

### 7.3.2 Shutdown

The enable pin (EN) is active high and compatible with standard and low voltage, TTL-CMOS levels. When shutdown capability is not required, EN can be connected to IN.

### 7.3.3 Startup and Noise Reduction Capacitor

Fixed voltage versions of the TPS717 use a quick-start circuit to fast-charge the noise reduction capacitor,  $C_{NR}$ , if present (see [Figure 31](#)). This circuit allows the combination of very low output noise and fast start-up times. The NR pin is high impedance, so a low-leakage  $C_{NR}$  capacitor must be used; most ceramic capacitors are appropriate in this configuration.

Note that for fastest startup, apply  $V_{IN}$  first, then drive the enable pin high. If EN is tied to IN, startup is somewhat slower. The quick-start switch is closed for approximately 135  $\mu$ s. To ensure that  $C_{NR}$  is fully charged during the quick-start time, use a 0.01- $\mu$ F or smaller capacitor.

## Feature Description (continued)

For output voltages below 1.6 V, a voltage divider on the band-gap reference voltage is employed to optimize output regulation performance for lower output voltages. This configuration results in an additional resistor in the quick-start path and combined with the noise reduction capacitor ( $C_{NR}$ ) results in slower start-up times for output voltages below 1.6 V.

**Equation 1** approximates the start-up time as a function of  $C_{NR}$  for output voltages below 1.6 V:

$$t_{START} = 160\mu\text{s} + (540 \frac{\mu\text{s}}{\text{nF}} \times C_{NR}\text{nF})\mu\text{s} \quad (1)$$

### 7.3.4 Undervoltage Lockout (UVLO)

The TPS717 uses an undervoltage lockout circuit to keep the output shut off until the internal circuitry is operating properly. The UVLO circuit has a limited glitch immunity so undershoot transients are typically ignored on the input if these transients are less than 5  $\mu\text{s}$  in duration. When the input is lower than 1.4 V, the UVLO circuit may not have enough headroom to keep the output fully off.

### 7.3.5 Minimum Load

The TPS717 is stable with no output load. Traditional PMOS LDO regulators suffer from lower loop gain at very light output loads. The TPS717 employs an innovative low-current mode circuit to increase loop gain under very light or no-load conditions, resulting in improved output voltage regulation performance down to zero output current.

### 7.3.6 Thermal Protection

Thermal protection disables the output when the junction temperature rises to approximately 160°C, allowing the device to cool. When the junction temperature cools to approximately 140°C the output circuitry is again enabled. Depending on power dissipation, thermal resistance, and ambient temperature, the thermal protection circuit can cycle on and off. This cycling limits the dissipation of the regulator, protecting it from damage because of overheating.

Any tendency to activate the thermal protection circuit indicates excessive power dissipation or an inadequate heatsink. For reliable operation, limit junction temperature to 125°C maximum. To estimate the margin of safety in a complete design (including heatsink), increase the ambient temperature until the thermal protection is triggered; use worst-case loads and signal conditions. For good reliability, trigger thermal protection at least 35°C above the maximum expected ambient condition of a particular application. This configuration produces a worst-case junction temperature of 125°C at the highest expected ambient temperature and worst-case load.

The internal protection circuitry of the TPS717 is designed to protect against overload conditions. This circuitry is not intended to replace proper heatsinking. Continuously running the TPS717 into thermal shutdown degrades device reliability.

## 7.4 Device Functional Modes

### 7.4.1 Normal Operation

The device regulates to the nominal output voltage under the following conditions:

- The input voltage has previously exceeded the UVLO rising voltage and has not decreased below the UVLO falling threshold
- The input voltage is greater than the nominal output voltage added to the dropout voltage
- The enable voltage has previously exceeded the enable rising threshold voltage and has not decreased below the enable falling threshold
- The output current is less than the current limit
- The device junction temperature is less than or equal to the maximum specified operating junction temperature

## Device Functional Modes (continued)

### 7.4.2 Dropout Operation

If the input voltage is lower than the nominal output voltage plus the specified dropout voltage, but all other conditions are met for normal operation, the device operates in dropout mode. In this condition, the output voltage is the same as the input voltage minus the dropout voltage. The transient performance of the device is significantly degraded because the pass device is in a triode state and no longer controls the current through the LDO. Line or load transients in dropout can result in large output voltage deviations.

### 7.4.3 Disabled

The device is disabled under the following conditions:

- The input voltage is less than the UVLO falling voltage, or has not yet exceeded the UVLO rising threshold.
- The enable voltage is less than the enable falling threshold voltage or has not yet exceeded the enable rising threshold.
- The device junction temperature is greater than the thermal shutdown temperature.

[Table 1](#) shows the conditions that lead to the different modes of operation.

**Table 1. Device Functional Mode Comparison**

| OPERATING MODE  | PARAMETER  |                         |                     |                      |
|---|--|-------------------------|---------------------|----------------------|
|   | $V_{IN}$   | $V_{EN}$                | $I_{OUT}$           | $T_J$                |
| Normal mode   | $V_{IN} > V_{OUT(nom)} + V_{DO}$ and $V_{IN} > UVLO$ | $V_{EN} > V_{EN(high)}$ | $I_{OUT} < I_{LIM}$ | $T_J < 125^{\circ}C$ |
| Dropout mode  | $UVLO < V_{IN} < V_{OUT(nom)} + V_{DO}$              | $V_{EN} > V_{EN(high)}$ | —                   | $T_J < 125^{\circ}C$ |
| Disabled mode<br>(any true condition disables the device) | $V_{IN} < UVLO - V_{hys}$                            | $V_{EN} < V_{EN(low)}$  | —                   | $T_J > 160^{\circ}C$ |

## 8 Application and Implementation

### NOTE

Information in the following applications sections is not part of the TI component specification, and TI does not warrant its accuracy or completeness. TI's customers are responsible for determining suitability of components for their purposes. Customers should validate and test their design implementation to confirm system functionality.

### 8.1 Application Information

The TPS717 belongs to a family of new generation LDO regulators that use innovative circuitry to achieve ultra-wide bandwidth and high loop gain, resulting in extremely high PSRR at very low headroom ( $V_{IN} - V_{OUT}$ ). Fixed voltage versions provide a noise reduction pin to bypass noise generated by the band-gap reference and to improve PSRR when a quick-start circuit fast-charges this capacitor. These features, combined with low noise, enable, low ground pin current, and ultra-small packaging, make this part ideal for many applications. This family of regulators offers sub-band-gap output voltages, current limit, and thermal protection, and is fully specified from  $-40^{\circ}\text{C}$  to  $125^{\circ}\text{C}$ .

#### 8.1.1 Transient Response

As with any regulator, increasing the size of the output capacitor reduces overshoot or undershoot magnitude but increases duration of the transient. The TPS717 has an ultra-wide loop bandwidth that allows it to respond quickly to load transient events. As with any regulator, the loop bandwidth is finite and the initial transient voltage peak is controlled by the sizing of the output capacitor. Typically, larger output capacitors reduce the peak and also reduce the bandwidth of the LDO, thus slowing the response time.

#### 8.1.2 Input and Output Capacitor Requirements

Although an input capacitor is not required for stability, good analog design practice is to connect a 0.1- $\mu\text{F}$  or larger low equivalent series resistance (ESR) capacitor from IN to GND near the regulator. This capacitor counteracts reactive input sources and improves transient response, noise rejection, and ripple rejection. A higher-value capacitor may be necessary if large, fast rise-time load transients are anticipated or if the device is located several inches from the power source. If source impedance is not sufficiently low, a 0.1- $\mu\text{F}$  input capacitor may be necessary to ensure stability.

The TPS717 is designed to be stable with ceramic output capacitors of values 1  $\mu\text{F}$  or larger. The X5R- and X7R-type capacitors are best because they have minimal variation in value and ESR over temperature. The maximum ESR of the output capacitor must be less than 1  $\Omega$ . The minimum output capacitance is increased to 5  $\mu\text{F}$  or larger if using an  $R_2$  value outside of the range of 160 k $\Omega$  to 320 k $\Omega$ .

#### 8.1.3 Dropout Voltage

The TPS717 uses a PMOS pass transistor to achieve low dropout. When ( $V_{IN} - V_{OUT}$ ) is less than the dropout voltage ( $V_{DO}$ ), the PMOS pass device is in its linear region of operation and the input-to-output resistance is the  $R_{DSon}$  of the PMOS pass element.  $V_{DO}$  scales approximately with output current because the PMOS device functions as a resistor in dropout.

As with any linear regulator, PSRR and transient response are degraded when ( $V_{IN} - V_{OUT}$ ) approaches dropout. This effect is illustrated in [Figure 15](#) through [Figure 17](#) in the [Typical Characteristics](#) section.



## Application Information (continued)

### 8.1.4 Output Noise

In most LDOs, the band gap is the dominant noise source. If a noise reduction capacitor ( $C_{NR}$ ) is used with the TPS717, the band gap does not contribute significantly to noise. Instead, noise is dominated by the output resistor divider and the error amplifier input. To minimize noise in a given application, use a 0.01- $\mu$ F (minimum) noise reduction capacitor; for the adjustable version, smaller value resistors in the output resistor divider reduce noise. A parallel combination that gives 2.5  $\mu$ A of divider current has the same noise performance as a fixed voltage version.

Equation 2 approximates the total noise referred to the feedback point (FB pin) when  $C_{NR} = 0.01 \mu\text{F}$ :

$$V_N = 11.5 \frac{\mu\text{V}_{\text{RMS}}}{\text{V}} \times V_{\text{OUT}} \quad (2)$$

## 8.2 Typical Applications

### 8.2.1 Application for Fixed Voltage Versions and Adjustable Voltage Version

Figure 33 shows the basic circuit connections for the fixed voltage options. Figure 34 gives the connections for the adjustable output version (TPS71701). **Note that the NR pin is not available on the adjustable version.**

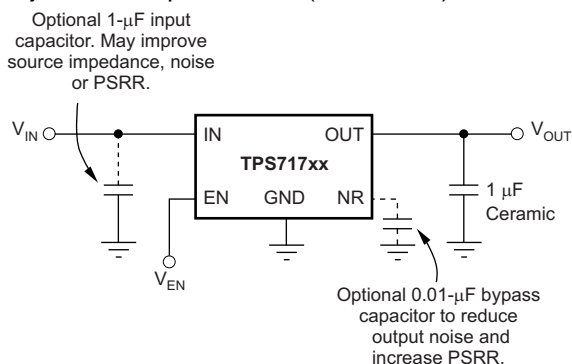


Figure 33. Typical Application Circuit (Fixed Voltage Versions)

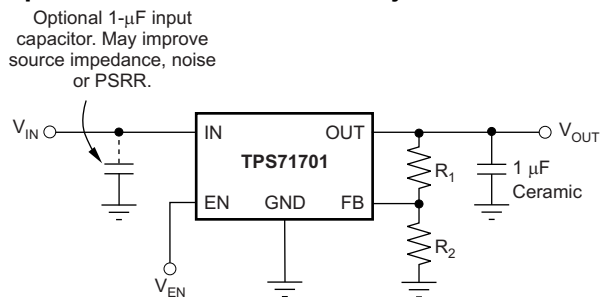


Figure 34. Typical Application Circuit (Adjustable Voltage Version)

#### 8.2.1.1 Design Requirements

Table 2 summarizes the design requirements for Figure 36.

Table 2. Design Parameters

| PARAMETER                          | DESIGN REQUIREMENT          |
|------------------------------------|-----------------------------|
| Input voltage                      | 3.3 V, $\pm 10\%$           |
| Output voltage                     | 2.8 V, $\pm 5\%$            |
| Output current                     | 100 mA typical, 150 mA peak |
| Output voltage transient deviation | 5%                          |
| Maximum ambient temperature        | 85°C                        |

#### 8.2.1.2 Detailed Design Procedure

For the adjustable version (TPS71701), the NR pin is replaced with a feedback (FB) pin. The voltage on this pin sets the output voltage and is determined by the values of  $R_1$  and  $R_2$ . The values of  $R_1$  and  $R_2$  can be calculated for any voltage using the formula given in Equation 3:

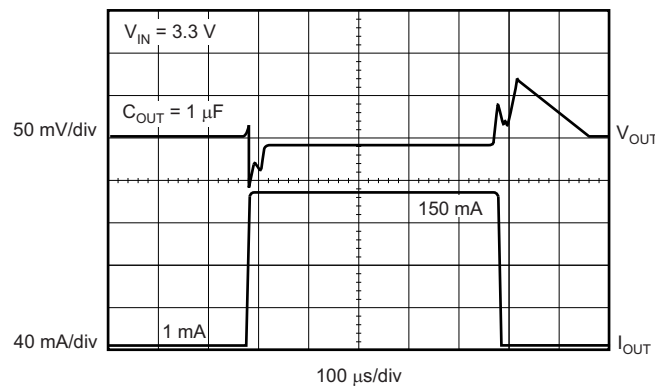
$$R_1 = R_2 \times \left( \frac{V_{\text{OUT}}}{V_{\text{FB}} - 1} \right) \quad (3)$$

The value of  $R_2$  directly impacts the operation of the device and must be chosen in the range of approximately 160 k $\Omega$  to 320 k $\Omega$ . Sample resistor values for common output voltages are shown in Table 3.

**Table 3. Sample 1% Resistor Values for Common Output Voltages**

| V <sub>OUT</sub> | R <sub>1</sub>  | R <sub>2</sub> |
|------------------|-----------------|----------------|
| 1                | 80.6 k $\Omega$ | 324 k $\Omega$ |
| 1.2              | 162 k $\Omega$  | 324 k $\Omega$ |
| 1.5              | 294 k $\Omega$  | 332 k $\Omega$ |
| 1.8              | 402 k $\Omega$  | 324 k $\Omega$ |
| 2.5              | 665 k $\Omega$  | 316 k $\Omega$ |
| 3.3              | 1.02 M $\Omega$ | 324 k $\Omega$ |
| 5                | 1.74 M $\Omega$ | 332 k $\Omega$ |

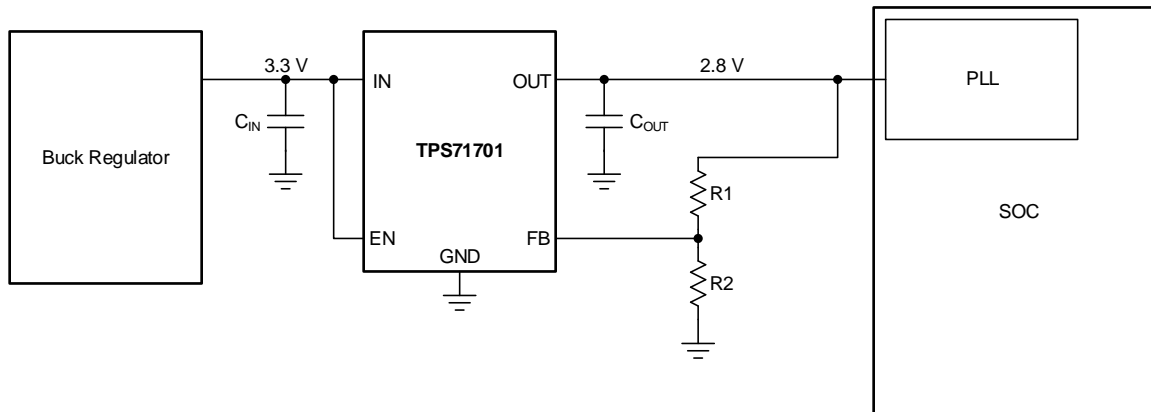
**8.2.1.3 Application Curve**



**Figure 35. Load Transient Response**

**8.2.2 Powering a PLL Integrated on an SOC**

Figure 36 shows the TPS71701 powering a phase-locked loop (PLL) that is integrated into a system-on-a-chip (SOC).



**Figure 36. Typical Application Circuit: PLL on an SOC**

Use the input and output capacitors to ensure the voltage transient requirements. A 1- $\mu$ F input and 1- $\mu$ F output capacitor are selected to maximize the capacitance and minimize capacitor size.

$R_2$  is chosen to be 158 k $\Omega$  for optimal noise and PSRR, and by Equation 4,  $R_1$  is selected to be 402 k $\Omega$ . Both  $R_1$  and  $R_2$  must be 1% tolerance resistors to meet the dc accuracy specification over line, load, and temperature.

### 8.3 Do's and Don'ts

Do place at least one 1- $\mu$ F ceramic capacitor as close as possible in the range of the regulator.

Do not place the output capacitor more than 10 mm away from the regulator.

Do not place any components in the feedback loop except for the output capacitor and feedback resistors.

Do not exceed the device absolute maximum ratings.

Do not float the enable (EN) pin.

## 9 Power Supply Recommendations

The TPS717 is designed to operate from an input voltage between 2.5 V and 6.5 V. The input supply must provide adequate headroom for the device to operate in a normal mode of operation.

Connect a low output impedance power supply directly to the IN pin of the TPS717. Inductive impedances between the input supply and the IN pin can create significant voltage excursions at the IN pin during startup or load transient events. If inductive impedances are unavoidable, use an input capacitor. To increase the overall PSRR of the power solution, use a pi-filter before the input of the LDO or after the feedback network of the LDO.

## 10 Layout

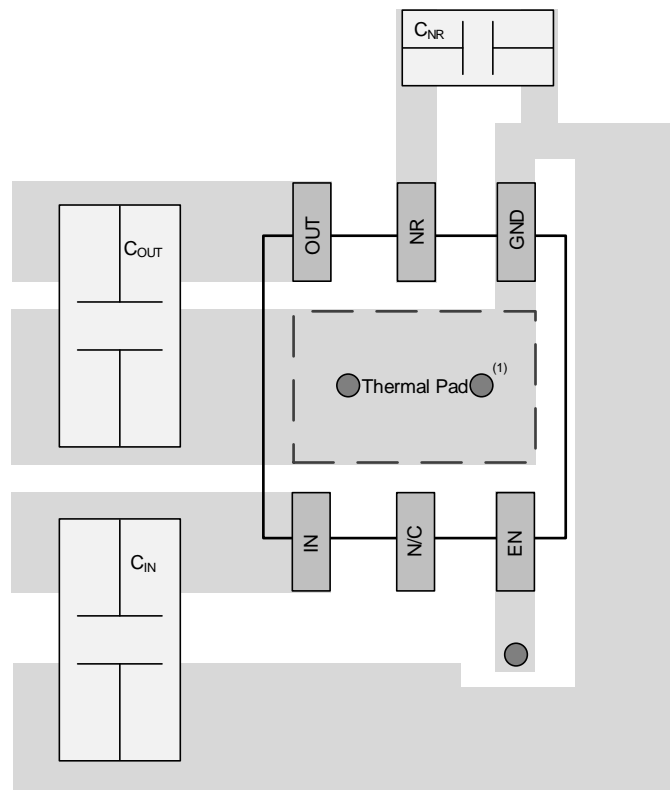
### 10.1 Layout Guidelines

For best overall performance, place all circuit components on the same side of the circuit board and as near as practical to the respective LDO pin connections. Place ground return connections to the input and output capacitor, and to the LDO ground pin as close to the GND pin as possible, connected by wide, component-side, copper surface area. The use of vias and long traces to create LDO component connections is strongly discouraged and negatively affects system performance. This grounding and layout scheme minimizes inductive parasitics, and thereby reduces load-current transients, minimizes noise, and increases circuit stability. A ground reference plane is also recommended and is either embedded in the printed circuit board (PCB) itself or located on the bottom side of the PCB opposite the components. This reference plane serves to assure accuracy of the output voltage, shields the LDO from noise, and functions similar to a thermal plane to spread (or sink) heat from the LDO device when connected to the thermal pad. In most applications, this ground plane is necessary to meet thermal requirements.

#### 10.1.1 Board Layout Recommendations to Improve PSRR and Noise Performance

To improve ac performance (such as PSRR, output noise, and transient response), TI recommends that the board be designed with separate ground planes for  $V_{IN}$  and  $V_{OUT}$ , with each ground plane connected only at the GND pin of the device. In addition, the ground connection for the bypass capacitor must connect directly to the GND pin of the device.

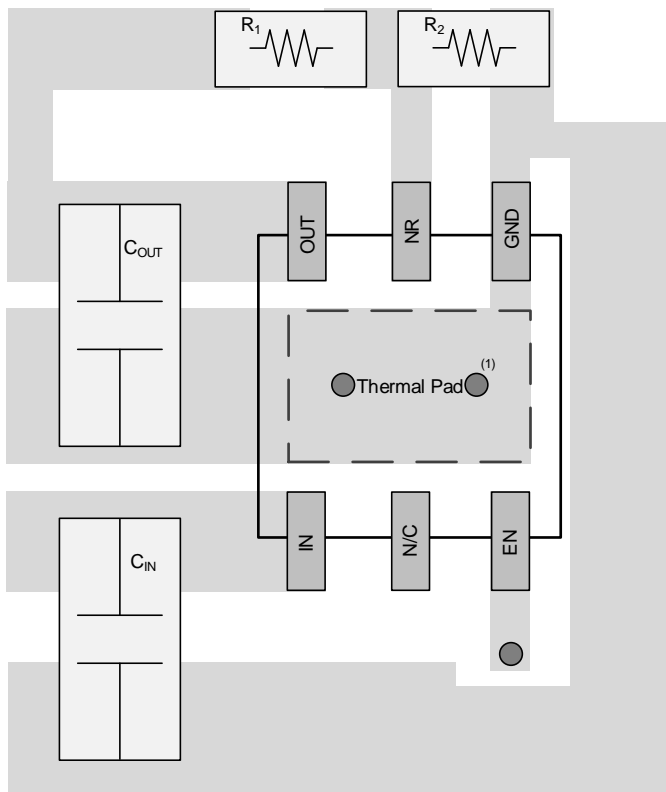
### 10.2 Layout Examples



- (1) Circles within thermal pad area indicate vias to other layers on the board, for electrical connections or thermal conduction.

**Figure 37. Fixed Voltage Layout**

Layout Examples (continued)



(1) Circles within thermal pad area indicate vias to other layers on the board, for electrical connections or thermal conduction.

Figure 38. Adjustable Voltage Layout

10.3 Power Dissipation

The ability to remove heat from the die is different for each package type, presenting different considerations in the printed circuit board (PCB) layout. The PCB area around the device that is free of other components moves the heat from the device to the ambient air. Performance data for JEDEC low- and high-K boards are given in the [Thermal Information](#) table. Using heavier copper increases the effectiveness in removing heat from the device. The addition of plated through-holes to heat-dissipating layers also improves the heatsink effectiveness.

Power dissipation depends on input voltage and load conditions. Power dissipation ( $P_D$ ) is equal to the product of the output current times the voltage drop across the output pass element ( $V_{IN}$  to  $V_{OUT}$ ), and is approximated in [Equation 4](#):

$$P_D = (V_{IN} - V_{OUT}) \times I_{OUT} \tag{4}$$

## Power Dissipation (continued)

A better method of estimating the thermal measure comes from using the thermal metrics  $\Psi_{JT}$  and  $\Psi_{JB}$ ; see the [Thermal Information](#) table. These metrics are a more accurate representation of the heat transfer characteristics of the die and the package than  $R_{\theta JA}$ . The junction temperature can be estimated with [Equation 5](#).

$$\Psi_{JT}: T_J = T_T + \Psi_{JT} \cdot P_D$$

$$\Psi_{JB}: T_J = T_B + \Psi_{JB} \cdot P_D$$

where

- $P_D$  is the power dissipation given by [Equation 4](#),
- $T_T$  is the temperature at the center-top of the device package,
- $T_B$  is the PCB temperature measured 1 mm away from the device package *on the PCB surface*. (5)

---

### NOTE

Both  $T_T$  and  $T_B$  can be measured on actual application boards using a thermo-gun (an infrared thermometer).

---

For more information about measuring  $T_T$  and  $T_B$ , see the application note *Using New Thermal Metrics* ([SBVA025](#)), available for download at [www.ti.com](#).

## 11 Device and Documentation Support

### 11.1 Device Support

#### 11.1.1 Development Support

##### 11.1.1.1 Evaluation Module

An evaluation module (EVM) is available to assist in the initial circuit performance evaluation using the TPS717. The [TPS717xxEVM-134 evaluation module](#) (and [related user's guide](#)) can be requested at the Texas Instruments website through the product folders or purchased directly from the [TI eStore](#).

#### 11.1.2 Device Nomenclature

**Table 4. Device Nomenclature<sup>(1)</sup>**

| PRODUCT         | V <sub>OUT</sub>   |
|-----------------|--|
| TPS717xx(x)yyyz | <p><b>xx(x)</b> is the nominal output voltage. For output voltages with a resolution of 100 mV, two digits are used in the ordering number; otherwise, three digits are used (for example, 28 = 2.8 V; 125 = 1.25 V). An <b>01</b> denotes an adjustable voltage version.</p> <p><b>yyy</b> is the package designator.</p> <p><b>z</b> is the package quantity. R is for a large reel (3000 pieces), T is for a small reel (250 pieces).</p> |

(1) For the most current package and ordering information see the Package Option Addendum at the end of this document, or visit the device product folder on [www.ti.com](http://www.ti.com).

### 11.2 Documentation Support

#### 11.2.1 Related Documentation

PMP10651 Test Results, [TIDUAE4](#)

*TPS717xxEVM-134 Evaluation Module User's Guide*, [SLVU148](#)

*Using New Thermal Metrics*, [SBVA025](#)

### 11.3 Community Resources

The following links connect to TI community resources. Linked contents are provided "AS IS" by the respective contributors. They do not constitute TI specifications and do not necessarily reflect TI's views; see TI's [Terms of Use](#).

**TI E2E™ Online Community** *TI's Engineer-to-Engineer (E2E) Community*. Created to foster collaboration among engineers. At [e2e.ti.com](http://e2e.ti.com), you can ask questions, share knowledge, explore ideas and help solve problems with fellow engineers.

**Design Support** *TI's Design Support* Quickly find helpful E2E forums along with design support tools and contact information for technical support.

## 11.4 Trademarks

E2E is a trademark of Texas Instruments.  
Bluetooth is a registered trademark of Bluetooth SIG, Inc.  
All other trademarks are the property of their respective owners.

## 11.5 Electrostatic Discharge Caution



This integrated circuit can be damaged by ESD. Texas Instruments recommends that all integrated circuits be handled with appropriate precautions. Failure to observe proper handling and installation procedures can cause damage.

ESD damage can range from subtle performance degradation to complete device failure. Precision integrated circuits may be more susceptible to damage because very small parametric changes could cause the device not to meet its published specifications.

## 11.6 Glossary

[SLYZ022](#) — *TI Glossary*.

This glossary lists and explains terms, acronyms, and definitions.

## 12 Mechanical, Packaging, and Orderable Information

The following pages include mechanical, packaging, and orderable information. This information is the most current data available for the designated devices. This data is subject to change without notice and revision of this document. For browser-based versions of this data sheet, refer to the left-hand navigation.



**PACKAGING INFORMATION**

| Orderable Device | Status<br>(1) | Package Type | Package Drawing | Pins | Package Qty | Eco Plan<br>(2)         | Lead/Ball Finish<br>(6) | MSL Peak Temp<br>(3) | Op Temp (°C) | Device Marking<br>(4/5) | Samples                 |
|------------------|---------------|--------------|-----------------|------|-------------|-------------------------|-------------------------|----------------------|--------------|-------------------------|-------------------------|
| TPS71701DCKR     | ACTIVE        | SC70         | DCK             | 5    | 3000        | Green (RoHS & no Sb/Br) | CU NIPDAU               | Level-1-260C-UNLIM   | -40 to 125   | BMT                     | <a href="#">Samples</a> |
| TPS71701DCKRG4   | ACTIVE        | SC70         | DCK             | 5    | 3000        | Green (RoHS & no Sb/Br) | CU NIPDAU               | Level-1-260C-UNLIM   | -40 to 125   | BMT                     | <a href="#">Samples</a> |
| TPS71701DCKT     | ACTIVE        | SC70         | DCK             | 5    | 250         | Green (RoHS & no Sb/Br) | CU NIPDAU               | Level-1-260C-UNLIM   | -40 to 125   | BMT                     | <a href="#">Samples</a> |
| TPS71701DCKTG4   | ACTIVE        | SC70         | DCK             | 5    | 250         | Green (RoHS & no Sb/Br) | CU NIPDAU               | Level-1-260C-UNLIM   | -40 to 125   | BMT                     | <a href="#">Samples</a> |
| TPS71709DSER     | ACTIVE        | WSON         | DSE             | 6    | 3000        | Green (RoHS & no Sb/Br) | CU NIPDAUAG             | Level-1-260C-UNLIM   | -40 to 125   | FY                      | <a href="#">Samples</a> |
| TPS71709DSERG4   | ACTIVE        | WSON         | DSE             | 6    | 3000        | Green (RoHS & no Sb/Br) | CU NIPDAUAG             | Level-1-260C-UNLIM   | -40 to 125   | FY                      | <a href="#">Samples</a> |
| TPS71709DSET     | ACTIVE        | WSON         | DSE             | 6    | 250         | Green (RoHS & no Sb/Br) | CU NIPDAUAG             | Level-1-260C-UNLIM   | -40 to 125   | FY                      | <a href="#">Samples</a> |
| TPS71709DSETG4   | ACTIVE        | WSON         | DSE             | 6    | 250         | Green (RoHS & no Sb/Br) | CU NIPDAUAG             | Level-1-260C-UNLIM   | -40 to 125   | FY                      | <a href="#">Samples</a> |
| TPS71710DCKR     | ACTIVE        | SC70         | DCK             | 5    | 3000        | Green (RoHS & no Sb/Br) | CU NIPDAU               | Level-1-260C-UNLIM   | -40 to 125   | BMU                     | <a href="#">Samples</a> |
| TPS71710DCKRG4   | ACTIVE        | SC70         | DCK             | 5    | 3000        | Green (RoHS & no Sb/Br) | CU NIPDAU               | Level-1-260C-UNLIM   | -40 to 125   | BMU                     | <a href="#">Samples</a> |
| TPS71710DCKT     | ACTIVE        | SC70         | DCK             | 5    | 250         | Green (RoHS & no Sb/Br) | CU NIPDAU               | Level-1-260C-UNLIM   | -40 to 125   | BMU                     | <a href="#">Samples</a> |
| TPS71710DCKTG4   | ACTIVE        | SC70         | DCK             | 5    | 250         | Green (RoHS & no Sb/Br) | CU NIPDAU               | Level-1-260C-UNLIM   | -40 to 125   | BMU                     | <a href="#">Samples</a> |
| TPS71710DRV      | ACTIVE        | WSON         | DRV             | 6    | 3000        | Green (RoHS & no Sb/Br) | CU NIPDAU               | Level-1-260C-UNLIM   | -40 to 125   | BMU                     | <a href="#">Samples</a> |
| TPS71710DRVRG4   | ACTIVE        | WSON         | DRV             | 6    | 3000        | Green (RoHS & no Sb/Br) | CU NIPDAU               | Level-1-260C-UNLIM   | -40 to 125   | BMU                     | <a href="#">Samples</a> |
| TPS71710DRVT     | ACTIVE        | WSON         | DRV             | 6    | 250         | Green (RoHS & no Sb/Br) | CU NIPDAU               | Level-1-260C-UNLIM   | -40 to 125   | BMU                     | <a href="#">Samples</a> |
| TPS71711DCKR     | ACTIVE        | SC70         | DCK             | 5    | 3000        | Green (RoHS & no Sb/Br) | CU NIPDAU               | Level-1-260C-UNLIM   | -40 to 125   | BRL                     | <a href="#">Samples</a> |
| TPS71711DCKRG4   | ACTIVE        | SC70         | DCK             | 5    | 3000        | Green (RoHS & no Sb/Br) | CU NIPDAU               | Level-1-260C-UNLIM   | -40 to 125   | BRL                     | <a href="#">Samples</a> |

| Orderable Device | Status<br>(1) | Package Type | Package Drawing | Pins | Package Qty | Eco Plan<br>(2)         | Lead/Ball Finish<br>(6) | MSL Peak Temp<br>(3) | Op Temp (°C) | Device Marking<br>(4/5) | Samples                 |
|------------------|---------------|--------------|-----------------|------|-------------|-------------------------|-------------------------|----------------------|--------------|-------------------------|-------------------------|
| TPS71711DCKT     | ACTIVE        | SC70         | DCK             | 5    | 250         | Green (RoHS & no Sb/Br) | CU NIPDAU               | Level-1-260C-UNLIM   | -40 to 125   | BRL                     | <a href="#">Samples</a> |
| TPS71711DCKTG4   | ACTIVE        | SC70         | DCK             | 5    | 250         | Green (RoHS & no Sb/Br) | CU NIPDAU               | Level-1-260C-UNLIM   | -40 to 125   | BRL                     | <a href="#">Samples</a> |
| TPS71712DCKR     | ACTIVE        | SC70         | DCK             | 5    | 3000        | Green (RoHS & no Sb/Br) | CU NIPDAU               | Level-1-260C-UNLIM   | -40 to 125   | CKE                     | <a href="#">Samples</a> |
| TPS71712DCKRG4   | ACTIVE        | SC70         | DCK             | 5    | 3000        | Green (RoHS & no Sb/Br) | CU NIPDAU               | Level-1-260C-UNLIM   | -40 to 125   | CKE                     | <a href="#">Samples</a> |
| TPS71712DCKT     | ACTIVE        | SC70         | DCK             | 5    | 250         | Green (RoHS & no Sb/Br) | CU NIPDAU               | Level-1-260C-UNLIM   | -40 to 125   | CKE                     | <a href="#">Samples</a> |
| TPS71712DCKTG4   | ACTIVE        | SC70         | DCK             | 5    | 250         | Green (RoHS & no Sb/Br) | CU NIPDAU               | Level-1-260C-UNLIM   | -40 to 125   | CKE                     | <a href="#">Samples</a> |
| TPS71713DCKR     | ACTIVE        | SC70         | DCK             | 5    | 3000        | Green (RoHS & no Sb/Br) | CU NIPDAU               | Level-1-260C-UNLIM   | -40 to 125   | BMW                     | <a href="#">Samples</a> |
| TPS71713DCKT     | ACTIVE        | SC70         | DCK             | 5    | 250         | Green (RoHS & no Sb/Br) | CU NIPDAU               | Level-1-260C-UNLIM   | -40 to 125   | BMW                     | <a href="#">Samples</a> |
| TPS71713DCKTG4   | ACTIVE        | SC70         | DCK             | 5    | 250         | Green (RoHS & no Sb/Br) | CU NIPDAU               | Level-1-260C-UNLIM   | -40 to 125   | BMW                     | <a href="#">Samples</a> |
| TPS71715DCKR     | ACTIVE        | SC70         | DCK             | 5    | 3000        | Green (RoHS & no Sb/Br) | CU NIPDAU               | Level-1-260C-UNLIM   | -40 to 125   | CAA                     | <a href="#">Samples</a> |
| TPS71715DCKT     | ACTIVE        | SC70         | DCK             | 5    | 250         | Green (RoHS & no Sb/Br) | CU NIPDAU               | Level-1-260C-UNLIM   | -40 to 125   | CAA                     | <a href="#">Samples</a> |
| TPS71715DCKTG4   | ACTIVE        | SC70         | DCK             | 5    | 250         | Green (RoHS & no Sb/Br) | CU NIPDAU               | Level-1-260C-UNLIM   | -40 to 125   | CAA                     | <a href="#">Samples</a> |
| TPS717185DSER    | ACTIVE        | WSON         | DSE             | 6    | 3000        | Green (RoHS & no Sb/Br) | CU NIPDAUAG             | Level-1-260C-UNLIM   | -40 to 125   | KB                      | <a href="#">Samples</a> |
| TPS717185DSET    | ACTIVE        | WSON         | DSE             | 6    | 250         | Green (RoHS & no Sb/Br) | CU NIPDAUAG             | Level-1-260C-UNLIM   | -40 to 125   | KB                      | <a href="#">Samples</a> |
| TPS71718DCKR     | ACTIVE        | SC70         | DCK             | 5    | 3000        | Green (RoHS & no Sb/Br) | CU NIPDAU               | Level-1-260C-UNLIM   | -40 to 125   | BMX                     | <a href="#">Samples</a> |
| TPS71718DCKRG4   | ACTIVE        | SC70         | DCK             | 5    | 3000        | Green (RoHS & no Sb/Br) | CU NIPDAU               | Level-1-260C-UNLIM   | -40 to 125   | BMX                     | <a href="#">Samples</a> |
| TPS71718DCKT     | ACTIVE        | SC70         | DCK             | 5    | 250         | Green (RoHS & no Sb/Br) | CU NIPDAU               | Level-1-260C-UNLIM   | -40 to 125   | BMX                     | <a href="#">Samples</a> |
| TPS71718DCKTG4   | ACTIVE        | SC70         | DCK             | 5    | 250         | Green (RoHS & no Sb/Br) | CU NIPDAU               | Level-1-260C-UNLIM   | -40 to 125   | BMX                     | <a href="#">Samples</a> |

| Orderable Device | Status<br>(1) | Package Type | Package Drawing | Pins | Package Qty | Eco Plan<br>(2)         | Lead/Ball Finish<br>(6) | MSL Peak Temp<br>(3) | Op Temp (°C) | Device Marking<br>(4/5) | Samples                 |
|------------------|---------------|--------------|-----------------|------|-------------|-------------------------|-------------------------|----------------------|--------------|-------------------------|-------------------------|
| TPS71718DSER     | ACTIVE        | WS0N         | DSE             | 6    | 3000        | Green (RoHS & no Sb/Br) | CU NIPDAUAG             | Level-1-260C-UNLIM   | -40 to 125   | G6                      | <a href="#">Samples</a> |
| TPS71718DSERG4   | ACTIVE        | WS0N         | DSE             | 6    | 3000        | Green (RoHS & no Sb/Br) | CU NIPDAUAG             | Level-1-260C-UNLIM   | -40 to 125   | G6                      | <a href="#">Samples</a> |
| TPS71718DSET     | ACTIVE        | WS0N         | DSE             | 6    | 250         | Green (RoHS & no Sb/Br) | CU NIPDAUAG             | Level-1-260C-UNLIM   | -40 to 125   | G6                      | <a href="#">Samples</a> |
| TPS71719DCKR     | ACTIVE        | SC70         | DCK             | 5    | 3000        | Green (RoHS & no Sb/Br) | CU NIPDAU               | Level-1-260C-UNLIM   | -40 to 125   | CCZ                     | <a href="#">Samples</a> |
| TPS71719DCKRG4   | ACTIVE        | SC70         | DCK             | 5    | 3000        | Green (RoHS & no Sb/Br) | CU NIPDAU               | Level-1-260C-UNLIM   | -40 to 125   | CCZ                     | <a href="#">Samples</a> |
| TPS71719DCKT     | ACTIVE        | SC70         | DCK             | 5    | 250         | Green (RoHS & no Sb/Br) | CU NIPDAU               | Level-1-260C-UNLIM   | -40 to 125   | CCZ                     | <a href="#">Samples</a> |
| TPS71719DCKTG4   | ACTIVE        | SC70         | DCK             | 5    | 250         | Green (RoHS & no Sb/Br) | CU NIPDAU               | Level-1-260C-UNLIM   | -40 to 125   | CCZ                     | <a href="#">Samples</a> |
| TPS71721DCKR     | ACTIVE        | SC70         | DCK             | 5    | 3000        | Green (RoHS & no Sb/Br) | CU NIPDAU               | Level-1-260C-UNLIM   | -40 to 125   | NXL                     | <a href="#">Samples</a> |
| TPS71721DCKT     | ACTIVE        | SC70         | DCK             | 5    | 250         | Green (RoHS & no Sb/Br) | CU NIPDAU               | Level-1-260C-UNLIM   | -40 to 125   | NXL                     | <a href="#">Samples</a> |
| TPS71725DCKR     | ACTIVE        | SC70         | DCK             | 5    | 3000        | Green (RoHS & no Sb/Br) | CU NIPDAU               | Level-1-260C-UNLIM   | -40 to 125   | CAF                     | <a href="#">Samples</a> |
| TPS71725DCKRG4   | ACTIVE        | SC70         | DCK             | 5    | 3000        | Green (RoHS & no Sb/Br) | CU NIPDAU               | Level-1-260C-UNLIM   | -40 to 125   | CAF                     | <a href="#">Samples</a> |
| TPS71725DCKT     | ACTIVE        | SC70         | DCK             | 5    | 250         | Green (RoHS & no Sb/Br) | CU NIPDAU               | Level-1-260C-UNLIM   | -40 to 125   | CAF                     | <a href="#">Samples</a> |
| TPS71726DCKR     | ACTIVE        | SC70         | DCK             | 5    | 3000        | Green (RoHS & no Sb/Br) | CU NIPDAU               | Level-1-260C-UNLIM   | -40 to 125   | BRK                     | <a href="#">Samples</a> |
| TPS71726DCKT     | ACTIVE        | SC70         | DCK             | 5    | 250         | Green (RoHS & no Sb/Br) | CU NIPDAU               | Level-1-260C-UNLIM   | -40 to 125   | BRK                     | <a href="#">Samples</a> |
| TPS71726DCKTG4   | ACTIVE        | SC70         | DCK             | 5    | 250         | Green (RoHS & no Sb/Br) | CU NIPDAU               | Level-1-260C-UNLIM   | -40 to 125   | BRK                     | <a href="#">Samples</a> |
| TPS71727DCKR     | ACTIVE        | SC70         | DCK             | 5    | 3000        | Green (RoHS & no Sb/Br) | CU NIPDAU               | Level-1-260C-UNLIM   | -40 to 125   | BSC                     | <a href="#">Samples</a> |
| TPS71727DCKT     | ACTIVE        | SC70         | DCK             | 5    | 250         | Green (RoHS & no Sb/Br) | CU NIPDAU               | Level-1-260C-UNLIM   | -40 to 125   | BSC                     | <a href="#">Samples</a> |
| TPS71727DCKTG4   | ACTIVE        | SC70         | DCK             | 5    | 250         | Green (RoHS & no Sb/Br) | CU NIPDAU               | Level-1-260C-UNLIM   | -40 to 125   | BSC                     | <a href="#">Samples</a> |

| Orderable Device | Status<br>(1) | Package Type | Package Drawing | Pins | Package Qty | Eco Plan<br>(2)         | Lead/Ball Finish<br>(6) | MSL Peak Temp<br>(3) | Op Temp (°C) | Device Marking<br>(4/5) | Samples                 |
|------------------|---------------|--------------|-----------------|------|-------------|-------------------------|-------------------------|----------------------|--------------|-------------------------|-------------------------|
| TPS71727DSER     | ACTIVE        | WSON         | DSE             | 6    | 3000        | Green (RoHS & no Sb/Br) | CU NIPDAUAG             | Level-1-260C-UNLIM   | -40 to 125   | KU                      | <a href="#">Samples</a> |
| TPS71727DSET     | ACTIVE        | WSON         | DSE             | 6    | 250         | Green (RoHS & no Sb/Br) | CU NIPDAUAG             | Level-1-260C-UNLIM   | -40 to 125   | KU                      | <a href="#">Samples</a> |
| TPS717285DCKR    | ACTIVE        | SC70         | DCK             | 5    | 3000        | Green (RoHS & no Sb/Br) | CU NIPDAU               | Level-1-260C-UNLIM   | -40 to 125   | BRJ                     | <a href="#">Samples</a> |
| TPS717285DCKT    | ACTIVE        | SC70         | DCK             | 5    | 250         | Green (RoHS & no Sb/Br) | CU NIPDAU               | Level-1-260C-UNLIM   | -40 to 125   | BRJ                     | <a href="#">Samples</a> |
| TPS71728DCKR     | ACTIVE        | SC70         | DCK             | 5    | 3000        | Green (RoHS & no Sb/Br) | CU NIPDAU               | Level-1-260C-UNLIM   | -40 to 125   | BMZ                     | <a href="#">Samples</a> |
| TPS71728DCKRG4   | ACTIVE        | SC70         | DCK             | 5    | 3000        | Green (RoHS & no Sb/Br) | CU NIPDAU               | Level-1-260C-UNLIM   | -40 to 125   | BMZ                     | <a href="#">Samples</a> |
| TPS71728DCKT     | ACTIVE        | SC70         | DCK             | 5    | 250         | Green (RoHS & no Sb/Br) | CU NIPDAU               | Level-1-260C-UNLIM   | -40 to 125   | BMZ                     | <a href="#">Samples</a> |
| TPS71728DCKTG4   | ACTIVE        | SC70         | DCK             | 5    | 250         | Green (RoHS & no Sb/Br) | CU NIPDAU               | Level-1-260C-UNLIM   | -40 to 125   | BMZ                     | <a href="#">Samples</a> |
| TPS71728DSER     | ACTIVE        | WSON         | DSE             | 6    | 3000        | Green (RoHS & no Sb/Br) | CU NIPDAUAG             | Level-1-260C-UNLIM   | -40 to 125   | FU                      | <a href="#">Samples</a> |
| TPS71728DSERG4   | ACTIVE        | WSON         | DSE             | 6    | 3000        | Green (RoHS & no Sb/Br) | CU NIPDAUAG             | Level-1-260C-UNLIM   | -40 to 125   | FU                      | <a href="#">Samples</a> |
| TPS71728DSET     | ACTIVE        | WSON         | DSE             | 6    | 250         | Green (RoHS & no Sb/Br) | CU NIPDAUAG             | Level-1-260C-UNLIM   | -40 to 125   | FU                      | <a href="#">Samples</a> |
| TPS71728DSETG4   | ACTIVE        | WSON         | DSE             | 6    | 250         | Green (RoHS & no Sb/Br) | CU NIPDAUAG             | Level-1-260C-UNLIM   | -40 to 125   | FU                      | <a href="#">Samples</a> |
| TPS71729DCKR     | ACTIVE        | SC70         | DCK             | 5    | 3000        | Green (RoHS & no Sb/Br) | CU NIPDAU               | Level-1-260C-UNLIM   | -40 to 125   | CJR                     | <a href="#">Samples</a> |
| TPS71729DCKT     | ACTIVE        | SC70         | DCK             | 5    | 250         | Green (RoHS & no Sb/Br) | CU NIPDAU               | Level-1-260C-UNLIM   | -40 to 125   | CJR                     | <a href="#">Samples</a> |
| TPS71730DCKR     | ACTIVE        | SC70         | DCK             | 5    | 3000        | Green (RoHS & no Sb/Br) | CU NIPDAU               | Level-1-260C-UNLIM   | -40 to 125   | BNA                     | <a href="#">Samples</a> |
| TPS71730DCKRG4   | ACTIVE        | SC70         | DCK             | 5    | 3000        | Green (RoHS & no Sb/Br) | CU NIPDAU               | Level-1-260C-UNLIM   | -40 to 125   | BNA                     | <a href="#">Samples</a> |
| TPS71730DCKT     | ACTIVE        | SC70         | DCK             | 5    | 250         | Green (RoHS & no Sb/Br) | CU NIPDAU               | Level-1-260C-UNLIM   | -40 to 125   | BNA                     | <a href="#">Samples</a> |
| TPS71730DCKTG4   | ACTIVE        | SC70         | DCK             | 5    | 250         | Green (RoHS & no Sb/Br) | CU NIPDAU               | Level-1-260C-UNLIM   | -40 to 125   | BNA                     | <a href="#">Samples</a> |

| Orderable Device | Status<br>(1) | Package Type | Package Drawing | Pins | Package Qty | Eco Plan<br>(2)         | Lead/Ball Finish<br>(6) | MSL Peak Temp<br>(3) | Op Temp (°C) | Device Marking<br>(4/5) | Samples                 |
|------------------|---------------|--------------|-----------------|------|-------------|-------------------------|-------------------------|----------------------|--------------|-------------------------|-------------------------|
| TPS71733DCKR     | ACTIVE        | SC70         | DCK             | 5    | 3000        | Green (RoHS & no Sb/Br) | CU NIPDAU               | Level-1-260C-UNLIM   | -40 to 125   | BNB                     | <a href="#">Samples</a> |
| TPS71733DCKRG4   | ACTIVE        | SC70         | DCK             | 5    | 3000        | Green (RoHS & no Sb/Br) | CU NIPDAU               | Level-1-260C-UNLIM   | -40 to 125   | BNB                     | <a href="#">Samples</a> |
| TPS71733DCKT     | ACTIVE        | SC70         | DCK             | 5    | 250         | Green (RoHS & no Sb/Br) | CU NIPDAU               | Level-1-260C-UNLIM   | -40 to 125   | BNB                     | <a href="#">Samples</a> |
| TPS71733DCKTG4   | ACTIVE        | SC70         | DCK             | 5    | 250         | Green (RoHS & no Sb/Br) | CU NIPDAU               | Level-1-260C-UNLIM   | -40 to 125   | BNB                     | <a href="#">Samples</a> |
| TPS71733DRVR     | ACTIVE        | WSON         | DRV             | 6    | 3000        | Green (RoHS & no Sb/Br) | CU NIPDAU               | Level-1-260C-UNLIM   | -40 to 125   | BNB                     | <a href="#">Samples</a> |
| TPS71733DRVRG4   | ACTIVE        | WSON         | DRV             | 6    | 3000        | Green (RoHS & no Sb/Br) | CU NIPDAU               | Level-1-260C-UNLIM   | -40 to 125   | BNB                     | <a href="#">Samples</a> |
| TPS71733DRVT     | ACTIVE        | WSON         | DRV             | 6    | 250         | Green (RoHS & no Sb/Br) | CU NIPDAU               | Level-1-260C-UNLIM   | -40 to 125   | BNB                     | <a href="#">Samples</a> |
| TPS71733DRVTG4   | ACTIVE        | WSON         | DRV             | 6    | 250         | Green (RoHS & no Sb/Br) | CU NIPDAU               | Level-1-260C-UNLIM   | -40 to 125   | BNB                     | <a href="#">Samples</a> |
| TPS71733DSER     | ACTIVE        | WSON         | DSE             | 6    | 3000        | Green (RoHS & no Sb/Br) | CU NIPDAUAG             | Level-1-260C-UNLIM   | -40 to 125   | FV                      | <a href="#">Samples</a> |
| TPS71733DSET     | ACTIVE        | WSON         | DSE             | 6    | 250         | Green (RoHS & no Sb/Br) | CU NIPDAUAG             | Level-1-260C-UNLIM   | -40 to 125   | FV                      | <a href="#">Samples</a> |
| TPS71745DSER     | ACTIVE        | WSON         | DSE             | 6    | 3000        | Green (RoHS & no Sb/Br) | CU NIPDAU               | Level-1-260C-UNLIM   | -40 to 125   | GL                      | <a href="#">Samples</a> |
| TPS71745DSET     | ACTIVE        | WSON         | DSE             | 6    | 250         | Green (RoHS & no Sb/Br) | CU NIPDAU               | Level-1-260C-UNLIM   | -40 to 125   | GL                      | <a href="#">Samples</a> |
| TPS71750DSER     | ACTIVE        | WSON         | DSE             | 6    | 3000        | Green (RoHS & no Sb/Br) | CU NIPDAUAG             | Level-1-260C-UNLIM   | -40 to 125   | PD                      | <a href="#">Samples</a> |
| TPS71750DSET     | ACTIVE        | WSON         | DSE             | 6    | 250         | Green (RoHS & no Sb/Br) | CU NIPDAUAG             | Level-1-260C-UNLIM   | -40 to 125   | PD                      | <a href="#">Samples</a> |

(1) The marketing status values are defined as follows:

**ACTIVE:** Product device recommended for new designs.

**LIFEBUY:** TI has announced that the device will be discontinued, and a lifetime-buy period is in effect.

**NRND:** Not recommended for new designs. Device is in production to support existing customers, but TI does not recommend using this part in a new design.

**PREVIEW:** Device has been announced but is not in production. Samples may or may not be available.

**OBSOLETE:** TI has discontinued the production of the device.

(2) Eco Plan - The planned eco-friendly classification: Pb-Free (RoHS), Pb-Free (RoHS Exempt), or Green (RoHS & no Sb/Br) - please check <http://www.ti.com/productcontent> for the latest availability information and additional product content details.

**TBD:** The Pb-Free/Green conversion plan has not been defined.

**Pb-Free (RoHS):** TI's terms "Lead-Free" or "Pb-Free" mean semiconductor products that are compatible with the current RoHS requirements for all 6 substances, including the requirement that lead not exceed 0.1% by weight in homogeneous materials. Where designed to be soldered at high temperatures, TI Pb-Free products are suitable for use in specified lead-free processes.

**Pb-Free (RoHS Exempt):** This component has a RoHS exemption for either 1) lead-based flip-chip solder bumps used between the die and package, or 2) lead-based die adhesive used between the die and leadframe. The component is otherwise considered Pb-Free (RoHS compatible) as defined above.

**Green (RoHS & no Sb/Br):** TI defines "Green" to mean Pb-Free (RoHS compatible), and free of Bromine (Br) and Antimony (Sb) based flame retardants (Br or Sb do not exceed 0.1% by weight in homogeneous material)

(3) MSL, Peak Temp. - The Moisture Sensitivity Level rating according to the JEDEC industry standard classifications, and peak solder temperature.

(4) There may be additional marking, which relates to the logo, the lot trace code information, or the environmental category on the device.

(5) Multiple Device Markings will be inside parentheses. Only one Device Marking contained in parentheses and separated by a "~" will appear on a device. If a line is indented then it is a continuation of the previous line and the two combined represent the entire Device Marking for that device.

(6) Lead/Ball Finish - Orderable Devices may have multiple material finish options. Finish options are separated by a vertical ruled line. Lead/Ball Finish values may wrap to two lines if the finish value exceeds the maximum column width.

**Important Information and Disclaimer:** The information provided on this page represents TI's knowledge and belief as of the date that it is provided. TI bases its knowledge and belief on information provided by third parties, and makes no representation or warranty as to the accuracy of such information. Efforts are underway to better integrate information from third parties. TI has taken and continues to take reasonable steps to provide representative and accurate information but may not have conducted destructive testing or chemical analysis on incoming materials and chemicals. TI and TI suppliers consider certain information to be proprietary, and thus CAS numbers and other limited information may not be available for release.

In no event shall TI's liability arising out of such information exceed the total purchase price of the TI part(s) at issue in this document sold by TI to Customer on an annual basis.

#### **OTHER QUALIFIED VERSIONS OF TPS717 :**

- Automotive: [TPS717-Q1](#)

NOTE: Qualified Version Definitions:

- Automotive - Q100 devices qualified for high-reliability automotive applications targeting zero defects

## TAPE AND REEL INFORMATION



### QUADRANT ASSIGNMENTS FOR PIN 1 ORIENTATION IN TAPE



\*All dimensions are nominal

| Device       | Package Type | Package Drawing | Pins | SPQ  | Reel Diameter (mm) | Reel Width W1 (mm) | A0 (mm) | B0 (mm) | K0 (mm) | P1 (mm) | W (mm) | Pin1 Quadrant |
|--------------|--------------|-----------------|------|------|--------------------|--------------------|---------|---------|---------|---------|--------|---------------|
| TPS71701DCKR | SC70         | DCK             | 5    | 3000 | 179.0              | 8.4                | 2.25    | 2.4     | 1.22    | 4.0     | 8.0    | Q3            |
| TPS71701DCKR | SC70         | DCK             | 5    | 3000 | 178.0              | 9.0                | 2.4     | 2.5     | 1.2     | 4.0     | 8.0    | Q3            |
| TPS71701DCKT | SC70         | DCK             | 5    | 250  | 178.0              | 9.0                | 2.4     | 2.5     | 1.2     | 4.0     | 8.0    | Q3            |
| TPS71709DSE  | WS0N         | DSE             | 6    | 3000 | 179.0              | 8.4                | 1.8     | 1.8     | 1.0     | 4.0     | 8.0    | Q2            |
| TPS71709DSET | WS0N         | DSE             | 6    | 250  | 179.0              | 8.4                | 1.8     | 1.8     | 1.0     | 4.0     | 8.0    | Q2            |
| TPS71710DCKR | SC70         | DCK             | 5    | 3000 | 179.0              | 8.4                | 2.25    | 2.4     | 1.22    | 4.0     | 8.0    | Q3            |
| TPS71710DCKR | SC70         | DCK             | 5    | 3000 | 178.0              | 9.0                | 2.4     | 2.5     | 1.2     | 4.0     | 8.0    | Q3            |
| TPS71710DCKT | SC70         | DCK             | 5    | 250  | 178.0              | 9.0                | 2.4     | 2.5     | 1.2     | 4.0     | 8.0    | Q3            |
| TPS71710DCKT | SC70         | DCK             | 5    | 250  | 179.0              | 8.4                | 2.25    | 2.4     | 1.22    | 4.0     | 8.0    | Q3            |
| TPS71710DRVR | WS0N         | DRV             | 6    | 3000 | 179.0              | 8.4                | 2.2     | 2.2     | 1.2     | 4.0     | 8.0    | Q2            |
| TPS71710DRVT | WS0N         | DRV             | 6    | 250  | 179.0              | 8.4                | 2.2     | 2.2     | 1.2     | 4.0     | 8.0    | Q2            |
| TPS71711DCKR | SC70         | DCK             | 5    | 3000 | 178.0              | 9.0                | 2.4     | 2.5     | 1.2     | 4.0     | 8.0    | Q3            |
| TPS71711DCKR | SC70         | DCK             | 5    | 3000 | 179.0              | 8.4                | 2.25    | 2.4     | 1.22    | 4.0     | 8.0    | Q3            |
| TPS71711DCKT | SC70         | DCK             | 5    | 250  | 179.0              | 8.4                | 2.25    | 2.4     | 1.22    | 4.0     | 8.0    | Q3            |
| TPS71711DCKT | SC70         | DCK             | 5    | 250  | 178.0              | 9.0                | 2.4     | 2.5     | 1.2     | 4.0     | 8.0    | Q3            |
| TPS71712DCKR | SC70         | DCK             | 5    | 3000 | 179.0              | 8.4                | 2.25    | 2.4     | 1.22    | 4.0     | 8.0    | Q3            |
| TPS71712DCKR | SC70         | DCK             | 5    | 3000 | 178.0              | 9.0                | 2.4     | 2.5     | 1.2     | 4.0     | 8.0    | Q3            |
| TPS71712DCKT | SC70         | DCK             | 5    | 250  | 178.0              | 9.0                | 2.4     | 2.5     | 1.2     | 4.0     | 8.0    | Q3            |



| Device        | Package Type | Package Drawing | Pins | SPQ  | Reel Diameter (mm) | Reel Width W1 (mm) | A0 (mm) | B0 (mm) | K0 (mm) | P1 (mm) | W (mm) | Pin1 Quadrant |
|---------------|--------------|-----------------|------|------|--------------------|--------------------|---------|---------|---------|---------|--------|---------------|
| TPS71712DCKT  | SC70         | DCK             | 5    | 250  | 179.0              | 8.4                | 2.25    | 2.4     | 1.22    | 4.0     | 8.0    | Q3            |
| TPS71713DCKR  | SC70         | DCK             | 5    | 3000 | 179.0              | 8.4                | 2.25    | 2.4     | 1.22    | 4.0     | 8.0    | Q3            |
| TPS71713DCKR  | SC70         | DCK             | 5    | 3000 | 178.0              | 9.0                | 2.4     | 2.5     | 1.2     | 4.0     | 8.0    | Q3            |
| TPS71713DCKT  | SC70         | DCK             | 5    | 250  | 179.0              | 8.4                | 2.25    | 2.4     | 1.22    | 4.0     | 8.0    | Q3            |
| TPS71713DCKT  | SC70         | DCK             | 5    | 250  | 178.0              | 9.0                | 2.4     | 2.5     | 1.2     | 4.0     | 8.0    | Q3            |
| TPS71715DCKR  | SC70         | DCK             | 5    | 3000 | 179.0              | 8.4                | 2.2     | 2.5     | 1.2     | 4.0     | 8.0    | Q3            |
| TPS71715DCKR  | SC70         | DCK             | 5    | 3000 | 178.0              | 9.0                | 2.4     | 2.5     | 1.2     | 4.0     | 8.0    | Q3            |
| TPS71715DCKT  | SC70         | DCK             | 5    | 250  | 178.0              | 9.0                | 2.4     | 2.5     | 1.2     | 4.0     | 8.0    | Q3            |
| TPS71715DCKT  | SC70         | DCK             | 5    | 250  | 179.0              | 8.4                | 2.2     | 2.5     | 1.2     | 4.0     | 8.0    | Q3            |
| TPS717185DSER | WSON         | DSE             | 6    | 3000 | 179.0              | 8.4                | 1.8     | 1.8     | 1.0     | 4.0     | 8.0    | Q2            |
| TPS717185DSET | WSON         | DSE             | 6    | 250  | 179.0              | 8.4                | 1.8     | 1.8     | 1.0     | 4.0     | 8.0    | Q2            |
| TPS71718DCKR  | SC70         | DCK             | 5    | 3000 | 179.0              | 8.4                | 2.2     | 2.5     | 1.2     | 4.0     | 8.0    | Q3            |
| TPS71718DCKR  | SC70         | DCK             | 5    | 3000 | 178.0              | 9.0                | 2.4     | 2.5     | 1.2     | 4.0     | 8.0    | Q3            |
| TPS71718DCKT  | SC70         | DCK             | 5    | 250  | 178.0              | 9.0                | 2.4     | 2.5     | 1.2     | 4.0     | 8.0    | Q3            |
| TPS71718DCKT  | SC70         | DCK             | 5    | 250  | 179.0              | 8.4                | 2.2     | 2.5     | 1.2     | 4.0     | 8.0    | Q3            |
| TPS71718DSER  | WSON         | DSE             | 6    | 3000 | 179.0              | 8.4                | 1.8     | 1.8     | 1.0     | 4.0     | 8.0    | Q2            |
| TPS71718DSET  | WSON         | DSE             | 6    | 250  | 179.0              | 8.4                | 1.8     | 1.8     | 1.0     | 4.0     | 8.0    | Q2            |
| TPS71719DCKR  | SC70         | DCK             | 5    | 3000 | 178.0              | 9.0                | 2.4     | 2.5     | 1.2     | 4.0     | 8.0    | Q3            |
| TPS71719DCKR  | SC70         | DCK             | 5    | 3000 | 179.0              | 8.4                | 2.25    | 2.4     | 1.22    | 4.0     | 8.0    | Q3            |
| TPS71719DCKT  | SC70         | DCK             | 5    | 250  | 178.0              | 9.0                | 2.4     | 2.5     | 1.2     | 4.0     | 8.0    | Q3            |
| TPS71719DCKT  | SC70         | DCK             | 5    | 250  | 179.0              | 8.4                | 2.25    | 2.4     | 1.22    | 4.0     | 8.0    | Q3            |
| TPS71721DCKR  | SC70         | DCK             | 5    | 3000 | 179.0              | 8.4                | 2.2     | 2.5     | 1.2     | 4.0     | 8.0    | Q3            |
| TPS71721DCKR  | SC70         | DCK             | 5    | 3000 | 178.0              | 9.0                | 2.4     | 2.5     | 1.2     | 4.0     | 8.0    | Q3            |
| TPS71721DCKT  | SC70         | DCK             | 5    | 250  | 178.0              | 9.0                | 2.4     | 2.5     | 1.2     | 4.0     | 8.0    | Q3            |
| TPS71721DCKT  | SC70         | DCK             | 5    | 250  | 179.0              | 8.4                | 2.2     | 2.5     | 1.2     | 4.0     | 8.0    | Q3            |
| TPS71725DCKR  | SC70         | DCK             | 5    | 3000 | 178.0              | 9.0                | 2.4     | 2.5     | 1.2     | 4.0     | 8.0    | Q3            |
| TPS71725DCKR  | SC70         | DCK             | 5    | 3000 | 179.0              | 8.4                | 2.2     | 2.5     | 1.2     | 4.0     | 8.0    | Q3            |
| TPS71725DCKT  | SC70         | DCK             | 5    | 250  | 178.0              | 9.0                | 2.4     | 2.5     | 1.2     | 4.0     | 8.0    | Q3            |
| TPS71725DCKT  | SC70         | DCK             | 5    | 250  | 179.0              | 8.4                | 2.2     | 2.5     | 1.2     | 4.0     | 8.0    | Q3            |
| TPS71726DCKR  | SC70         | DCK             | 5    | 3000 | 178.0              | 9.0                | 2.4     | 2.5     | 1.2     | 4.0     | 8.0    | Q3            |
| TPS71726DCKR  | SC70         | DCK             | 5    | 3000 | 179.0              | 8.4                | 2.25    | 2.4     | 1.22    | 4.0     | 8.0    | Q3            |
| TPS71726DCKT  | SC70         | DCK             | 5    | 250  | 178.0              | 9.0                | 2.4     | 2.5     | 1.2     | 4.0     | 8.0    | Q3            |
| TPS71726DCKT  | SC70         | DCK             | 5    | 250  | 179.0              | 8.4                | 2.25    | 2.4     | 1.22    | 4.0     | 8.0    | Q3            |
| TPS71727DCKR  | SC70         | DCK             | 5    | 3000 | 179.0              | 8.4                | 2.25    | 2.4     | 1.22    | 4.0     | 8.0    | Q3            |
| TPS71727DCKR  | SC70         | DCK             | 5    | 3000 | 178.0              | 9.0                | 2.4     | 2.5     | 1.2     | 4.0     | 8.0    | Q3            |
| TPS71727DCKT  | SC70         | DCK             | 5    | 250  | 179.0              | 8.4                | 2.25    | 2.4     | 1.22    | 4.0     | 8.0    | Q3            |
| TPS71727DCKT  | SC70         | DCK             | 5    | 250  | 178.0              | 9.0                | 2.4     | 2.5     | 1.2     | 4.0     | 8.0    | Q3            |
| TPS71727DSER  | WSON         | DSE             | 6    | 3000 | 179.0              | 8.4                | 1.8     | 1.8     | 1.0     | 4.0     | 8.0    | Q2            |
| TPS71727DSET  | WSON         | DSE             | 6    | 250  | 179.0              | 8.4                | 1.8     | 1.8     | 1.0     | 4.0     | 8.0    | Q2            |
| TPS717285DCKR | SC70         | DCK             | 5    | 3000 | 178.0              | 9.0                | 2.4     | 2.5     | 1.2     | 4.0     | 8.0    | Q3            |
| TPS717285DCKR | SC70         | DCK             | 5    | 3000 | 179.0              | 8.4                | 2.25    | 2.4     | 1.22    | 4.0     | 8.0    | Q3            |
| TPS717285DCKT | SC70         | DCK             | 5    | 250  | 179.0              | 8.4                | 2.25    | 2.4     | 1.22    | 4.0     | 8.0    | Q3            |
| TPS717285DCKT | SC70         | DCK             | 5    | 250  | 178.0              | 9.0                | 2.4     | 2.5     | 1.2     | 4.0     | 8.0    | Q3            |



| Device       | Package Type | Package Drawing | Pins | SPQ  | Reel Diameter (mm) | Reel Width W1 (mm) | A0 (mm) | B0 (mm) | K0 (mm) | P1 (mm) | W (mm) | Pin1 Quadrant |
|--------------|--------------|-----------------|------|------|--------------------|--------------------|---------|---------|---------|---------|--------|---------------|
| TPS71728DCKR | SC70         | DCK             | 5    | 3000 | 178.0              | 9.0                | 2.4     | 2.5     | 1.2     | 4.0     | 8.0    | Q3            |
| TPS71728DCKR | SC70         | DCK             | 5    | 3000 | 179.0              | 8.4                | 2.2     | 2.5     | 1.2     | 4.0     | 8.0    | Q3            |
| TPS71728DCKT | SC70         | DCK             | 5    | 250  | 179.0              | 8.4                | 2.25    | 2.4     | 1.22    | 4.0     | 8.0    | Q3            |
| TPS71728DCKT | SC70         | DCK             | 5    | 250  | 178.0              | 9.0                | 2.4     | 2.5     | 1.2     | 4.0     | 8.0    | Q3            |
| TPS71728DSER | WSON         | DSE             | 6    | 3000 | 179.0              | 8.4                | 1.8     | 1.8     | 1.0     | 4.0     | 8.0    | Q2            |
| TPS71728DSET | WSON         | DSE             | 6    | 250  | 179.0              | 8.4                | 1.8     | 1.8     | 1.0     | 4.0     | 8.0    | Q2            |
| TPS71729DCKR | SC70         | DCK             | 5    | 3000 | 179.0              | 8.4                | 2.25    | 2.4     | 1.22    | 4.0     | 8.0    | Q3            |
| TPS71729DCKR | SC70         | DCK             | 5    | 3000 | 178.0              | 9.0                | 2.4     | 2.5     | 1.2     | 4.0     | 8.0    | Q3            |
| TPS71729DCKT | SC70         | DCK             | 5    | 250  | 178.0              | 9.0                | 2.4     | 2.5     | 1.2     | 4.0     | 8.0    | Q3            |
| TPS71729DCKT | SC70         | DCK             | 5    | 250  | 179.0              | 8.4                | 2.25    | 2.4     | 1.22    | 4.0     | 8.0    | Q3            |
| TPS71730DCKR | SC70         | DCK             | 5    | 3000 | 178.0              | 9.0                | 2.4     | 2.5     | 1.2     | 4.0     | 8.0    | Q3            |
| TPS71730DCKR | SC70         | DCK             | 5    | 3000 | 179.0              | 8.4                | 2.25    | 2.4     | 1.22    | 4.0     | 8.0    | Q3            |
| TPS71730DCKT | SC70         | DCK             | 5    | 250  | 179.0              | 8.4                | 2.25    | 2.4     | 1.22    | 4.0     | 8.0    | Q3            |
| TPS71730DCKT | SC70         | DCK             | 5    | 250  | 178.0              | 9.0                | 2.4     | 2.5     | 1.2     | 4.0     | 8.0    | Q3            |
| TPS71733DCKR | SC70         | DCK             | 5    | 3000 | 179.0              | 8.4                | 2.2     | 2.5     | 1.2     | 4.0     | 8.0    | Q3            |
| TPS71733DCKR | SC70         | DCK             | 5    | 3000 | 178.0              | 9.0                | 2.4     | 2.5     | 1.2     | 4.0     | 8.0    | Q3            |
| TPS71733DCKT | SC70         | DCK             | 5    | 250  | 179.0              | 8.4                | 2.25    | 2.4     | 1.22    | 4.0     | 8.0    | Q3            |
| TPS71733DCKT | SC70         | DCK             | 5    | 250  | 178.0              | 9.0                | 2.4     | 2.5     | 1.2     | 4.0     | 8.0    | Q3            |
| TPS71733DRVR | WSON         | DRV             | 6    | 3000 | 179.0              | 8.4                | 2.2     | 2.2     | 1.2     | 4.0     | 8.0    | Q2            |
| TPS71733DRVT | WSON         | DRV             | 6    | 250  | 179.0              | 8.4                | 2.2     | 2.2     | 1.2     | 4.0     | 8.0    | Q2            |
| TPS71733DSER | WSON         | DSE             | 6    | 3000 | 179.0              | 8.4                | 1.8     | 1.8     | 1.0     | 4.0     | 8.0    | Q2            |
| TPS71733DSET | WSON         | DSE             | 6    | 250  | 179.0              | 8.4                | 1.8     | 1.8     | 1.0     | 4.0     | 8.0    | Q2            |
| TPS71745DSER | WSON         | DSE             | 6    | 3000 | 179.0              | 8.4                | 1.8     | 1.8     | 1.0     | 4.0     | 8.0    | Q2            |
| TPS71745DSET | WSON         | DSE             | 6    | 250  | 179.0              | 8.4                | 1.8     | 1.8     | 1.0     | 4.0     | 8.0    | Q2            |
| TPS71750DSER | WSON         | DSE             | 6    | 3000 | 179.0              | 8.4                | 1.8     | 1.8     | 1.0     | 4.0     | 8.0    | Q2            |
| TPS71750DSET | WSON         | DSE             | 6    | 250  | 179.0              | 8.4                | 1.8     | 1.8     | 1.0     | 4.0     | 8.0    | Q2            |

**TAPE AND REEL BOX DIMENSIONS**


\*All dimensions are nominal

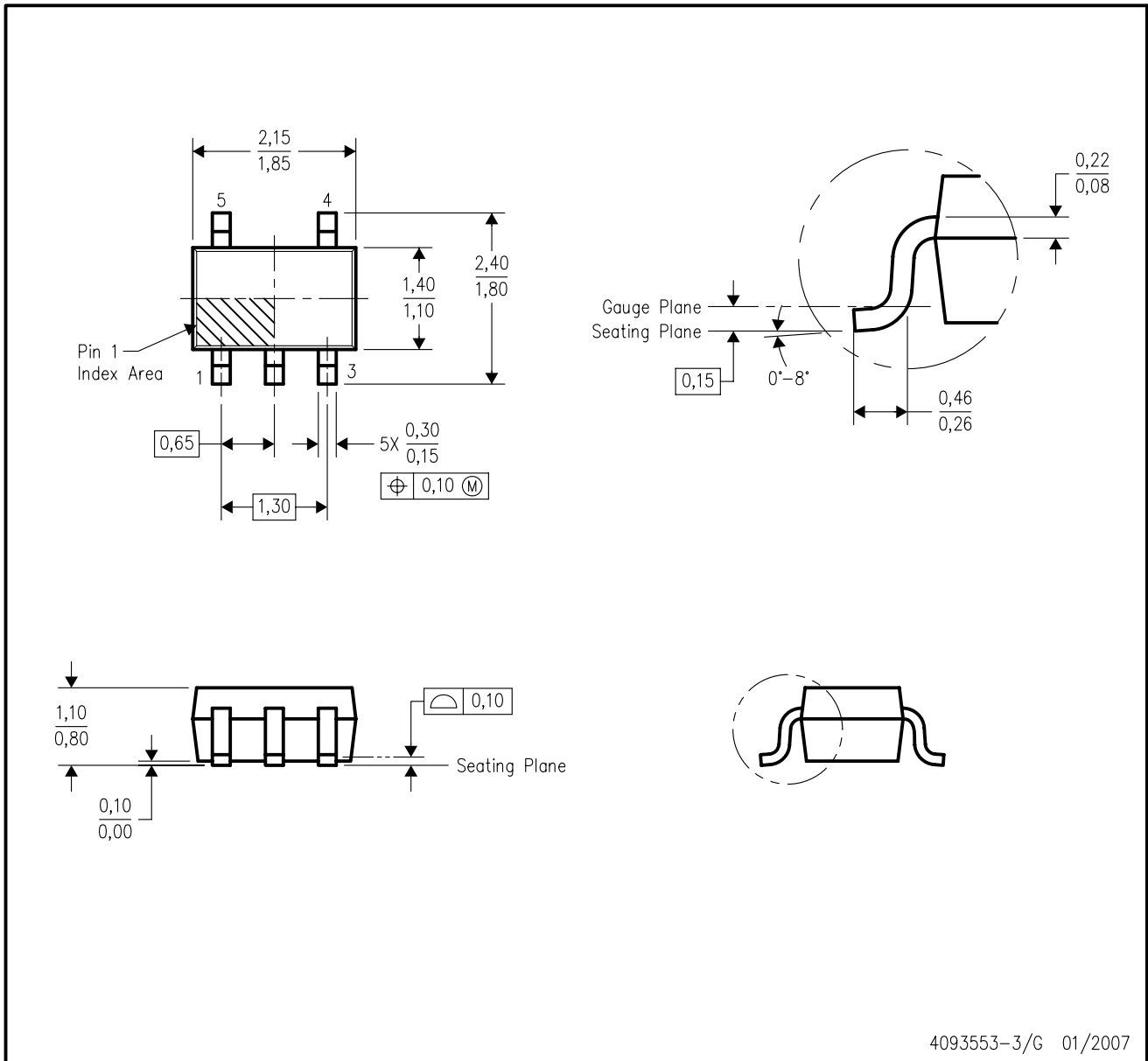
| Device       | Package Type | Package Drawing | Pins | SPQ  | Length (mm) | Width (mm) | Height (mm) |
|--------------|--------------|-----------------|------|------|-------------|------------|-------------|
| TPS71701DCKR | SC70         | DCK             | 5    | 3000 | 203.0       | 203.0      | 35.0        |
| TPS71701DCKR | SC70         | DCK             | 5    | 3000 | 180.0       | 180.0      | 18.0        |
| TPS71701DCKT | SC70         | DCK             | 5    | 250  | 180.0       | 180.0      | 18.0        |
| TPS71709DSER | WSON         | DSE             | 6    | 3000 | 203.0       | 203.0      | 35.0        |
| TPS71709DSET | WSON         | DSE             | 6    | 250  | 203.0       | 203.0      | 35.0        |
| TPS71710DCKR | SC70         | DCK             | 5    | 3000 | 203.0       | 203.0      | 35.0        |
| TPS71710DCKR | SC70         | DCK             | 5    | 3000 | 180.0       | 180.0      | 18.0        |
| TPS71710DCKT | SC70         | DCK             | 5    | 250  | 340.0       | 340.0      | 38.0        |
| TPS71710DCKT | SC70         | DCK             | 5    | 250  | 203.0       | 203.0      | 35.0        |
| TPS71710DRVR | WSON         | DRV             | 6    | 3000 | 203.0       | 203.0      | 35.0        |
| TPS71710DRVT | WSON         | DRV             | 6    | 250  | 203.0       | 203.0      | 35.0        |
| TPS71711DCKR | SC70         | DCK             | 5    | 3000 | 180.0       | 180.0      | 18.0        |
| TPS71711DCKR | SC70         | DCK             | 5    | 3000 | 203.0       | 203.0      | 35.0        |
| TPS71711DCKT | SC70         | DCK             | 5    | 250  | 203.0       | 203.0      | 35.0        |
| TPS71711DCKT | SC70         | DCK             | 5    | 250  | 340.0       | 340.0      | 38.0        |
| TPS71712DCKR | SC70         | DCK             | 5    | 3000 | 203.0       | 203.0      | 35.0        |
| TPS71712DCKR | SC70         | DCK             | 5    | 3000 | 180.0       | 180.0      | 18.0        |
| TPS71712DCKT | SC70         | DCK             | 5    | 250  | 180.0       | 180.0      | 18.0        |
| TPS71712DCKT | SC70         | DCK             | 5    | 250  | 203.0       | 203.0      | 35.0        |
| TPS71713DCKR | SC70         | DCK             | 5    | 3000 | 203.0       | 203.0      | 35.0        |

| Device        | Package Type | Package Drawing | Pins | SPQ  | Length (mm) | Width (mm) | Height (mm) |
|---------------|--------------|-----------------|------|------|-------------|------------|-------------|
| TPS71713DCKR  | SC70         | DCK             | 5    | 3000 | 180.0       | 180.0      | 18.0        |
| TPS71713DCKT  | SC70         | DCK             | 5    | 250  | 203.0       | 203.0      | 35.0        |
| TPS71713DCKT  | SC70         | DCK             | 5    | 250  | 180.0       | 180.0      | 18.0        |
| TPS71715DCKR  | SC70         | DCK             | 5    | 3000 | 203.0       | 203.0      | 35.0        |
| TPS71715DCKR  | SC70         | DCK             | 5    | 3000 | 180.0       | 180.0      | 18.0        |
| TPS71715DCKT  | SC70         | DCK             | 5    | 250  | 180.0       | 180.0      | 18.0        |
| TPS71715DCKT  | SC70         | DCK             | 5    | 250  | 203.0       | 203.0      | 35.0        |
| TPS717185DSER | WSON         | DSE             | 6    | 3000 | 203.0       | 203.0      | 35.0        |
| TPS717185DSET | WSON         | DSE             | 6    | 250  | 203.0       | 203.0      | 35.0        |
| TPS71718DCKR  | SC70         | DCK             | 5    | 3000 | 203.0       | 203.0      | 35.0        |
| TPS71718DCKR  | SC70         | DCK             | 5    | 3000 | 180.0       | 180.0      | 18.0        |
| TPS71718DCKT  | SC70         | DCK             | 5    | 250  | 180.0       | 180.0      | 18.0        |
| TPS71718DCKT  | SC70         | DCK             | 5    | 250  | 203.0       | 203.0      | 35.0        |
| TPS71718DSER  | WSON         | DSE             | 6    | 3000 | 203.0       | 203.0      | 35.0        |
| TPS71718DSET  | WSON         | DSE             | 6    | 250  | 203.0       | 203.0      | 35.0        |
| TPS71719DCKR  | SC70         | DCK             | 5    | 3000 | 180.0       | 180.0      | 18.0        |
| TPS71719DCKR  | SC70         | DCK             | 5    | 3000 | 203.0       | 203.0      | 35.0        |
| TPS71719DCKT  | SC70         | DCK             | 5    | 250  | 180.0       | 180.0      | 18.0        |
| TPS71719DCKT  | SC70         | DCK             | 5    | 250  | 203.0       | 203.0      | 35.0        |
| TPS71721DCKR  | SC70         | DCK             | 5    | 3000 | 203.0       | 203.0      | 35.0        |
| TPS71721DCKR  | SC70         | DCK             | 5    | 3000 | 180.0       | 180.0      | 18.0        |
| TPS71721DCKT  | SC70         | DCK             | 5    | 250  | 180.0       | 180.0      | 18.0        |
| TPS71721DCKT  | SC70         | DCK             | 5    | 250  | 203.0       | 203.0      | 35.0        |
| TPS71725DCKR  | SC70         | DCK             | 5    | 3000 | 180.0       | 180.0      | 18.0        |
| TPS71725DCKR  | SC70         | DCK             | 5    | 3000 | 203.0       | 203.0      | 35.0        |
| TPS71725DCKT  | SC70         | DCK             | 5    | 250  | 180.0       | 180.0      | 18.0        |
| TPS71725DCKT  | SC70         | DCK             | 5    | 250  | 203.0       | 203.0      | 35.0        |
| TPS71726DCKR  | SC70         | DCK             | 5    | 3000 | 180.0       | 180.0      | 18.0        |
| TPS71726DCKR  | SC70         | DCK             | 5    | 3000 | 203.0       | 203.0      | 35.0        |
| TPS71726DCKT  | SC70         | DCK             | 5    | 250  | 180.0       | 180.0      | 18.0        |
| TPS71726DCKT  | SC70         | DCK             | 5    | 250  | 203.0       | 203.0      | 35.0        |
| TPS71727DCKR  | SC70         | DCK             | 5    | 3000 | 203.0       | 203.0      | 35.0        |
| TPS71727DCKR  | SC70         | DCK             | 5    | 3000 | 180.0       | 180.0      | 18.0        |
| TPS71727DCKT  | SC70         | DCK             | 5    | 250  | 203.0       | 203.0      | 35.0        |
| TPS71727DCKT  | SC70         | DCK             | 5    | 250  | 180.0       | 180.0      | 18.0        |
| TPS71727DSER  | WSON         | DSE             | 6    | 3000 | 203.0       | 203.0      | 35.0        |
| TPS71727DSET  | WSON         | DSE             | 6    | 250  | 203.0       | 203.0      | 35.0        |
| TPS717285DCKR | SC70         | DCK             | 5    | 3000 | 180.0       | 180.0      | 18.0        |
| TPS717285DCKR | SC70         | DCK             | 5    | 3000 | 203.0       | 203.0      | 35.0        |
| TPS717285DCKT | SC70         | DCK             | 5    | 250  | 203.0       | 203.0      | 35.0        |
| TPS717285DCKT | SC70         | DCK             | 5    | 250  | 180.0       | 180.0      | 18.0        |
| TPS71728DCKR  | SC70         | DCK             | 5    | 3000 | 180.0       | 180.0      | 18.0        |
| TPS71728DCKR  | SC70         | DCK             | 5    | 3000 | 203.0       | 203.0      | 35.0        |
| TPS71728DCKT  | SC70         | DCK             | 5    | 250  | 203.0       | 203.0      | 35.0        |

| Device       | Package Type | Package Drawing | Pins | SPQ  | Length (mm) | Width (mm) | Height (mm) |
|--------------|--------------|-----------------|------|------|-------------|------------|-------------|
| TPS71728DCKT | SC70         | DCK             | 5    | 250  | 180.0       | 180.0      | 18.0        |
| TPS71728DSER | WSON         | DSE             | 6    | 3000 | 203.0       | 203.0      | 35.0        |
| TPS71728DSET | WSON         | DSE             | 6    | 250  | 203.0       | 203.0      | 35.0        |
| TPS71729DCKR | SC70         | DCK             | 5    | 3000 | 203.0       | 203.0      | 35.0        |
| TPS71729DCKR | SC70         | DCK             | 5    | 3000 | 180.0       | 180.0      | 18.0        |
| TPS71729DCKT | SC70         | DCK             | 5    | 250  | 180.0       | 180.0      | 18.0        |
| TPS71729DCKT | SC70         | DCK             | 5    | 250  | 203.0       | 203.0      | 35.0        |
| TPS71730DCKR | SC70         | DCK             | 5    | 3000 | 180.0       | 180.0      | 18.0        |
| TPS71730DCKR | SC70         | DCK             | 5    | 3000 | 203.0       | 203.0      | 35.0        |
| TPS71730DCKT | SC70         | DCK             | 5    | 250  | 203.0       | 203.0      | 35.0        |
| TPS71730DCKT | SC70         | DCK             | 5    | 250  | 180.0       | 180.0      | 18.0        |
| TPS71733DCKR | SC70         | DCK             | 5    | 3000 | 203.0       | 203.0      | 35.0        |
| TPS71733DCKR | SC70         | DCK             | 5    | 3000 | 180.0       | 180.0      | 18.0        |
| TPS71733DCKT | SC70         | DCK             | 5    | 250  | 203.0       | 203.0      | 35.0        |
| TPS71733DCKT | SC70         | DCK             | 5    | 250  | 180.0       | 180.0      | 18.0        |
| TPS71733DRVR | WSON         | DRV             | 6    | 3000 | 203.0       | 203.0      | 35.0        |
| TPS71733DRVT | WSON         | DRV             | 6    | 250  | 203.0       | 203.0      | 35.0        |
| TPS71733DSER | WSON         | DSE             | 6    | 3000 | 203.0       | 203.0      | 35.0        |
| TPS71733DSET | WSON         | DSE             | 6    | 250  | 203.0       | 203.0      | 35.0        |
| TPS71745DSER | WSON         | DSE             | 6    | 3000 | 203.0       | 203.0      | 35.0        |
| TPS71745DSET | WSON         | DSE             | 6    | 250  | 203.0       | 203.0      | 35.0        |
| TPS71750DSER | WSON         | DSE             | 6    | 3000 | 203.0       | 203.0      | 35.0        |
| TPS71750DSET | WSON         | DSE             | 6    | 250  | 203.0       | 203.0      | 35.0        |

DCK (R-PDSO-G5)

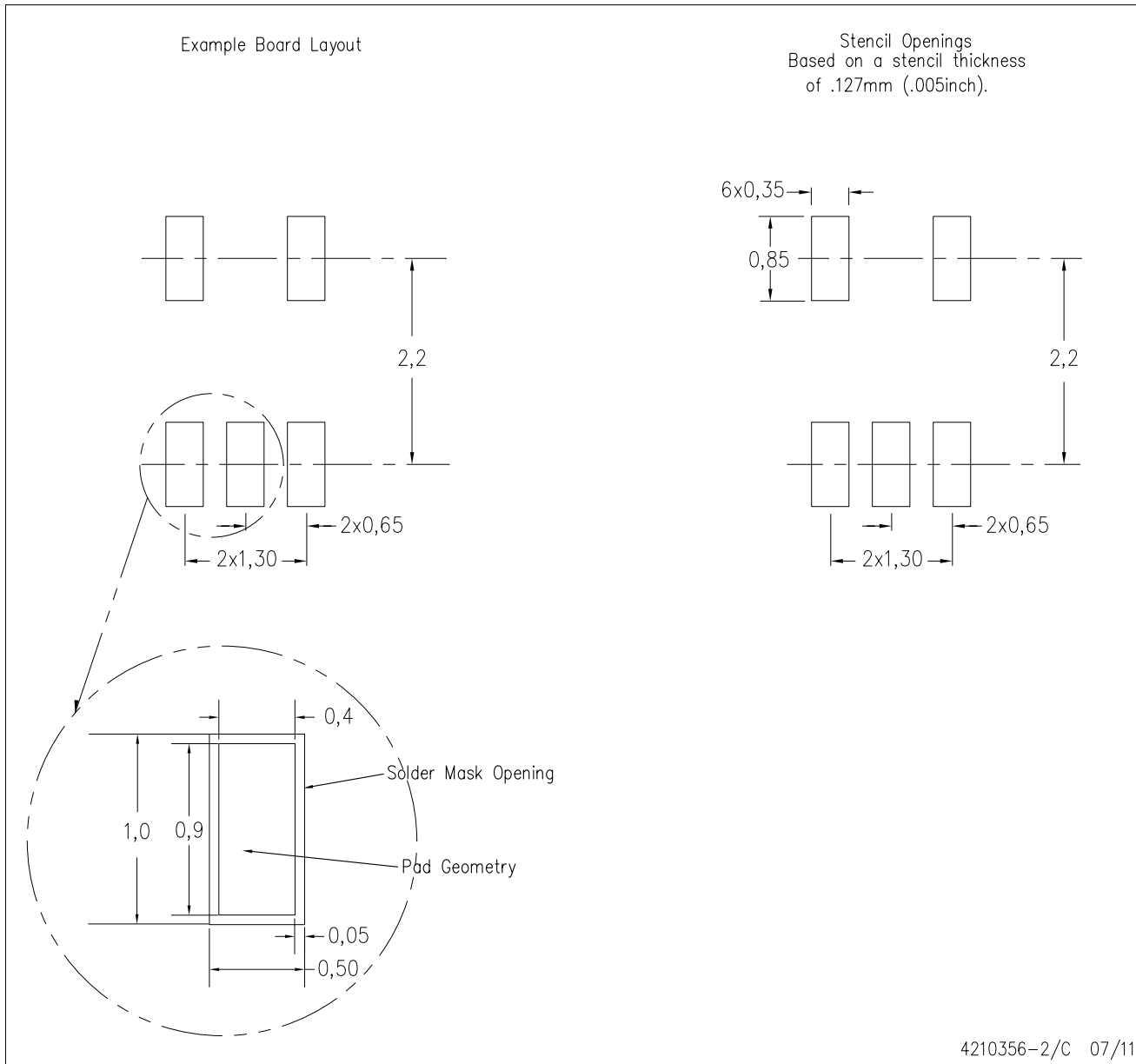
PLASTIC SMALL-OUTLINE PACKAGE



- NOTES:
- A. All linear dimensions are in millimeters.
  - B. This drawing is subject to change without notice.
  - C. Body dimensions do not include mold flash or protrusion. Mold flash and protrusion shall not exceed 0.15 per side.
  - D. Falls within JEDEC MO-203 variation AA.

DCK (R-PDSO-G5)

PLASTIC SMALL OUTLINE



- NOTES:
- A. All linear dimensions are in millimeters.
  - B. This drawing is subject to change without notice.
  - C. Customers should place a note on the circuit board fabrication drawing not to alter the center solder mask defined pad.
  - D. Publication IPC-7351 is recommended for alternate designs.
  - E. Laser cutting apertures with trapezoidal walls and also rounding corners will offer better paste release. Customers should contact their board assembly site for stencil design recommendations. Example stencil design based on a 50% volumetric metal load solder paste. Refer to IPC-7525 for other stencil recommendations.

## GENERIC PACKAGE VIEW

DRV 6

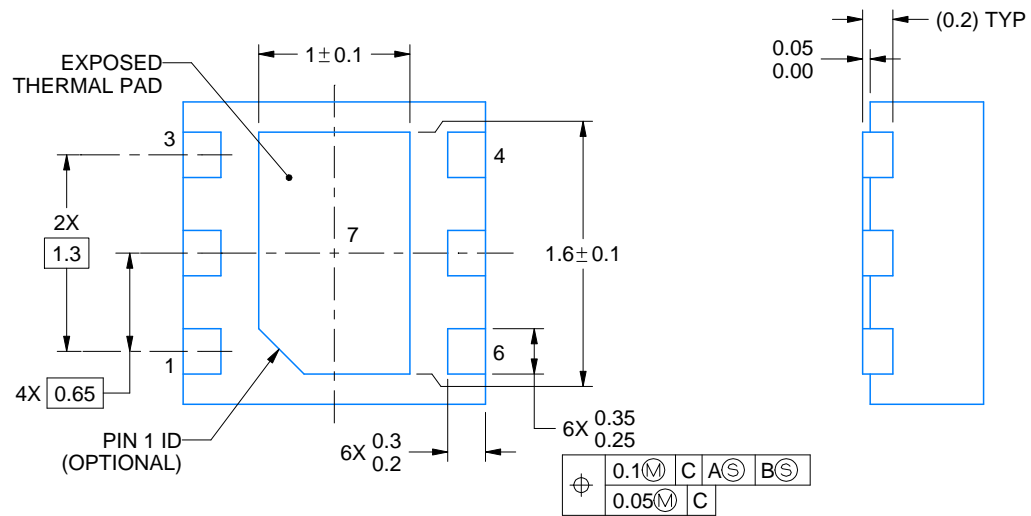
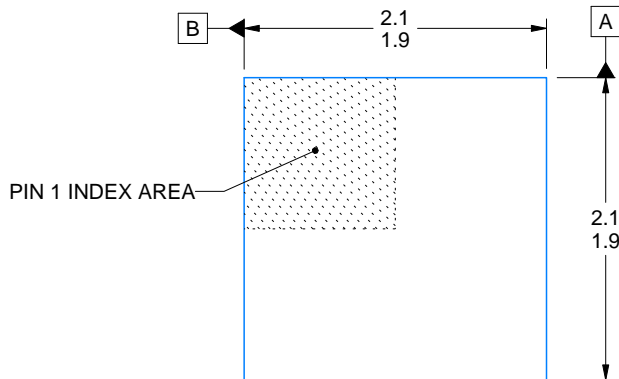
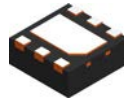
WSON - 0.8 mm max height

PLASTIC SMALL OUTLINE - NO LEAD



Images above are just a representation of the package family, actual package may vary.  
Refer to the product data sheet for package details.

4206925/F



4222173/B 04/2018

NOTES:

1. All linear dimensions are in millimeters. Any dimensions in parenthesis are for reference only. Dimensioning and tolerancing per ASME Y14.5M.
2. This drawing is subject to change without notice.
3. The package thermal pad must be soldered to the printed circuit board for thermal and mechanical performance.

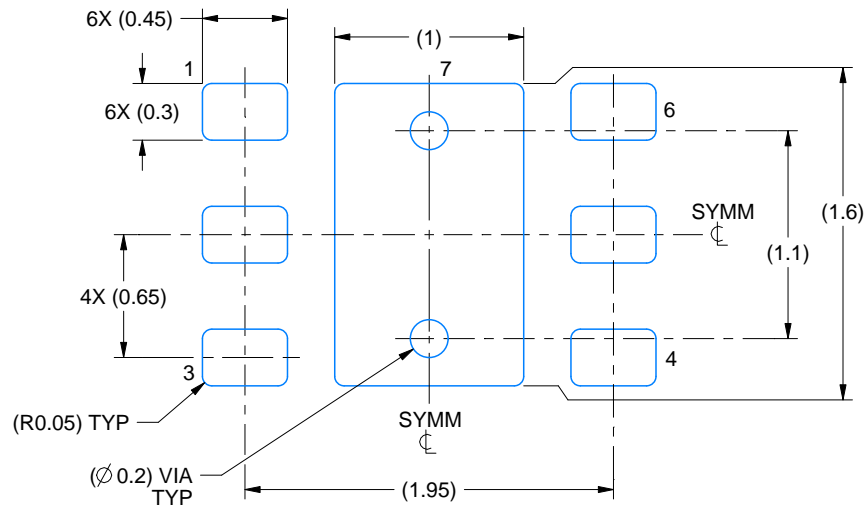


# EXAMPLE BOARD LAYOUT

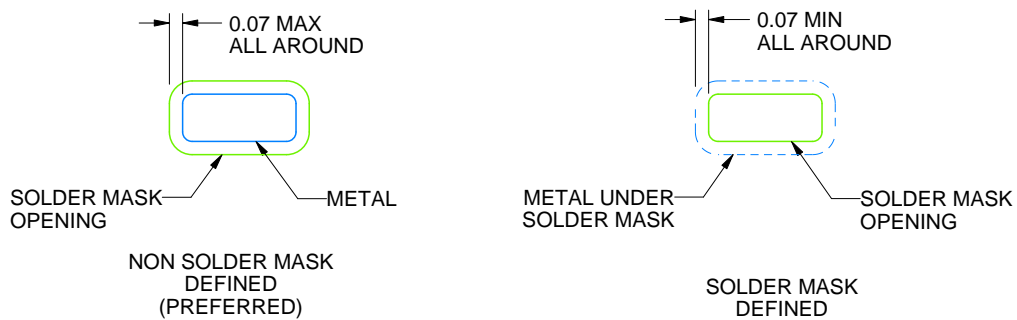
DRV0006A

WSON - 0.8 mm max height

PLASTIC SMALL OUTLINE - NO LEAD



LAND PATTERN EXAMPLE  
SCALE:25X



SOLDER MASK DETAILS

4222173/B 04/2018

NOTES: (continued)

4. This package is designed to be soldered to a thermal pad on the board. For more information, see Texas Instruments literature number SLUA271 ([www.ti.com/lit/sluea271](http://www.ti.com/lit/sluea271)).
5. Vias are optional depending on application, refer to device data sheet. If some or all are implemented, recommended via locations are shown.

# EXAMPLE STENCIL DESIGN

DRV0006A

WSON - 0.8 mm max height

PLASTIC SMALL OUTLINE - NO LEAD



SOLDER PASTE EXAMPLE  
BASED ON 0.125 mm THICK STENCIL

EXPOSED PAD #7  
88% PRINTED SOLDER COVERAGE BY AREA UNDER PACKAGE  
SCALE:30X

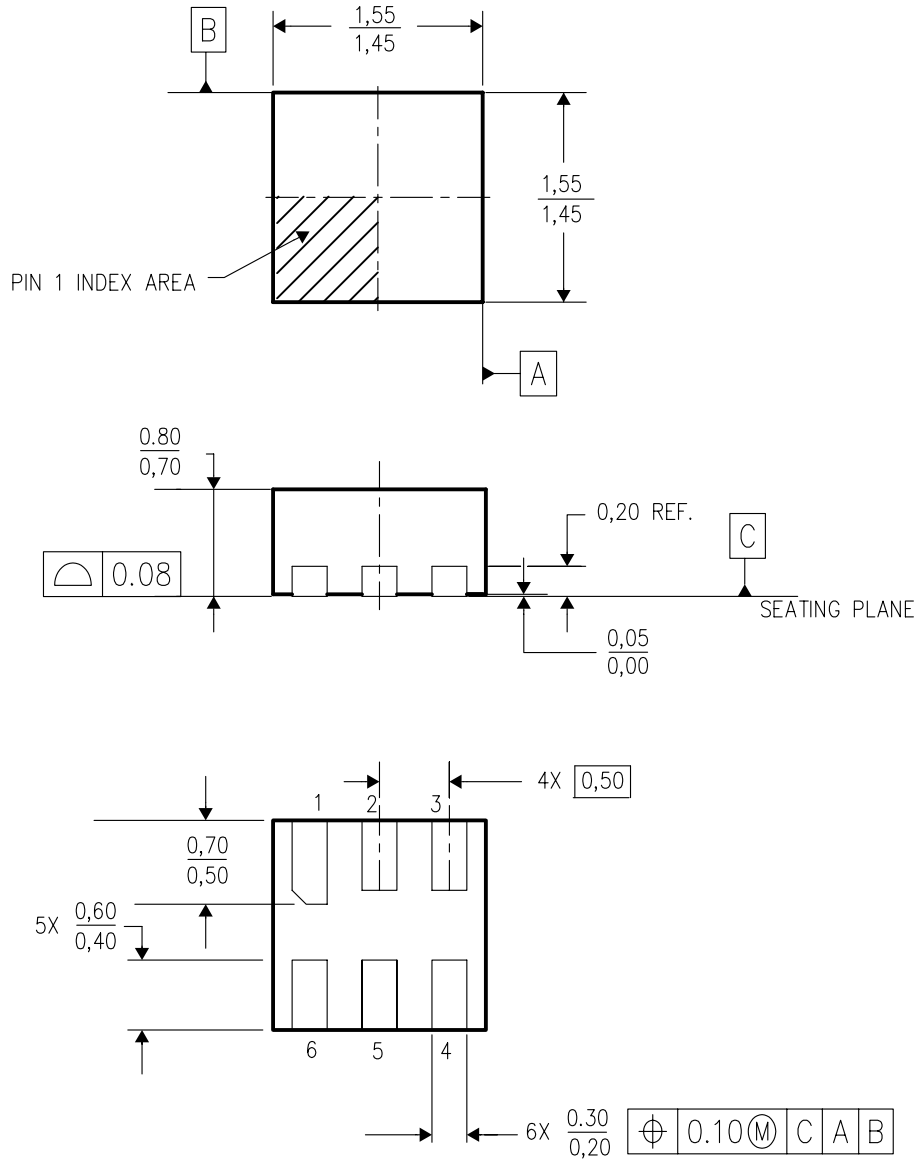
4222173/B 04/2018

NOTES: (continued)

6. Laser cutting apertures with trapezoidal walls and rounded corners may offer better paste release. IPC-7525 may have alternate design recommendations.

DSE (S-PDSO-N6)

PLASTIC SMALL OUTLINE

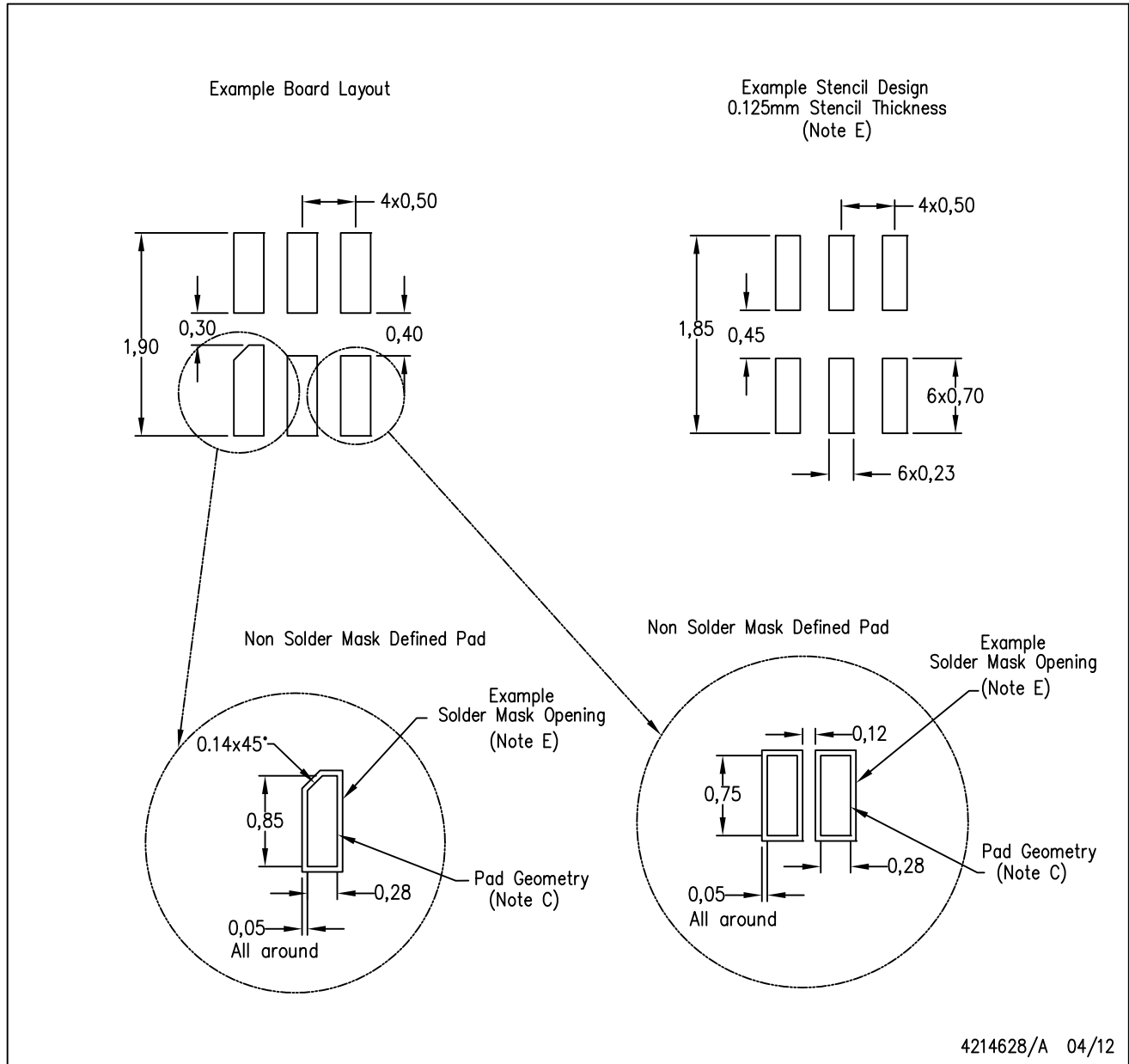


4207810/A 03/06

- NOTES:
- A. All linear dimensions are in millimeters.
  - B. This drawing is subject to change without notice.
  - C. Small Outline No-Lead (SON) package configuration.
  - D. This package is lead-free.

DSE (S-PWSON-N6)

PLASTIC SMALL OUTLINE NO-LEAD



- NOTES:
- All linear dimensions are in millimeters.
  - This drawing is subject to change without notice.
  - Publication IPC-7351 is recommended for alternate designs.
  - Laser cutting apertures with trapezoidal walls and also rounding corners will offer better paste release. Customers should contact their board assembly site for stencil design recommendations. Refer to IPC 7525 for stencil design considerations.
  - Customers should contact their board fabrication site for solder mask tolerances.

## IMPORTANT NOTICE

Texas Instruments Incorporated (TI) reserves the right to make corrections, enhancements, improvements and other changes to its semiconductor products and services per JESD46, latest issue, and to discontinue any product or service per JESD48, latest issue. Buyers should obtain the latest relevant information before placing orders and should verify that such information is current and complete.

TI's published terms of sale for semiconductor products (<http://www.ti.com/sc/docs/stdterms.htm>) apply to the sale of packaged integrated circuit products that TI has qualified and released to market. Additional terms may apply to the use or sale of other types of TI products and services.

Reproduction of significant portions of TI information in TI data sheets is permissible only if reproduction is without alteration and is accompanied by all associated warranties, conditions, limitations, and notices. TI is not responsible or liable for such reproduced documentation. Information of third parties may be subject to additional restrictions. Resale of TI products or services with statements different from or beyond the parameters stated by TI for that product or service voids all express and any implied warranties for the associated TI product or service and is an unfair and deceptive business practice. TI is not responsible or liable for any such statements.

Buyers and others who are developing systems that incorporate TI products (collectively, "Designers") understand and agree that Designers remain responsible for using their independent analysis, evaluation and judgment in designing their applications and that Designers have full and exclusive responsibility to assure the safety of Designers' applications and compliance of their applications (and of all TI products used in or for Designers' applications) with all applicable regulations, laws and other applicable requirements. Designer represents that, with respect to their applications, Designer has all the necessary expertise to create and implement safeguards that (1) anticipate dangerous consequences of failures, (2) monitor failures and their consequences, and (3) lessen the likelihood of failures that might cause harm and take appropriate actions. Designer agrees that prior to using or distributing any applications that include TI products, Designer will thoroughly test such applications and the functionality of such TI products as used in such applications.

TI's provision of technical, application or other design advice, quality characterization, reliability data or other services or information, including, but not limited to, reference designs and materials relating to evaluation modules, (collectively, "TI Resources") are intended to assist designers who are developing applications that incorporate TI products; by downloading, accessing or using TI Resources in any way, Designer (individually or, if Designer is acting on behalf of a company, Designer's company) agrees to use any particular TI Resource solely for this purpose and subject to the terms of this Notice.

TI's provision of TI Resources does not expand or otherwise alter TI's applicable published warranties or warranty disclaimers for TI products, and no additional obligations or liabilities arise from TI providing such TI Resources. TI reserves the right to make corrections, enhancements, improvements and other changes to its TI Resources. TI has not conducted any testing other than that specifically described in the published documentation for a particular TI Resource.

Designer is authorized to use, copy and modify any individual TI Resource only in connection with the development of applications that include the TI product(s) identified in such TI Resource. NO OTHER LICENSE, EXPRESS OR IMPLIED, BY ESTOPPEL OR OTHERWISE TO ANY OTHER TI INTELLECTUAL PROPERTY RIGHT, AND NO LICENSE TO ANY TECHNOLOGY OR INTELLECTUAL PROPERTY RIGHT OF TI OR ANY THIRD PARTY IS GRANTED HEREIN, including but not limited to any patent right, copyright, mask work right, or other intellectual property right relating to any combination, machine, or process in which TI products or services are used. Information regarding or referencing third-party products or services does not constitute a license to use such products or services, or a warranty or endorsement thereof. Use of TI Resources may require a license from a third party under the patents or other intellectual property of the third party, or a license from TI under the patents or other intellectual property of TI.

TI RESOURCES ARE PROVIDED "AS IS" AND WITH ALL FAULTS. TI DISCLAIMS ALL OTHER WARRANTIES OR REPRESENTATIONS, EXPRESS OR IMPLIED, REGARDING RESOURCES OR USE THEREOF, INCLUDING BUT NOT LIMITED TO ACCURACY OR COMPLETENESS, TITLE, ANY EPIDEMIC FAILURE WARRANTY AND ANY IMPLIED WARRANTIES OF MERCHANTABILITY, FITNESS FOR A PARTICULAR PURPOSE, AND NON-INFRINGEMENT OF ANY THIRD PARTY INTELLECTUAL PROPERTY RIGHTS. TI SHALL NOT BE LIABLE FOR AND SHALL NOT DEFEND OR INDEMNIFY DESIGNER AGAINST ANY CLAIM, INCLUDING BUT NOT LIMITED TO ANY INFRINGEMENT CLAIM THAT RELATES TO OR IS BASED ON ANY COMBINATION OF PRODUCTS EVEN IF DESCRIBED IN TI RESOURCES OR OTHERWISE. IN NO EVENT SHALL TI BE LIABLE FOR ANY ACTUAL, DIRECT, SPECIAL, COLLATERAL, INDIRECT, PUNITIVE, INCIDENTAL, CONSEQUENTIAL OR EXEMPLARY DAMAGES IN CONNECTION WITH OR ARISING OUT OF TI RESOURCES OR USE THEREOF, AND REGARDLESS OF WHETHER TI HAS BEEN ADVISED OF THE POSSIBILITY OF SUCH DAMAGES.

Unless TI has explicitly designated an individual product as meeting the requirements of a particular industry standard (e.g., ISO/TS 16949 and ISO 26262), TI is not responsible for any failure to meet such industry standard requirements.

Where TI specifically promotes products as facilitating functional safety or as compliant with industry functional safety standards, such products are intended to help enable customers to design and create their own applications that meet applicable functional safety standards and requirements. Using products in an application does not by itself establish any safety features in the application. Designers must ensure compliance with safety-related requirements and standards applicable to their applications. Designer may not use any TI products in life-critical medical equipment unless authorized officers of the parties have executed a special contract specifically governing such use. Life-critical medical equipment is medical equipment where failure of such equipment would cause serious bodily injury or death (e.g., life support, pacemakers, defibrillators, heart pumps, neurostimulators, and implantables). Such equipment includes, without limitation, all medical devices identified by the U.S. Food and Drug Administration as Class III devices and equivalent classifications outside the U.S.

TI may expressly designate certain products as completing a particular qualification (e.g., Q100, Military Grade, or Enhanced Product). Designers agree that it has the necessary expertise to select the product with the appropriate qualification designation for their applications and that proper product selection is at Designers' own risk. Designers are solely responsible for compliance with all legal and regulatory requirements in connection with such selection.

Designer will fully indemnify TI and its representatives against any damages, costs, losses, and/or liabilities arising out of Designer's non-compliance with the terms and provisions of this Notice.