

1 2 3 4 5 6 7 8

A

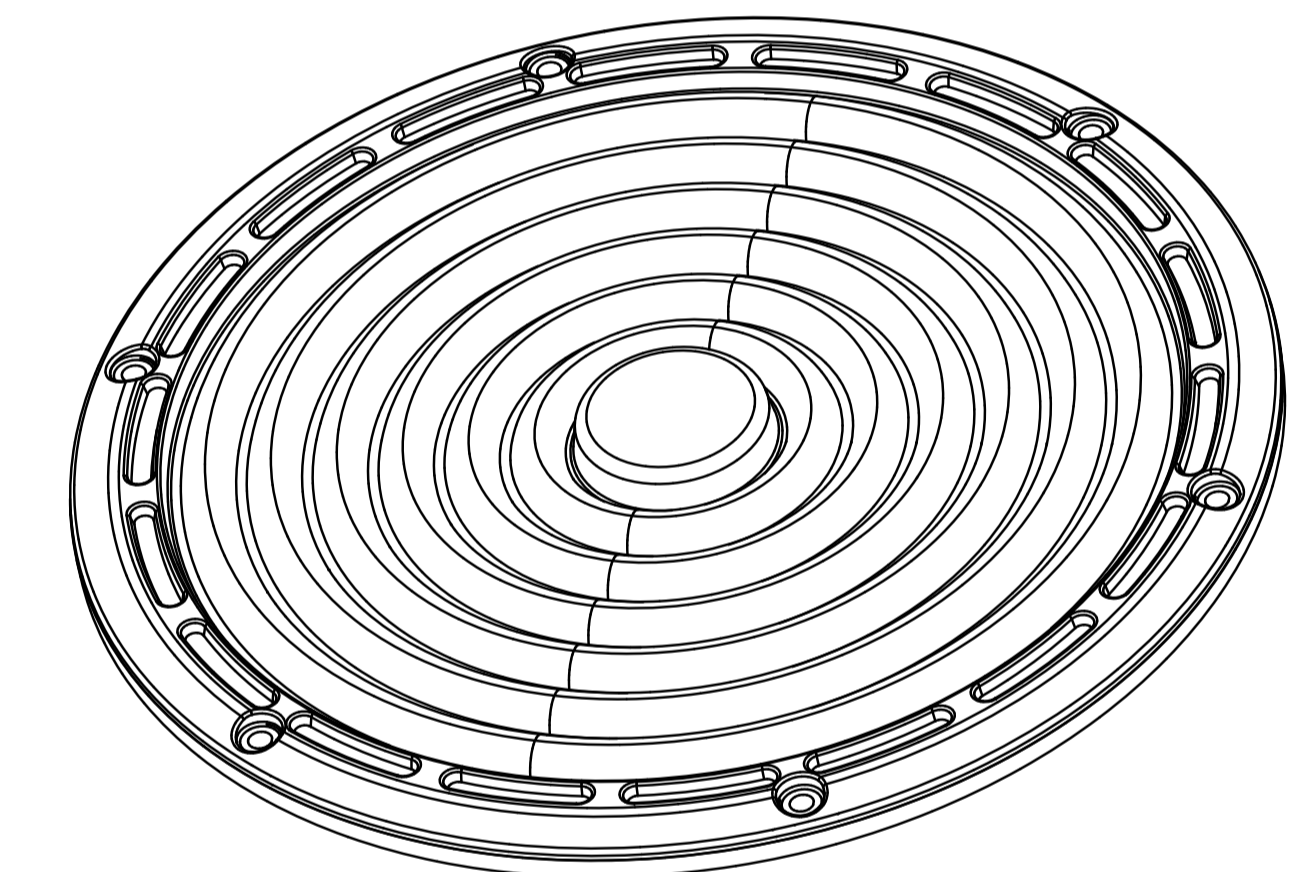
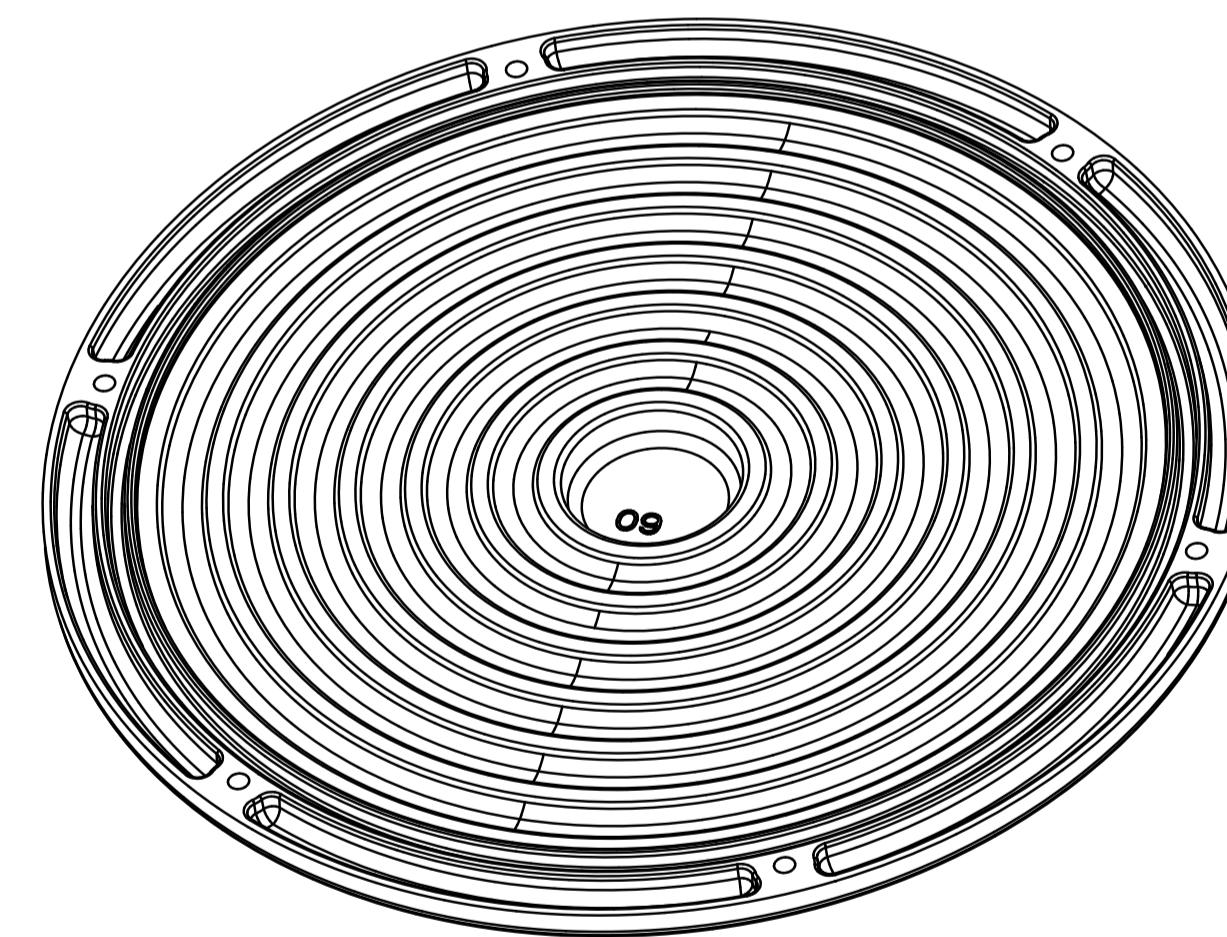
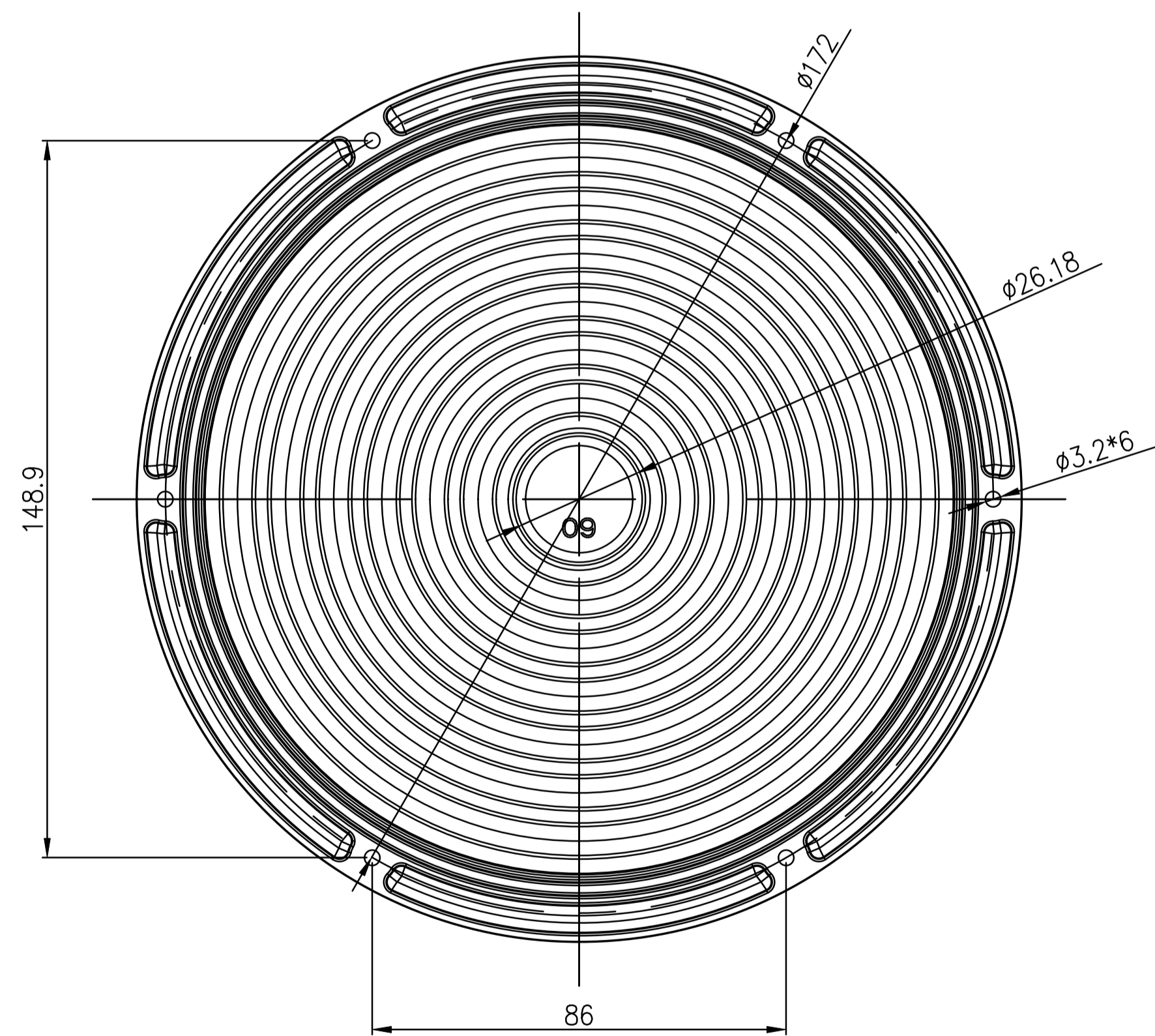
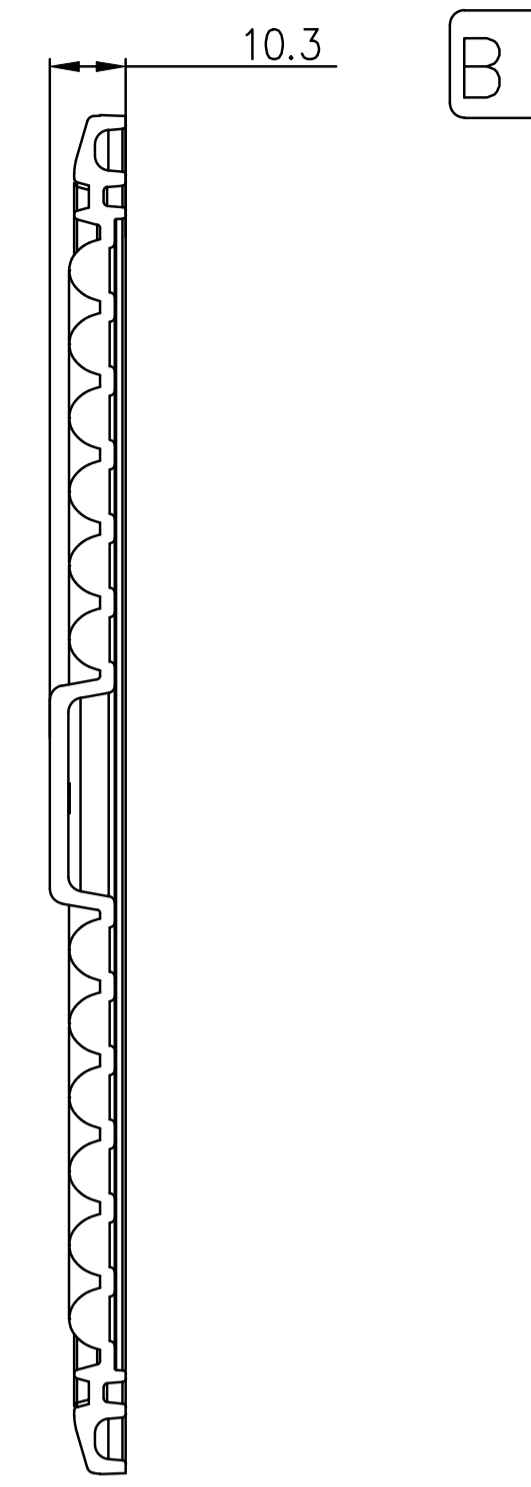
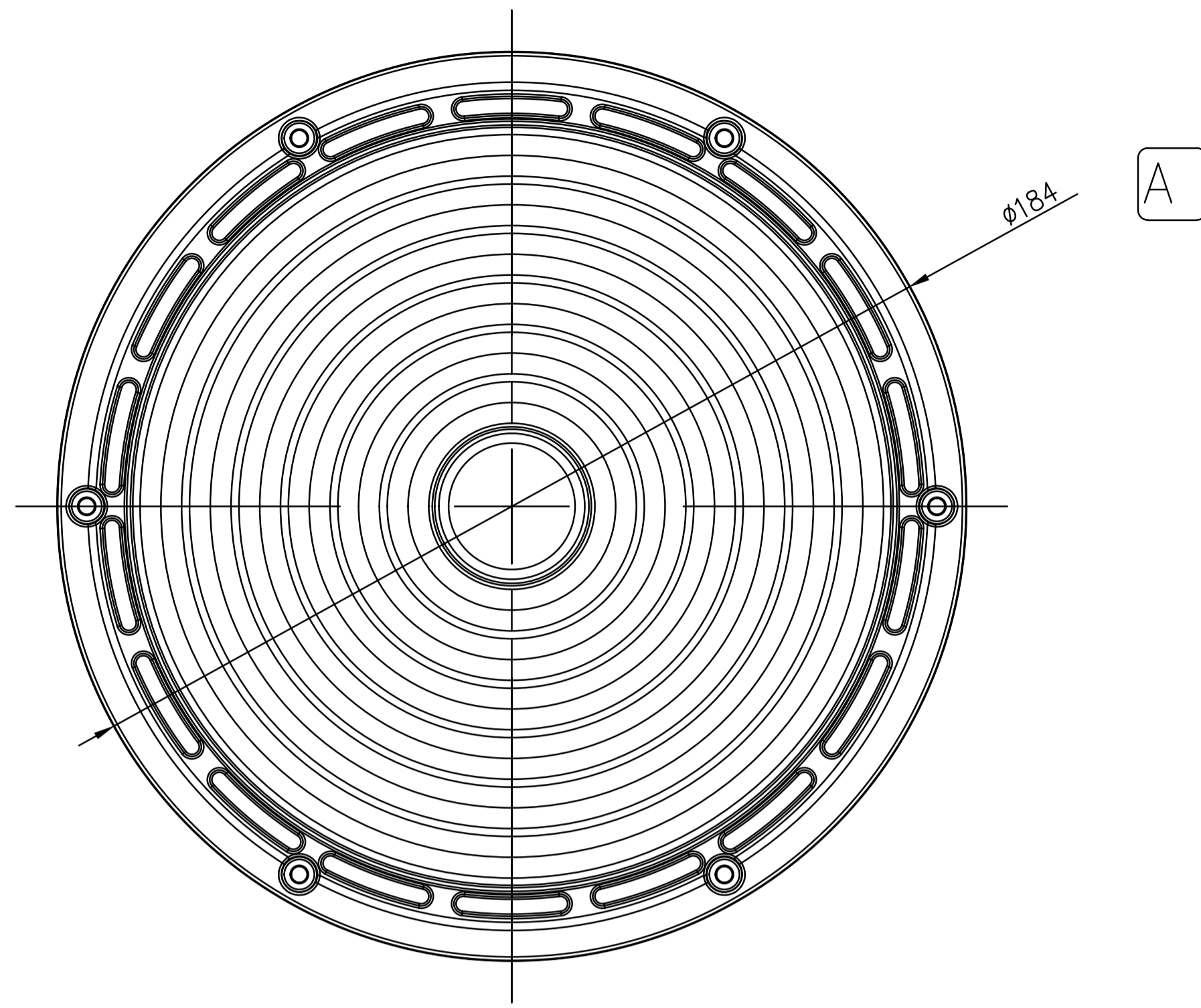
B

C

D

E

F



NOTE:
 1. ALL SURFACES NO SHRINKAGE, BURRS, JUNCTION LINES ALLOWED
 2. CRITICAL DIMENSIONS ARE INDICATED ON THE DRAWING
 3. ALL INDICATED SURFACES ARE POLISHED, THE OPTICAL SURFACE POLISHING MUST BE SPI-A1 STANDARD
 4. THE PARTS IS COMPLIANT TO ROHS AND REACH STANDARD

CHANGE						PART		颜色	Transparency		SCALE	1:1	ASAHI OPTICS LIMITED	料号	PART NO.	UF0184D60G-100W-B26	
						0 ~ 10	±0.05	COLOR									ASAHI
						10 ~ 20	±0.10	材质	PMMA		UNIT	mm					
	A/0	2021-05-21		NEW			20 ~ 30	±0.15	MATERIAL					品名	Product:		High Bay Lens
	版次	日期		变更说明	变更	核准	30 ~	±0.20	DESIGN	C.Y.CAI	2021-05-21	SIZE	A4				
REV	DATE		MODIFICATION DESCRIPTION	CHANGE	APPROVE	Angle	± 1'	核准			SHEET						
						DIM	TOL	APPROVE									

1 2 3 4 5 6 7 8