

Data sheet

Commercial Art.No.: 91.050.5953.0

Distributor GST15I5Z 1P1 V WS

GST15i5 intermediate coupling (I-form), 5 pole, 1 input 1 output, without mounting option, coding mains 250/400 V, 16 A, coding color white



Commercial Art.No.	91.050.5953.0
EAN	4049088016516
Order Unit	1

Certificates / Approvals



Technical data

General

Rated current	16 A
Rated voltage	250 V / 400 V
Rated impulse voltage	4 kV
Pollution degree	2
Mechanical coding	Code 1
Lockable	self-locking (unlocking by tool)
Color of coding/ contact carrier	white
Marking of poles	3, N, PE, 2, 1

Model

Number of inputs	1
Number of outputs	1
Type of fastening	No
Degree of protection (IP)	IP20
Type of distributor	intermediate coupling

Material

Housing material	Polyamide
halogen free	yes
Contact material	CuZn
Fire load	0.045 kWh
Insulation components continuous temperature	100 °C
Surface finish	Silver-plated

Dimensions

Length	32.4 mm
--------	---------

Width	32 mm
Height	12.5 mm

Classification

ECLASS 11	
ECLASS 8.1	27440603
ETIM 7.0	EC002567
ETIM 6.0	EC002567
ETIM 5.0	EC002567
ETIM 4.0	EC002567

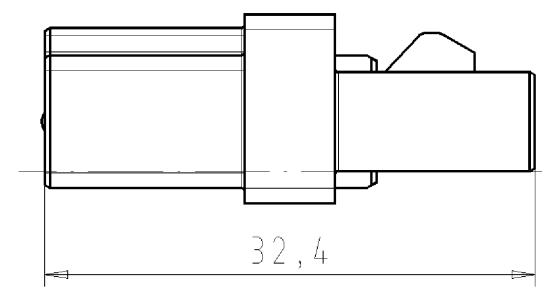
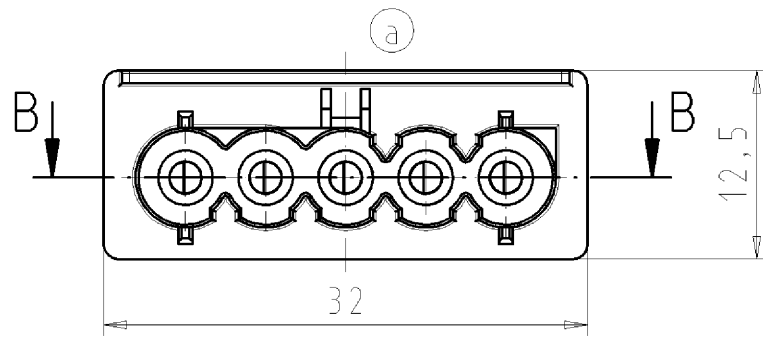
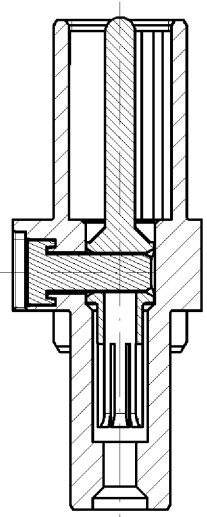
Product compliance

ROHS conformity status	Compliant/Exempted
ROHS exceptions	III-6(c)
REACH-SVHC conformity status	Duty-To-Declare
REACH-SVHC substances	Lead
REACH-SVHC CAS numbers	7439-92-1

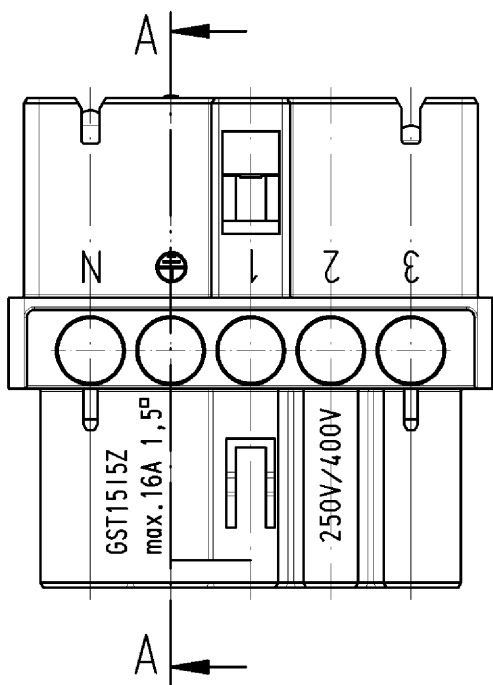
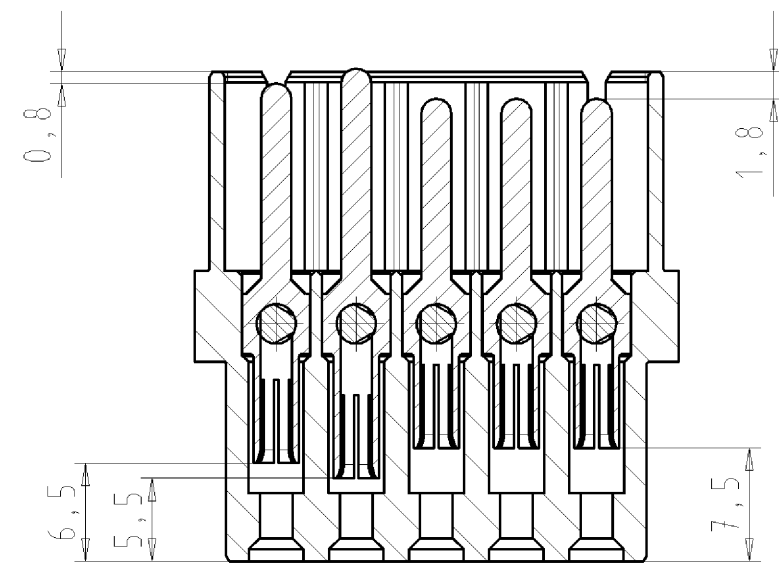
These dimensions will be especially checked at delivery
 Only inspection dimensions
 With /E marked dimensions are only valid for internal use

Diese Maße werden bei Abnahme besonders geprüft
 Ausschließlich Prüfmaße
 Mit /E gekennzeichnete Maße sind nur für interne Zwecke gültig

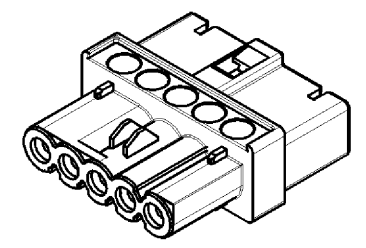
A-A



B-B



M/scale 1:1



Teilenummer/part no.	Farbe/color
91.050.5953.0	weiß/white
91.050.5953.1	schwarz/black

Tolerierung nach DIN 7167/Tolerance system acc. to DIN 7167. (This DIN-standard describes the envelope principle. According to the envelope principle the deviations of form and parallelism are limited by the size tolerances).				ja/yes <input checked="" type="checkbox"/> Stoffverbots- und Deklarationsliste nach UU-TQM-05/03 ist einzuhalten. Conformity with Wieland document UU-TQM-05/03 (list of prohibited / declarable hazardous substances) to be declared!			
Freitoleranz nach General tolerance		CAD - Zeichnung, keine manuellen Änderungen CAD - drawing, no manual modifications allowed		1. Verwendung: First Use:		Blatt: 1 von 1 Sheet: of 1	
/		Werkstoff/Material Farbe/color: siehe Tabelle/see chart		2008 Tag/Date Name		Zeichnung Nr./Drawing No. Index	
/		Maßstab/Scale 2:1		gezeichnet drawn 01.04. Winkler		T 91.050.5953.0 01K a	
/		Vol. mm ³ Ofl./Surf. mm ²		geprüft checked -		Maße in mm/Dimensions are in mm	
/		Ersatz für/Replacement for: -		Nicht gepr. Stand. check -			
/		wieland		Type		Benennung/Title	
a 03.06.2008/ Index Datum / Blatt Date / Sheet		Elektrische Verbindungen				ZWI SCHENKUPPLUNG für/for GST1515 Netzanschluss/mains connection	
Änderung/Revision							

Weitergabe sowie Vervielfältigung dieses Dokuments, Verwertung und Mitteilung seines Inhalts sind verboten, soweit nicht ausdrücklich gestattet.
 The reproduction, distribution and utilization of this document as well as the communication of its contents to others without express authorization is prohibited.

910505953001K_4_CADW1025 Winkler 2008-06-03T10:43:08 1.000