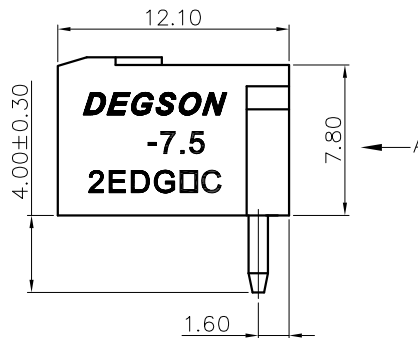
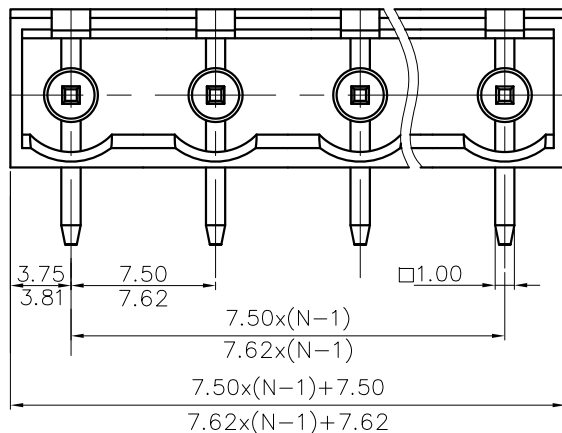
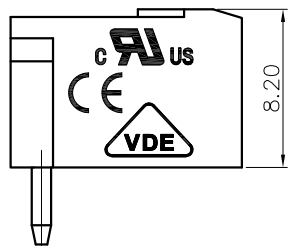


REVISION RECORD				
REV	ECN	DESCRIPTION	DRFT	DATE



NOTES1:

UL Standard

1. Rated voltage/current : 300V / 15A
2. Withstanding voltage : AC1600V/1Min.

IEC Standard

1.

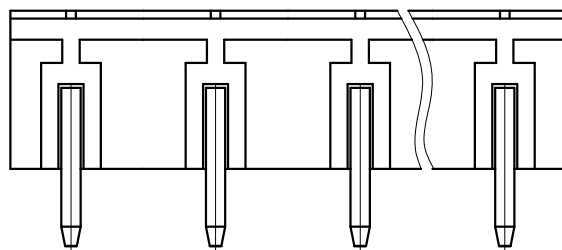
Pollution degree	2
Overtoltage category	III
Rate impulse voltage(KV)	4.0KV
Rate voltage(V)	320V
Rate current(A)	20A

NOTES2:

1. Dimension shall be interpreted per ASME Y14.5-2009
2. Pitch : 7.50/7.62mm, Poles : N=02~12P
3. Operating temperature: -40°C~+105°C
4. Undimensioned tolerances:

Pitch range in mm		Nominal dimension range in mm				—	∩	∇	
TO	Over TO	Over TO	TO	Over TO	Over TO	Over TO	0.1/10		
6	6 TO 10	10 TO 24	30	30 TO 60	60 TO 100	100 TO 150		<	
	±0.15	±0.20	±0.30	±0.30	±0.50	±0.70	±1.00	±1.30	±2'

5. RoHS Compliance

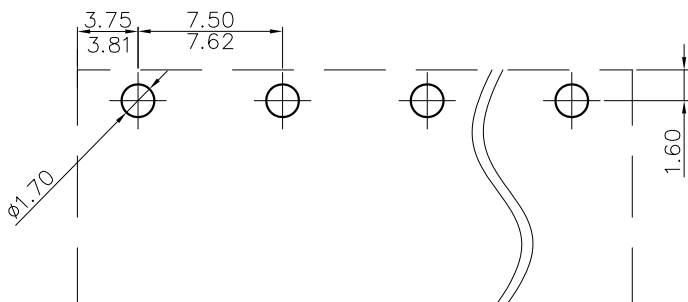


VIEW A

2EDGRC - 7.5/7.62 - XXP - 1Y - 00A (H)

(Series No.) (Pitch) (Poles) (Single Pitch) (Color): 1.(Grey)
 2.(Blue)
 3.(Black)
 4.(Green)
 5.(Orange)
 6.(Red)
 7.(Transparent)
 8.(Yellow)
 9.(White)

(RoHS)
 00A-(Standard)



PCB LAYOUT

DETACHED LISTS	PART NO.:	/	宁波高松电子有限公司 NINGBO DEGSON ELECTRICAL CO., LTD		
	APPD:	/	NAME: 2EDGRC-7.5/7.62-XXP-1Y-00A(H)		
	CHKD:	/	TITLE: CUSTOMER DRAWING		
	DRFT:	/	REV	DO	
THIRD ANGLE PROJECTION		DRAWING NO.:	/	SHEET	1/1
		MM (INCH)	DO NOT SCALE DRAWING	SCALE	1:1