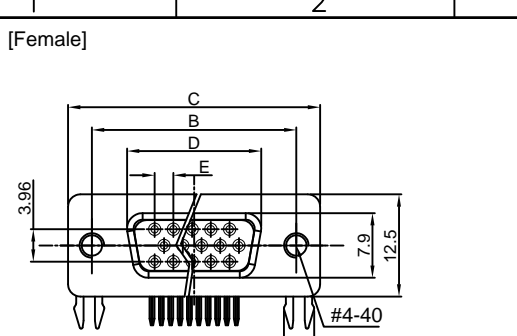
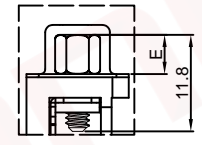
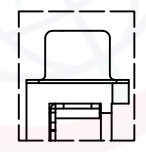
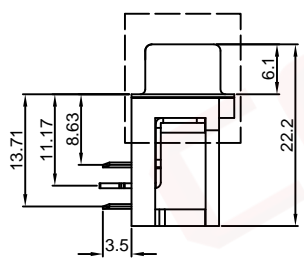
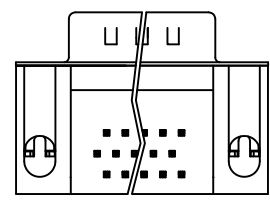
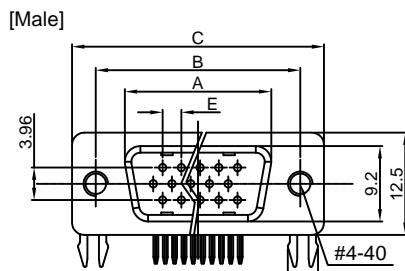
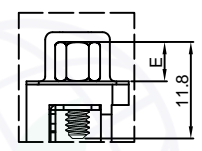
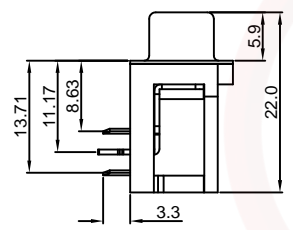
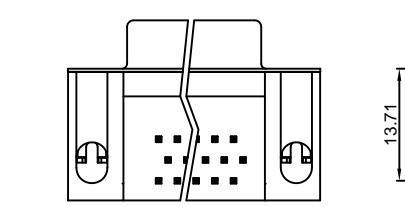


The information provided herein is from CONNELY Electronic Co., Ltd. and is confidential. Any disclosure to a party other than the recipient is prohibited. The intellectual properties and its rights contained herein, including but not limited to, trademarks, patents, copyrights, trade secrets, and technical know-how, are owned exclusively by CONNELY or its affiliates. Unauthorized use or reproduction of any part of this document is strictly prohibited. CONNELY may enforce its intellectual property rights at its own discretion, failures or delays to exercise such rights does not constitute a waiver of such rights.



Dimension

Position	A±0.2	B±0.2	C±0.3	D	E
15	17.90	24.99	30.84	16.33	2.29
26	26.50	33.32	39.14	24.66	2.29
44	40.00	47.04	53.04	38.38	2.29
62	56.50	63.50	69.32	54.84	2.41



REV.	DESCRIPTION	DRAWN	CHECKED	APPROVED
A	NEW RELEASE	LJH 09/27/05'		LJC 09/27/05'
D	DRAWING UPDATE	JLZ 10/07/20'		

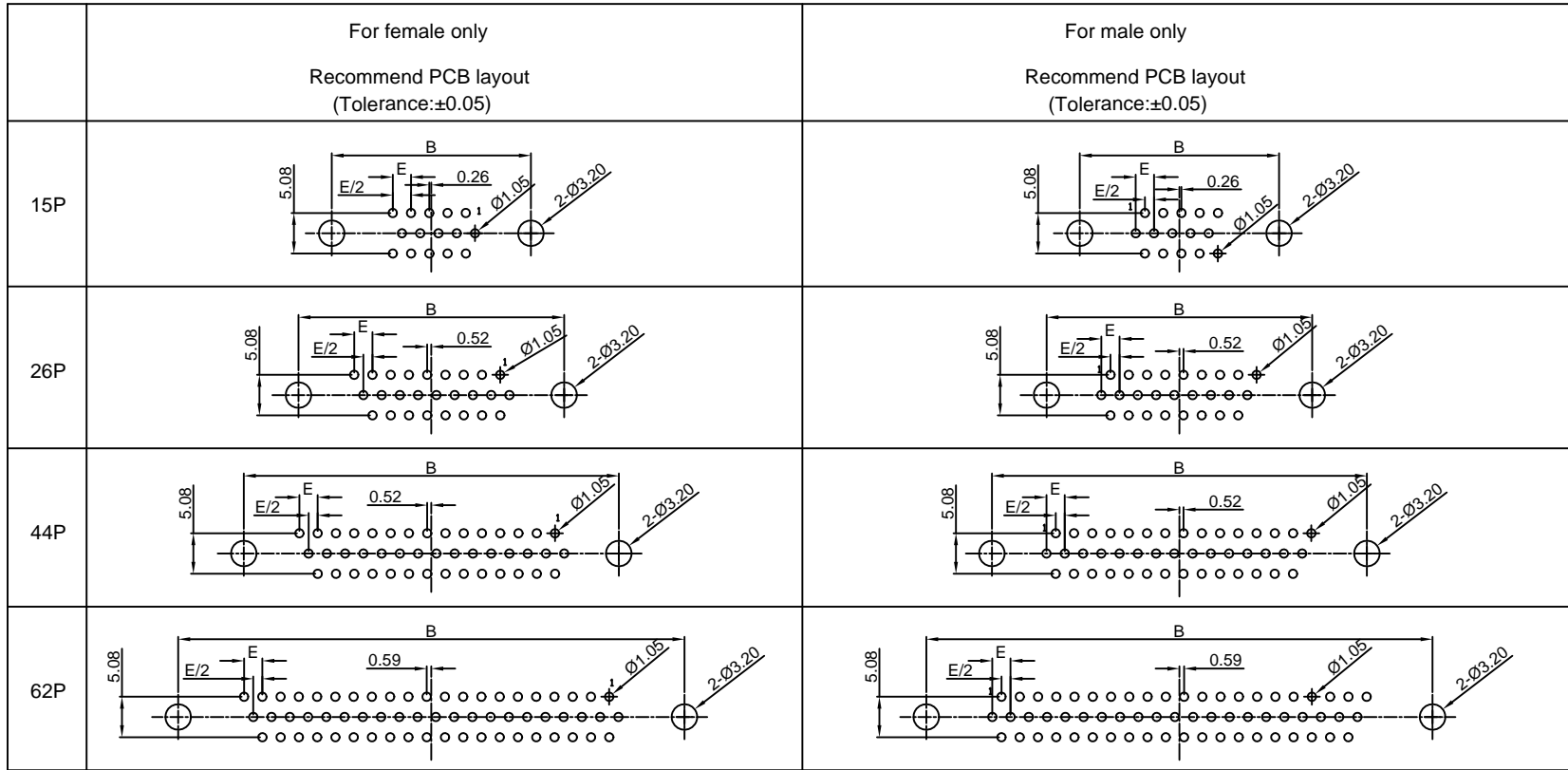
- NOTES:
- Electrical characteristics:
 - Contact resistance: 20mΩ Max. Initial.
 - Dielectric withstanding voltage: 500V AC(rms) for 1 minute.
 - Insulation resistance: 1000MΩ Min.
 - Environment characteristics:
 - Temperature range: -40°C~+105°C.
 - Materials:
 - Insulator:PBT+Glass fiber
 - Shell:Steel
 - Contact:Copper alloy
 - Product number code:
 DS1038 - X X X X X X X X -XXX
 - Screw materials
F: Steel C: Copper alloy
 - Board lock materials
F: Steel C: Copper alloy
 - Insulator materials
0: PBT UL94 V-0
Screw DIM. E
4: 4.80mm 5: 5.80mm
 - Board lock DIM. F
7: 3.70mm
 - Screw type
A: With screw type B: With rivet type
C: Rivet type with fixed screws
D: Rivet type with screws in bulk package
 - Contact plating
Si: Selective gold flash
8: Full gold flash
 - Shell plating
N: Nickel
 - Color of housing
B: Black U: Blue C: Blue(PC99)
 - Connector type
M: Male F: Female
 - No. of contact
15,26,44,62

GENERAL TOLERANCE		ANGLE TOLERANCE		PROJECTION		TITLE	
X.	±0.60	X.	±5°	UNITS	mm	H.D-SUB R/A Type	
.X	±0.38	.X	±3°	SHEET SIZE	A4	SERIES	DS1038 SERIES
.XX	±0.25	.XX	±2°	晨翔电子有限公司 CONNFLY ELECTRONIC CO., LTD			
DRAWING TYPE		CUSTOMER					
SCALE	1:1	SHEET	1 OF 1				
DRAWING NO.		C-DS1038-XXXXXXX-XXX-D					

Dept	
Qty	
DC	1
ED	1
IE	1
ISO	1
PD	1
R&D	1
SD	1
QA	1
QC	1
QE	1

REV.	DESCRIPTION	DRAWN	CHECKED	APPROVED
A	NEW RELEASE	LL 09/25/06'		LJC 09/25/06'
C	DRAWING UPDATE	JLZ 08/26/19'		

The information provided herein is from CONNELY Electronic Co., Ltd. and is confidential. Any disclosure to a party other than the recipient is prohibited. The intellectual properties and its rights contained herein, including but not limited to, trademarks, patents, copyrights, trade secrets, and technical know-how, are owned exclusively by CONNELY or its affiliates. Unauthorized use or reproduction of any part of this document is strictly prohibited. CONNELY may enforce its intellectual property rights at its own discretion, failures or delays to exercise such rights does not constitute a waiver of such rights.



GENERAL TOLERANCE		ANGLE TOLERANCE	
X.	±0.60	X.	±5°
.X	±0.38	.X	±3°
.XX	±0.25	.XX	±2°
DRAWING TYPE		CUSTOMER	
SCALE	1:1	SHEET	2 OF 2
DRAWING NO.	C-DS1038-XXXXXXX-C		

PROJECTION		TITLE	H.D-SUB R/A Type	
UNITS	mm	SERIES	DS1038 SERIES	
SHEET SIZE	A4			

晨翔电子有限公司
CONNFLY ELECTRONIC CO., LTD