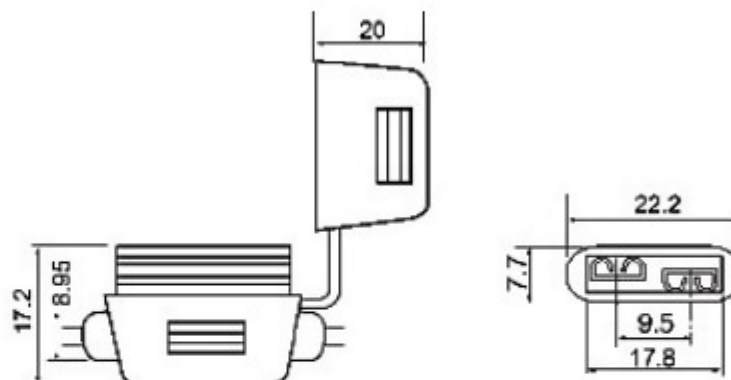


# Circuit Protection components

## Blade fuse holder In-Line series

**Part No: KLS5-708B**



**Suitable fuse: Medium auto plug-in sheet fuse**

### Description :

Feature Water Splashproof type

Applicable For ATC blade fuse

Electrical Rated for currents up to 30A

Insulating Body PVC

Contacts Brass

Note Custom wire length and wire AWG 12#~20# are available.

Please specify wire gauge. Spring, terminal and wire are available on request