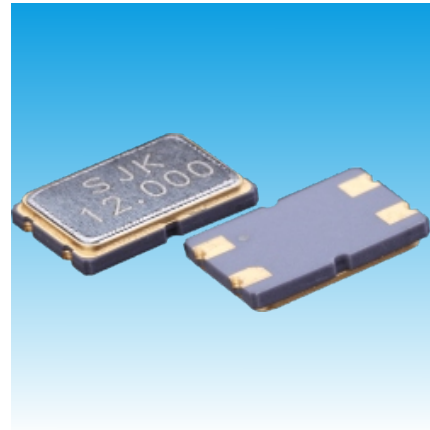


Features

- 7050 size SMD crystal units with a low profile of 1.0mm
- Wide frequency range from a comparatively 6MHz to 160MHz
- High precision and high reliability
- Automatic mounting and reflow soldering
- Applications: *Telecommunications, Server, MCU, PLC, M2M, etc.*
- RoHS Compliant & Pb Free



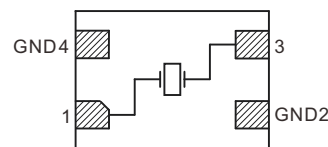
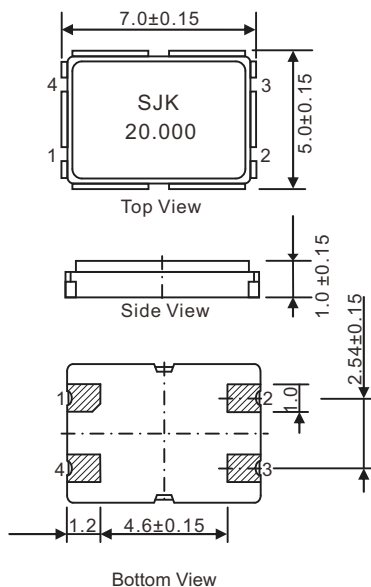
Standard Specifications

Type	6F Series SMD Crystal
Frequency Range	6~160 MHz
Frequency Tolerance (at 25°C)	±10ppm, ±20ppm
Frequency Stability (over Operating Temp.)	±10ppm, ±20ppm
Operating Temperature Range	-40~+85°C, or specify
Shunt Capacitance (C ₀)	5pF Max.
Drive Level	1~200μW (100μW Typ.)
Load Capacitance	16pF, 20pF, 30pF, or specify
Aging (at 25°C)	±3ppm /year Max.
Storage Temperature Range	-55~+125°C
Packing Unit	1000pcs./Reel

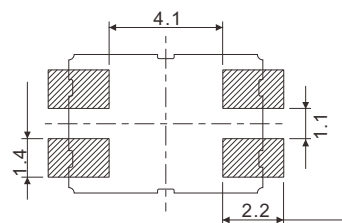
Equivalent Series Resistance

Fundamental		3rd Overtone	
6~10 MHz	100Ω Max.	30~80 MHz	90Ω Max.
10~12 MHz	60Ω Max.	80~100 MHz	90Ω Max.
12~30 MHz	50Ω Max.	100~160 MHz	100Ω Max.

Dimensions [mm]



Top View Crystal Connection



Top View Suggested Layout