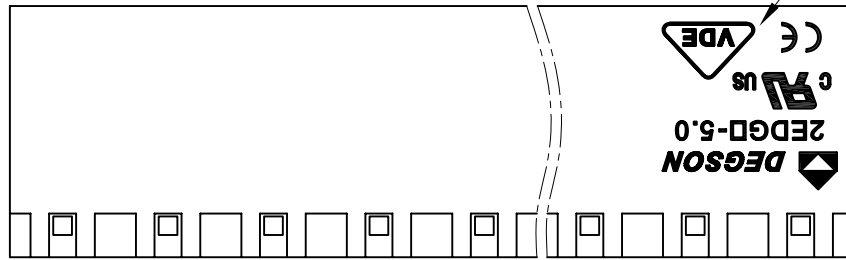
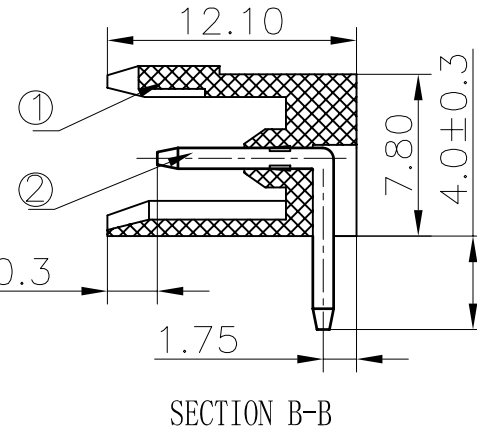
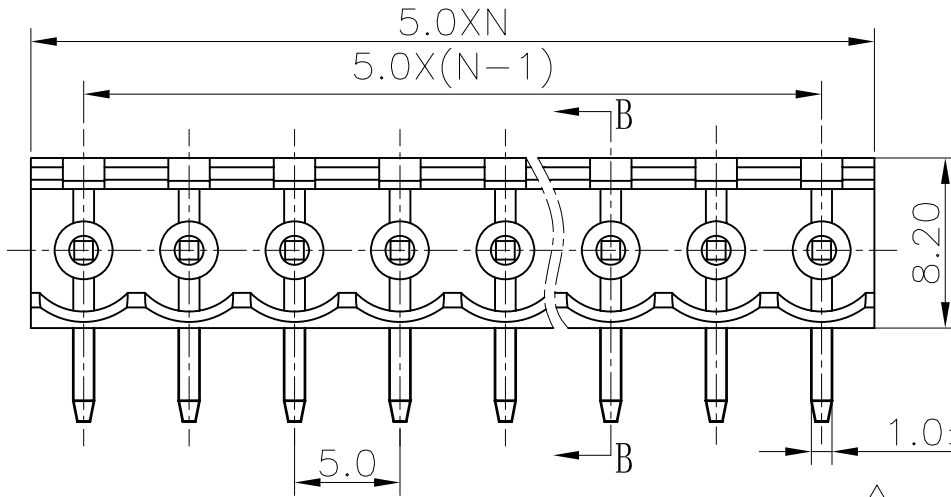


REVISION RECORD				
REV	ECO	DESCRIPTION	DRFT	DATE
△		4.5±0.1变更到4.0±0.2	DZJ	06/14/05
△		Drawing emend	csx	01/10/06
△		增加刻字	Yej	02/29/08
△		增加自动化方针	WLM	09/23/08
△		修改刻字位置	WLM	12/13/08
△	10-0329	增加标注尺寸	COCO	09/30/10



Notes:

1. Pitch:5.0mm, Poles:2-24p
2. Rated voltage/current:UL 300V/15A
VDE 320V/20A
3. Operation temperatures:-40° C~+105° C
4. Withstanding voltage: AC2000V/1Min
5. Insulation resistance:5000MΩ/DC1000V
6. Undimensioned Tolerances:

Pitch range in mm			Nominal dimension range in mm					
	over 6	over 10	over 30	over 60	over 100	over 150	—	
to 6	to 10	to 24	to 30	to 60	to 100	to 150	∩	
±0.10	±0.15	±0.25	±0.2	±0.3	±0.5	±0.7	±1.0 0.05/10	

2	2EDGR-Pin header	△1008B00120 (H)	XX	Brass	Automatic assembly
2	2EDGR(A)-Pin header	1008B00040 (H)	XX	Brass	Manual assembly
1	2EDGR-5.0-Housing	1018A0YXXA (H)	1	PA66	UL94V-0
ITEM	NAME OF PART	NO. OF PART	Q'TY	MATERIAL	NOTES
DETACHED LISTS	MM (INCH)	DFTO CSX	DATE 03/05/05	宁波高正电子有限公司 DEGSON ELECTRONICS CO., LTD NAME 2EDGR-5.0-XXP-1Y-00A (H) DRAWING NO. 2EDGR-5.0-E03 /PART NO. SIZE A3 REV T6 09/30/10	
	TOLERANCES EXCEPT AS NOTED	CHKD	DATE		
	MM	MFO	DATE		
	.0 ±	APPVL	DATE		
		MATERIAL :			
	ANGLES ± 1°	G.E :			
	THIRD ANGLE PROJECTION	FINISH :			
		SCALE : 1:1		DO NOT SCALE DRAWING	
		SHEET 1		OF 1	