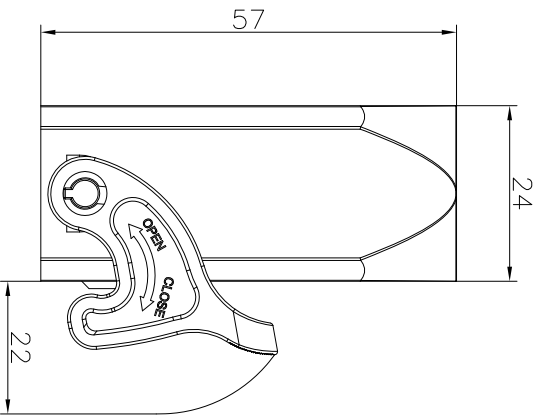
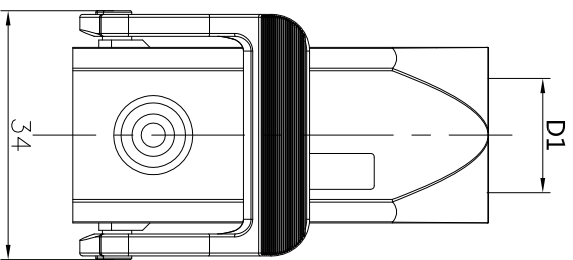
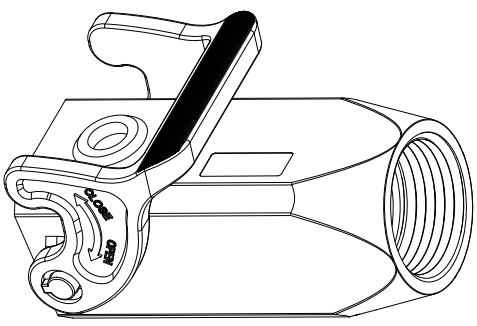



REVISION RECORD				
REV	ECN	DESCRIPTION	DRFT	DATE

TYPE	Thread(D1)	Selection
D3A.P-CCT-1L-PG11	PG11	
D3A.P-CCT-1L-M20	M20	



Housings Feature:

1. Material: Polycarbonate
2. Colour: Light grey (RAL7032)
3. Limiting temperatures: -40°C ~ +125°C
4. Flammability acc. to UL94: V0
5. Degree of protection acc. I0
6. Degree of protection acc. IP65

DETACHED LISTS			
PART NO.:	APPD: Huang JS 2016.08.08	NAME:	 NINGBO DEGSON ELECTRICAL CO., LTD 宁波高松电子有限公司
	CHKD: Yang SH 2016.08.08		
DRAFT: Zhou YZ 2016.08.08	TITLE: CUSTOMER DRAWING	REV	DO
THIRD ANGLE PROJECTION	DRAWING NO.:	SHEET	1/1
	SCALE	DO NOT SCALE DRAWING	1:1

A 8 7 6 5 4 3 2 1