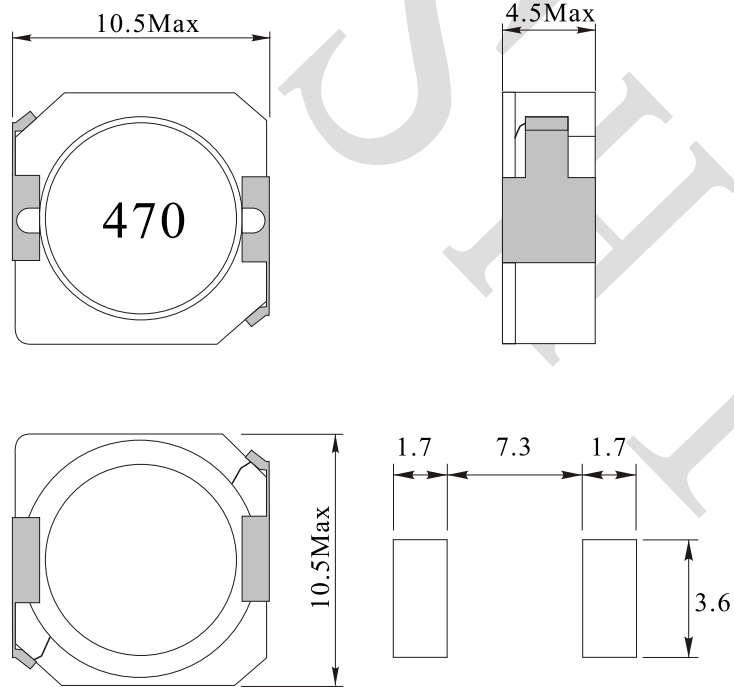
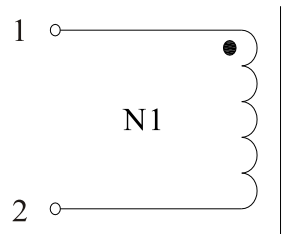


Rev.	Description	Date
A0	New release	2022.12.05

1. PHYSICAL CHARACTERISTICS (mm)



2. ELECTRONICAL SCHEMATIC



3. ELECTRONICAL SPECIFICATIONS

L: 47uH ± 30% @ 100KHz, 0.25V

DCR: 128mΩ Max

Isat: 1.95A Max (Inductance drop 35% Max)

Irms: 2.3A Max (Temp. rise 40°C Max)

Operating temperature: -40°C ~ +105°C

(Including self temp. rise 40°C Max)

Storage temperature: -40°C ~ +105°C

Test Instrument:

L: HP4284A

RDC: HM2540

Note:

1. Solderability: leads shall meet MIL-STD-202,

Method 208D for solderability.

2. Flammability: UL94V-0

3. ASTM oxygen index: >28%

NAME:	Power Inductors		
CUSTOMER P/N:	CDRH104RNP-470NC	DATE:	2022-12-05
SHINHOM P/N:	SDRH104-470N-1.95A	REV: A0	PAGE
DRAWN BY	CHECKED BY	APPROVE BY	



SHINHOM
SHAANXISHINHOM ENTERPRISE CO LTD

The Document property belong to SHINHOM & is not allowed to be duplicated without authorization