



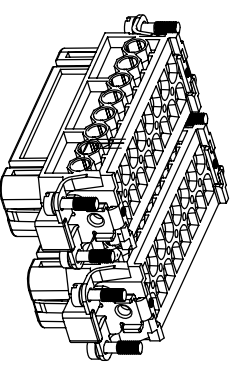
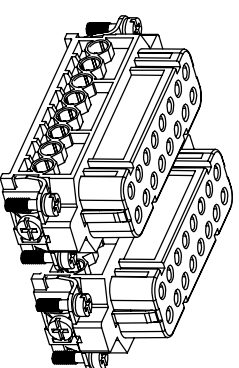
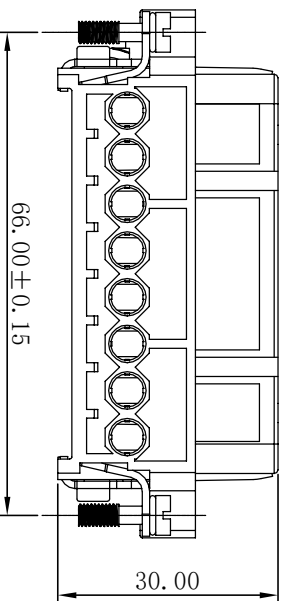
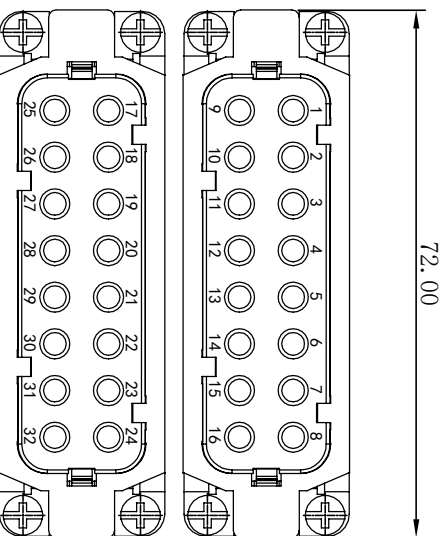
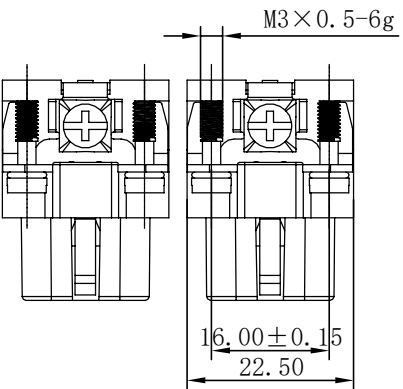
# 宁波速普电子有限公司

NINGBO SUPU ELECTRONICS.CO.,LTD

## 产品规格书

Product Specification

接插体/Inserts	
额定电流/Rated current	16A
额定电压/Rated voltage	250V
污染等级/Pollution degree	3
额定脉冲耐受电压/Rated surge voltage	4KV
绝缘电阻/Insulation resistance	$\geq 10^{10} \Omega$
材料/Material	PC
使用环境温度/Usage ambient temperature	-40°C - +125°C
阻燃等级/Flame retardant rating	V0
可插拔次数/Mechanical working life	$\geq 500$
UL/CSA额定电压/Rated voltage acc. to UL/CSA	600V
接插针/Contacts	
材料/Material	铜/Copper alloy
镀层/Coating	镀金/Au 镀银/Ag
接触电阻/Contact	$\leq 1m\Omega$
接线形式/Connection	螺钉连接/Screw connection
导线规格/Wire gauge	0.5-2.5mm <sup>2</sup> AWG-18-14
拧紧力矩/Tightening torque	0.5N·m
剥线长度/Stripping length	/



		Rev. 01	订货号 PART NUMBER
单位/Unit	mm		SA-032-F