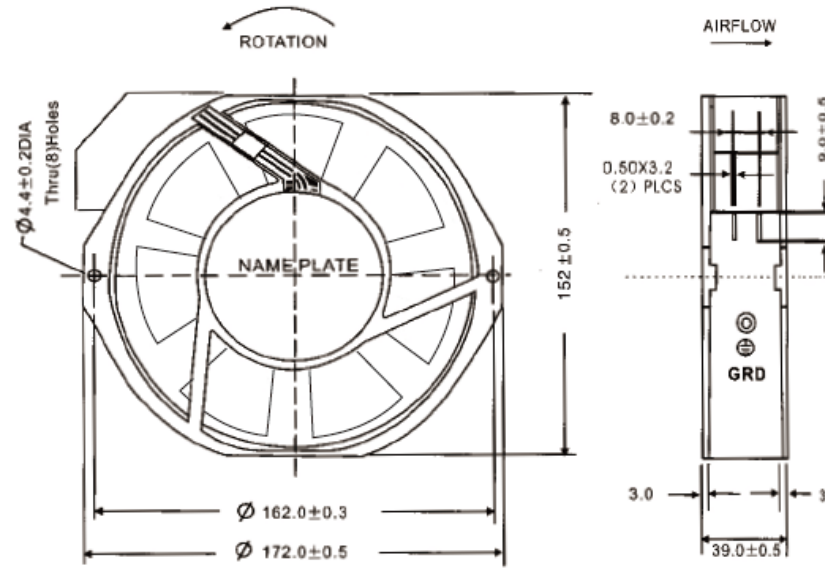




JIULONG MOTOR
AC/DC FANS COOLING FANS



尺寸 Size: 172mmx150mmx39mm

风量 Airflow: 330-375m³/hr
220-235CFM

重量 Weight: 680g

噪音 Noise: 56-60dBA

风叶 Impeller Material: PBT Thermoplastic Black,UL94-VO

外框 Frame: Aluminum Alloy

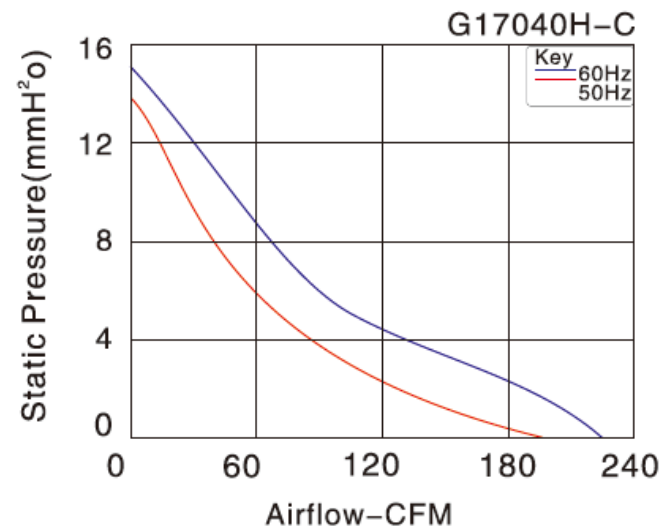
端子 Terminals: 0.5mm

引线 Lead Wire: AWG#22 UL 1569(Optional)

马达 Motor: Capacitor-Run Induction Motor

温度范围 Operating Temperature: -10℃~+65℃

Model (型号)	Bearing System (轴承型式)	Voltage VAC (电压)	Freq. Hz (频率)	Current A (电流)	Power W (功率)	Speed RPM (转速)	Noise dBA (噪音)	Air Flow (风量)		Phase (相数)	Capacitor (电容)
								M3/hr	CFM		
G17040HA,B-C-7P	Ball	100/125	50/60	0.31/0.3	29	2750/3000	56/60	330/375	220/235	1	3.3uf/250v
G17040HA,B-C-7P		200/240	50/60	0.18	33	2750/3000	56/60	330/375	220/235	1	1.0uf/500v
G17040HA,B-7P	Ball	380/420	50/60	0.1	33	2600/3000	56/60	330/375	220/235	3	/
G17040HA,B-C-7P		380/420	50/60	0.08	33	2600/3000	56/60	330/375	220/235	1	0.47uf/630v



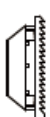
Fan Accessories



JL145D-FOR



JL400.300
JL904.200



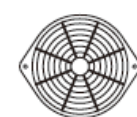
JL162H(B)-Y



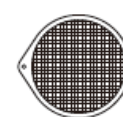
JL172H(B)



JL150H(B)-B



JL150-MF



JL9804.200
JL9805.200