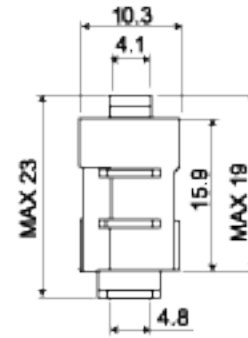
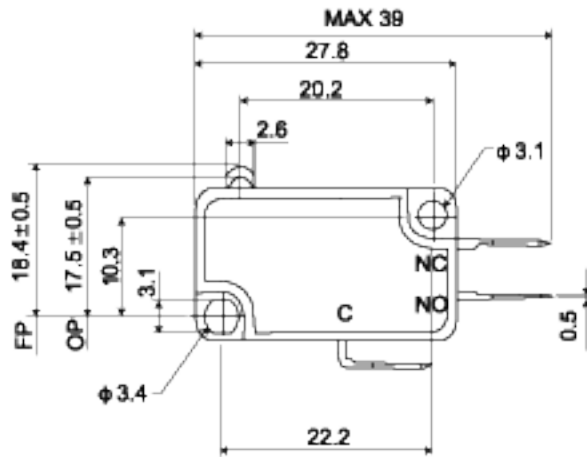


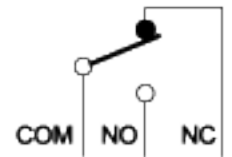
SPECIFICATION:

Rating : VM3 : 3A 250V AC VM5 : 5A 250V AC VMS10 : 10A 250V AC VMS15 : 15A 250V AC		Mechanical Life : 100,000 Cycles
Insulation Resistance : > 100MΩ 500V DC		Electrical Life : 10,000 Cycles
Withstand Voltage : 1,500V AC 1 minute		Ambient Temper. Used : -25°C ~ +80°C
Contact Resistance : ≤ 100mΩ		Ambient Humidity Used : < 85% RH
		Operating Force : On request

VM3-00N-110G
VM5-00N-110G

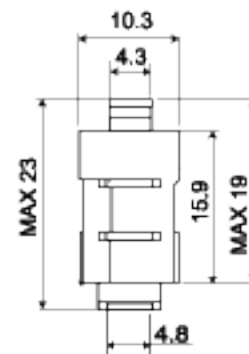
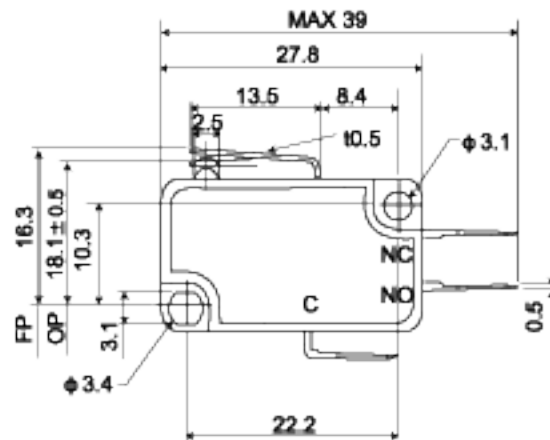


SCHEMATIC

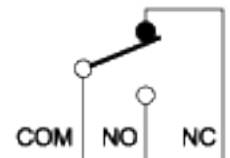


Operating Force (gf):
60,80,110,160,250g
(std.)

VM3-01N-160G
VM5-01N-160G

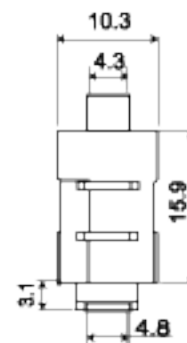
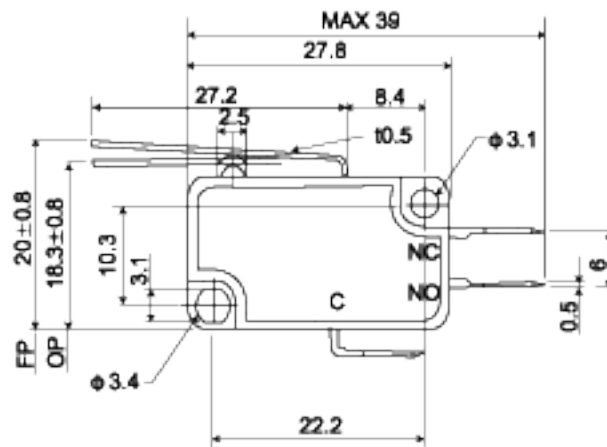


SCHEMATIC

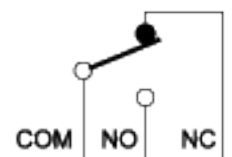


Operating Force (gf):
60,80,110,160,250g
(std.)

VM3-02N-70G
VM5-02N-70G

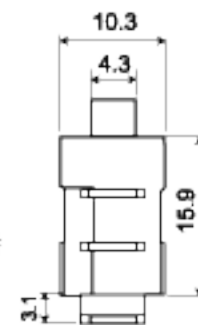
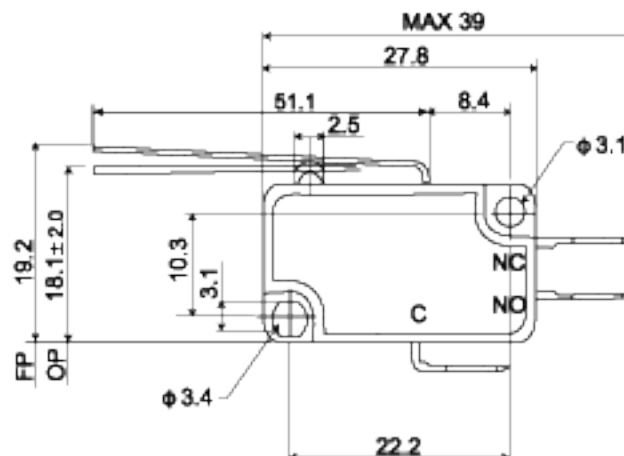


SCHEMATIC



Operating Force (gf):
25,32,40,70,110g
(std.)

VM3-03N-40G
VM5-03N-40G



SCHEMATIC



Operating Force (gf):
12,20,25,40,60g
(std.)