

BUZZER

Piezo Buzzer Series

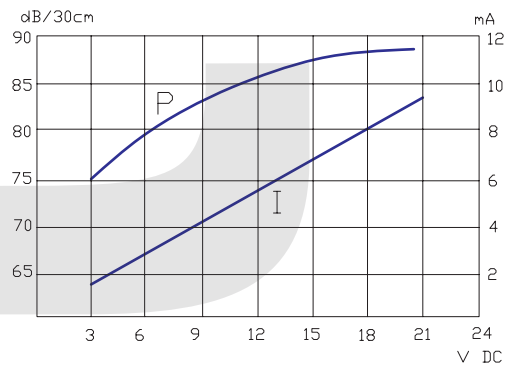
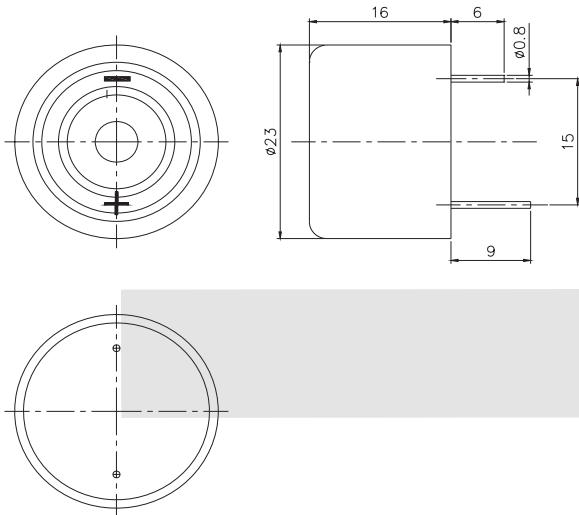
KLS3-PB-23*16 With Circuit Piezo Buzzer Series

SPECIFICATION

Rated Voltage:	12V _{DC}
Operating Voltage:	8-24V _{DC}
Max. Rated Current:	15mA at 12V _{DC}
Min. S.P.L. (@ 30cm):	88dB at 12V _{DC}
Resonant Frequency:	3.3 ± 0.5KHz
Tone Nature:	Continuous
Operating Temp:	-20 ~ +80°C
Weight:	5g



Dimensions (Unit:mm)



Order Code	Rated Voltage	Operating Voltage	Max. Rated Current	Min. S.P.L. (@30cm)	Resonant Frequency	Tone Nature	Operating Temp	Weight
KLS3-PB-23*16-A	3V _{DC}	8-24V _{DC}	25mA	80dB	3.4 ± 0.5KHz			
KLS3-PB-23*16-B	6V _{DC}	8-24V _{DC}	20mA	82dB	3.4 ± 0.5KHz			
KLS3-PB-23*16-C	9V _{DC}	8-24V _{DC}	15mA	88dB	3.3 ± 0.5KHz	Continuous	-20~+80°C	5g
KLS3-PB-23*16-C	12V _{DC}	8-24V _{DC}	15mA	88dB	3.3 ± 0.5KHz			
KLS3-PB-23*16-D	24V _{DC}	8-24V _{DC}	20mA	88dB	3.1 ± 0.5KHz			

ORDER INFORMATION

Product NO.: KLS3- PB - 23*16-A

Part Number _____ Order Code _____
Piezo Buzzer Series _____

BUZZER

Piezo Buzzer Series

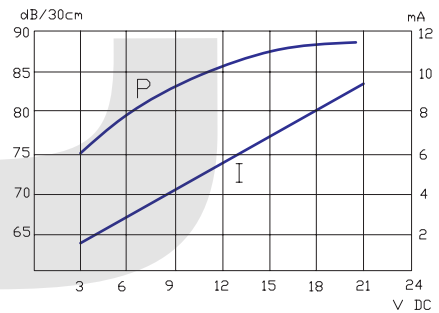
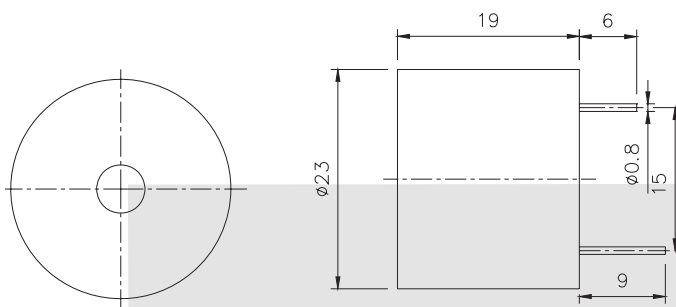
KLS3-PB-23*19 With Circuit Piezo Buzzer Series

SPECIFICATION

Rated Voltage:	12V _{DC}
Operating Voltage:	8-24V _{DC}
Max. Rated Current:	15mA at 12V _{DC}
Min. S.P.L. (@ 30cm):	88dB at 12V _{DC}
Resonant Frequency:	3.3 ± 0.5KHz
Tone Nature:	Continuous
Operating Temp:	-20 ~ +80°C
Weight:	5g



Dimensions (Unit:mm)



Order Code	Rated Voltage	Operating Voltage	Max. Rated Current	Min. S.P.L. (@30cm)	Resonant Frequency	Tone Nature	Operating Temp	Weight
KLS3-PB-23*19-A	3V _{DC}	8-24V _{DC}	25mA	80dB	3.4 ±0.5KHz			
KLS3-PB-23*19-B	6V _{DC}	8-24V _{DC}	20mA	82dB	3.4 ±0.5KHz			
KLS3-PB-23*19-C	9V _{DC}	8-24V _{DC}	15mA	88dB	3.3 ±0.5KHz	Continuous	-20~+80°C	5g
KLS3-PB-23*19-C	12V _{DC}	8-24V _{DC}	15mA	88dB	3.3 ±0.5KHz			
KLS3-PB-23*19-D	24V _{DC}	8-24V _{DC}	20mA	88dB	3.1 ±0.5KHz			

ORDER INFORMATION

Product NO.: KLS3- PB - 23*19-A

Part Number _____ Order Code _____
Piezo Buzzer Series _____