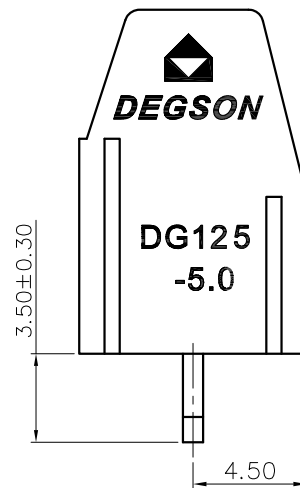
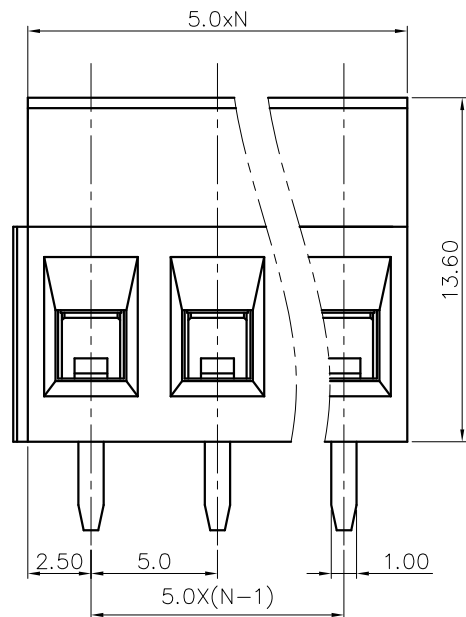
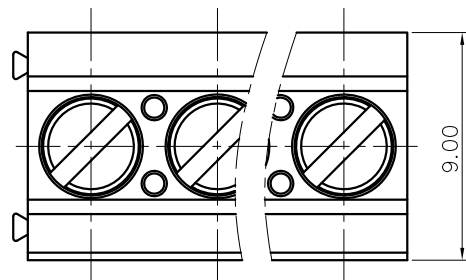


REVISION RECORD				
REV	ECN	DESCRIPTION	DRFT	DATE



NOTES1:

- UL Standard
- 1.Rated Voltage/Current : 300V / 16A
- 2.Torque Value : M2.5 , 3.54Lb.in
- 3.Wire Range : 26~12AWG

IEC Standard

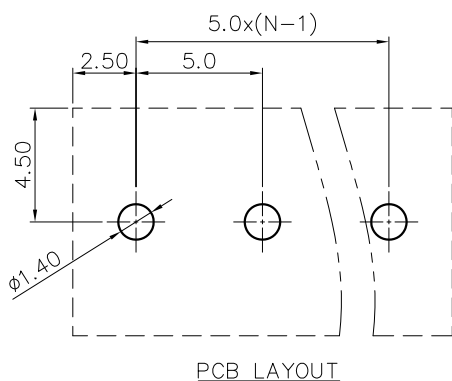
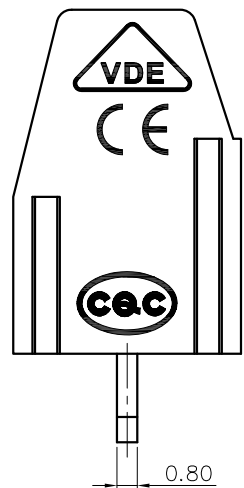
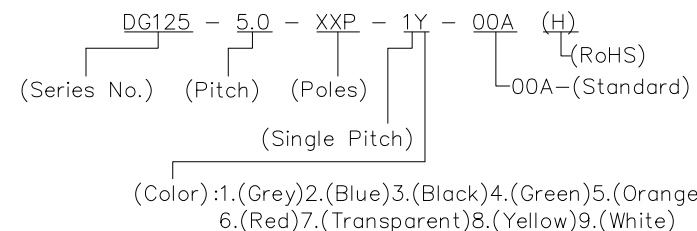
- 1.Rated Voltage/Current : 250V / 18A
- 2.Torque Value : M2.5 , 0.4N.m
- 3.Wire Range : 0.5~2.5mm<sup>2</sup>

NOTES2:

- 1.Dimension shall be interpreted per ASME Y14.5-2009
- 2.Pitch : 5.0mm, Poles : N=02~XXP
- 3.Stripping length : 6~7mm
- 4.Withstanding Voltage : AC2000V/1Min.
- 5.Operating temperature:-40°C~+105°C
- 6.Undimensioned Tolerances:

Pitch range in mm		Nominal dimension range in mm					0.1/10
TO	Over	Over	Over	Over	Over		
6	6 TO 10	10 TO 24	30 TO 60	60 TO 100	100 TO 150	150	
±0.15	±0.20	±0.30	±0.30	±0.50	±0.70	±1.00	±1.30
							±2'

7.RoHS Compliance



DETACHED LISTS	PART NO.:	NINGBO DEGSON ELECTRICAL CO., LTD			
	APPD:	NAME: DG125-5.0-XXP-1Y-00A(H)			
	CHKD:	TITLE: CUSTOMER DRAWING			
	DRFT:	DRAWING NO.:		REV	DO
THIRD ANGLE PROJECTION		DO NOT SCALE DRAWING		SHEET 1/1	
		MM (INCH)	SCALE	1:1	