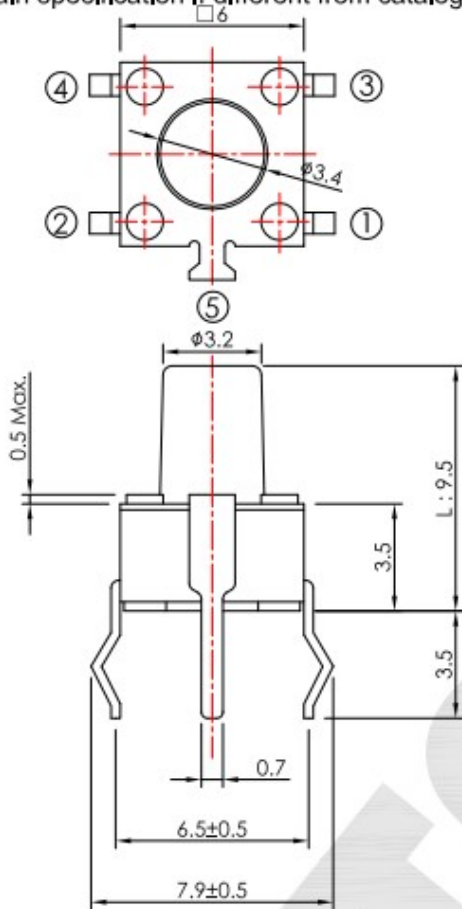
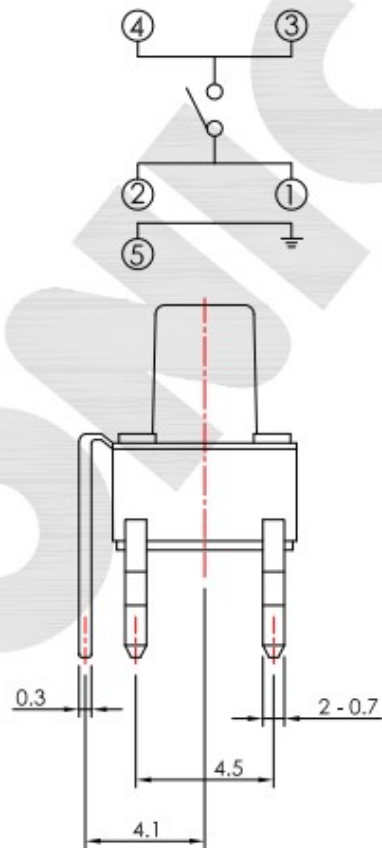


*開關產品未經SWITRONIC同意，請勿拆解，否則無法負品質及安全責任。
Please do not decompose the switch without any permission from SWITRONIC, otherwise the quality and safety responsibility could not be guaranteed.

*本圖面若與目錄之規格尺寸不符，以本圖面規格尺寸為主。
Below is our main specification if different from catalog.

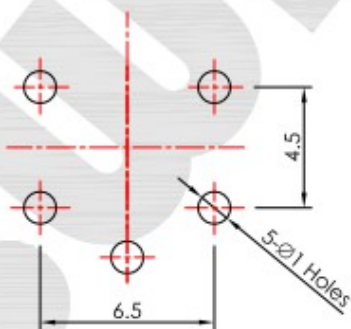


CIRCUIT DIAGRAM



RoHS compliant

P.C.B. LAYOUT



SPECIFICATION

- Rating:** 50mA 12V DC Max.
- Circuit:** SPST.
- Function:** OFF-(ON).
- Travel:** 0.25±0.15mm.
- Contact resistance:** 100mΩ Max.(initial)
- Operating force:** 130±50g.
- Minimum load:** 10mA 3.3V DC.(reference only)
- Life:** 100,000 Cycles Min.
- Soldering temperature:** 250°C Max. for 3 sec.
- Soldering time:** 1 time only.
- Note 1:** Unwashable, don't be immersed by epoxy and organic solvent.
- Note 2:** Please check the actual size, do not scale the drawing page.

06XXGHIM-XXXG-G

MODEL NO.	L	OPERATING FORCE
43	4.3	130,160, 250
70	7.0	
80	8.0	
85	8.5	
95	9.5	
97	9.7	



CV3.4	△		
CV3.3	無	改版	2015.04.10
CV3.2	無	改版	2007.09.05
CV3.1	無	圖框變更	2005.11.29
CV3.0	無	新增製	2004.03.10
版本 VER.	符號 SYMBOL	修改內容 ALTERATION	更新日期 DATE

產品 PRODUCT		Tact Switch		型號 MODEL NO.		0695GHIM-130G-G	
比例 SCALE	4 : 1	單位 UNIT	mm				
公差 TOLERANCE	±0.3mm						
製圖 DRAWN BY	核圖 CHECKED BY	主管 APPROVED BY					
Peter Kuo	Chuck Young	Margaret Lee					
				一綺電子企業股份有限公司 總公司：110 台北市信義路四段415號13樓之3 13F-3 NO. 415, SEC. 4, HSIN YI ROAD, TAIPEI, TAIWAN TEL : 886-2-27290229 (Rep.) FAX : 886-2-27582086 URL : http://www.switronic.com.tw E-MAIL : switches@ms36.hinet.net			