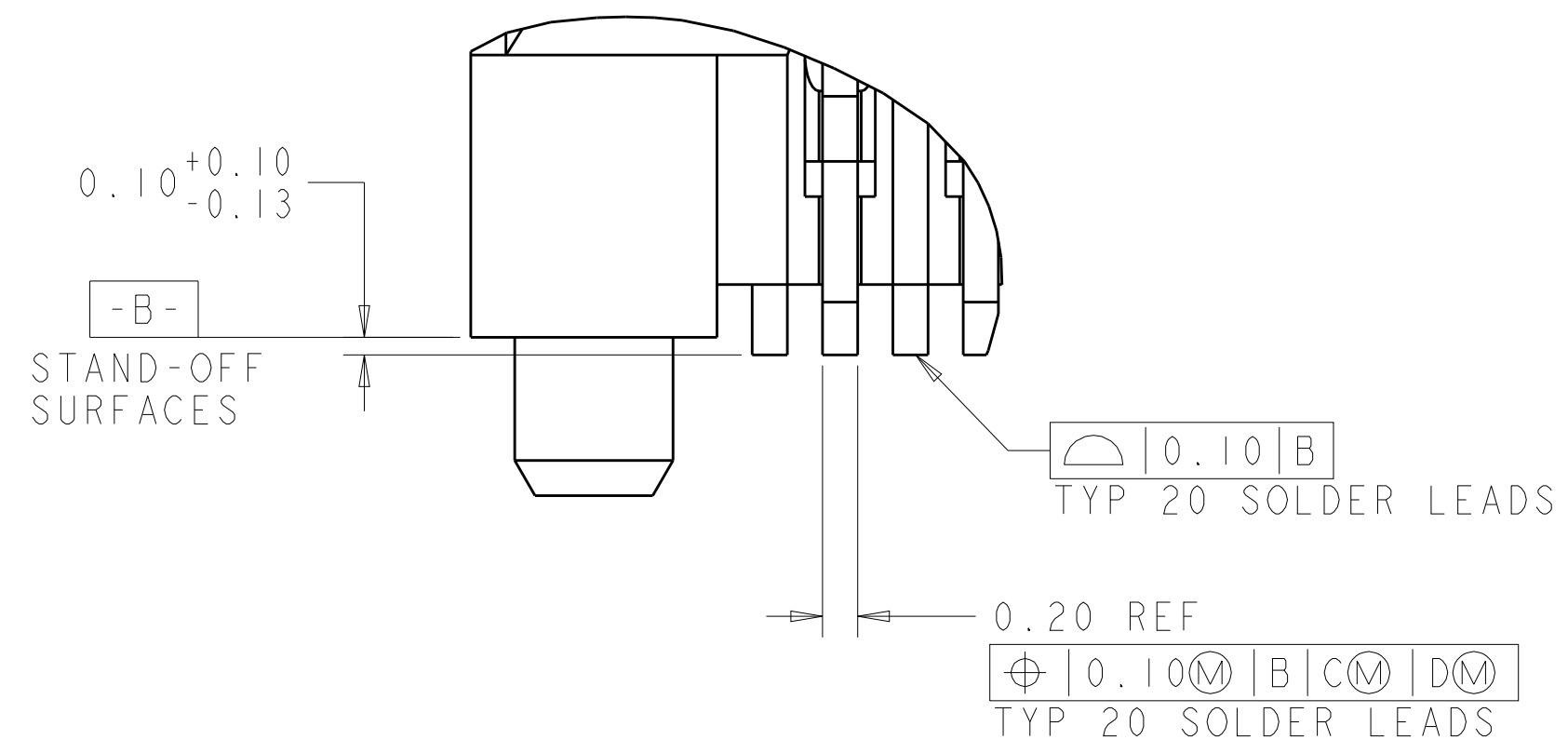
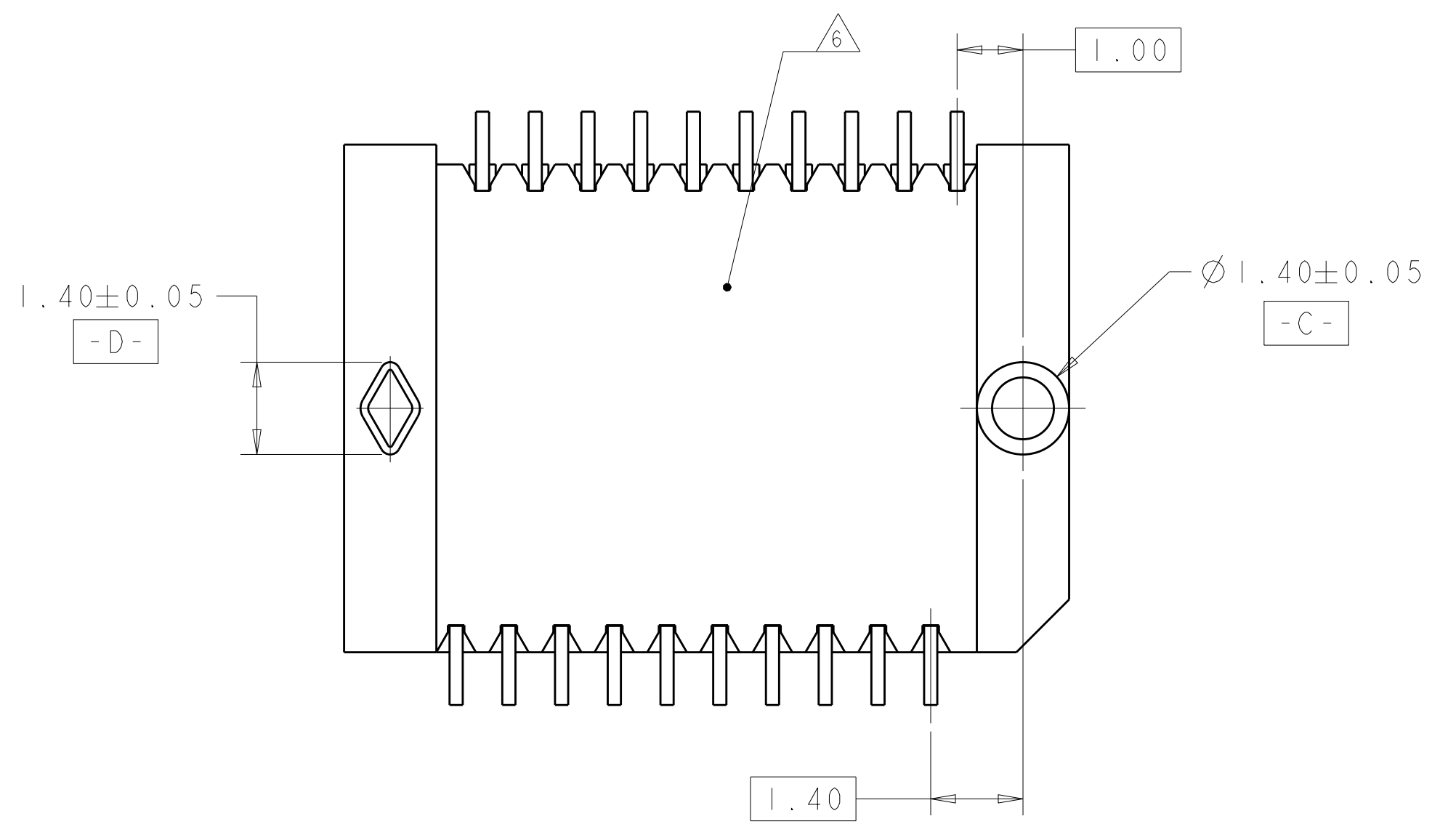
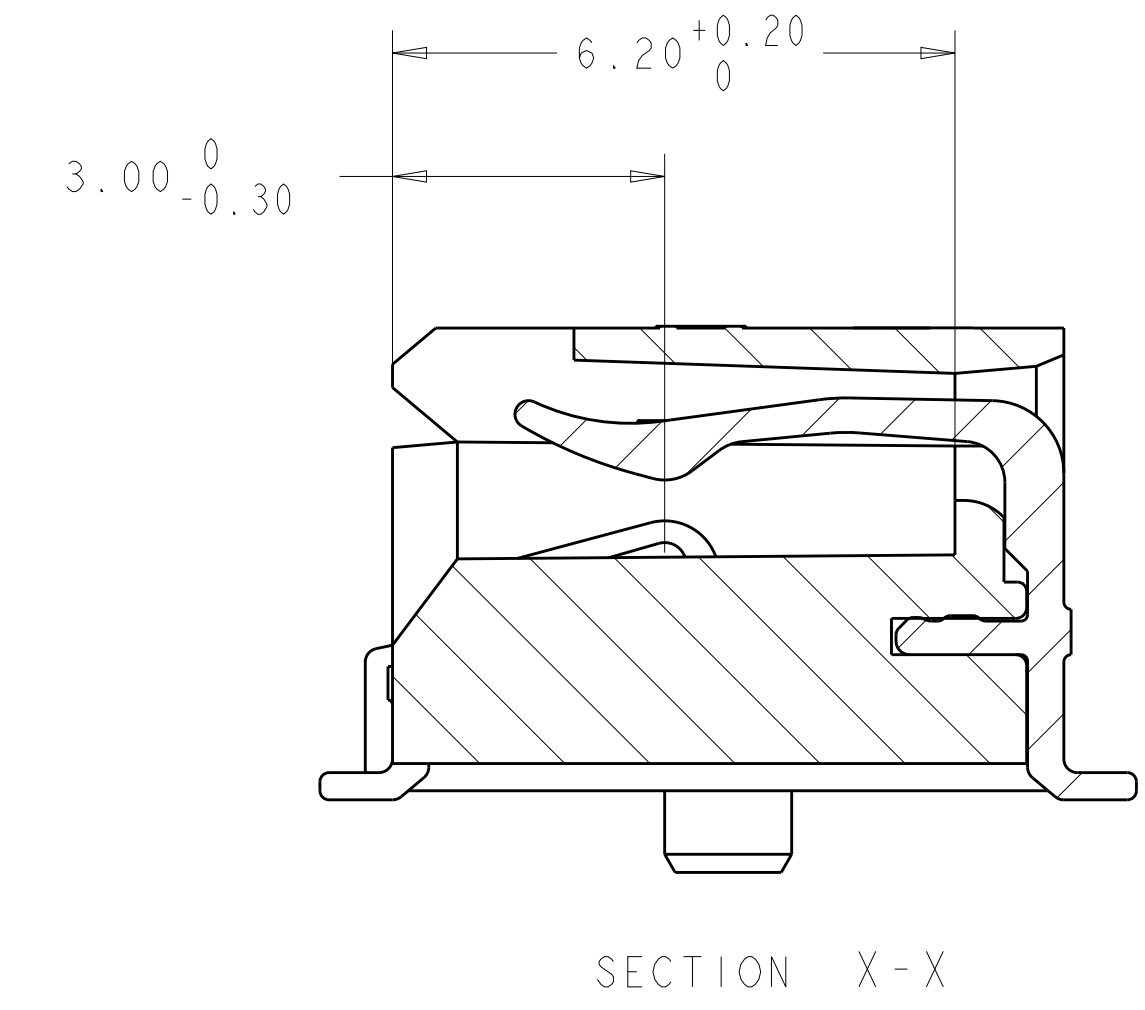
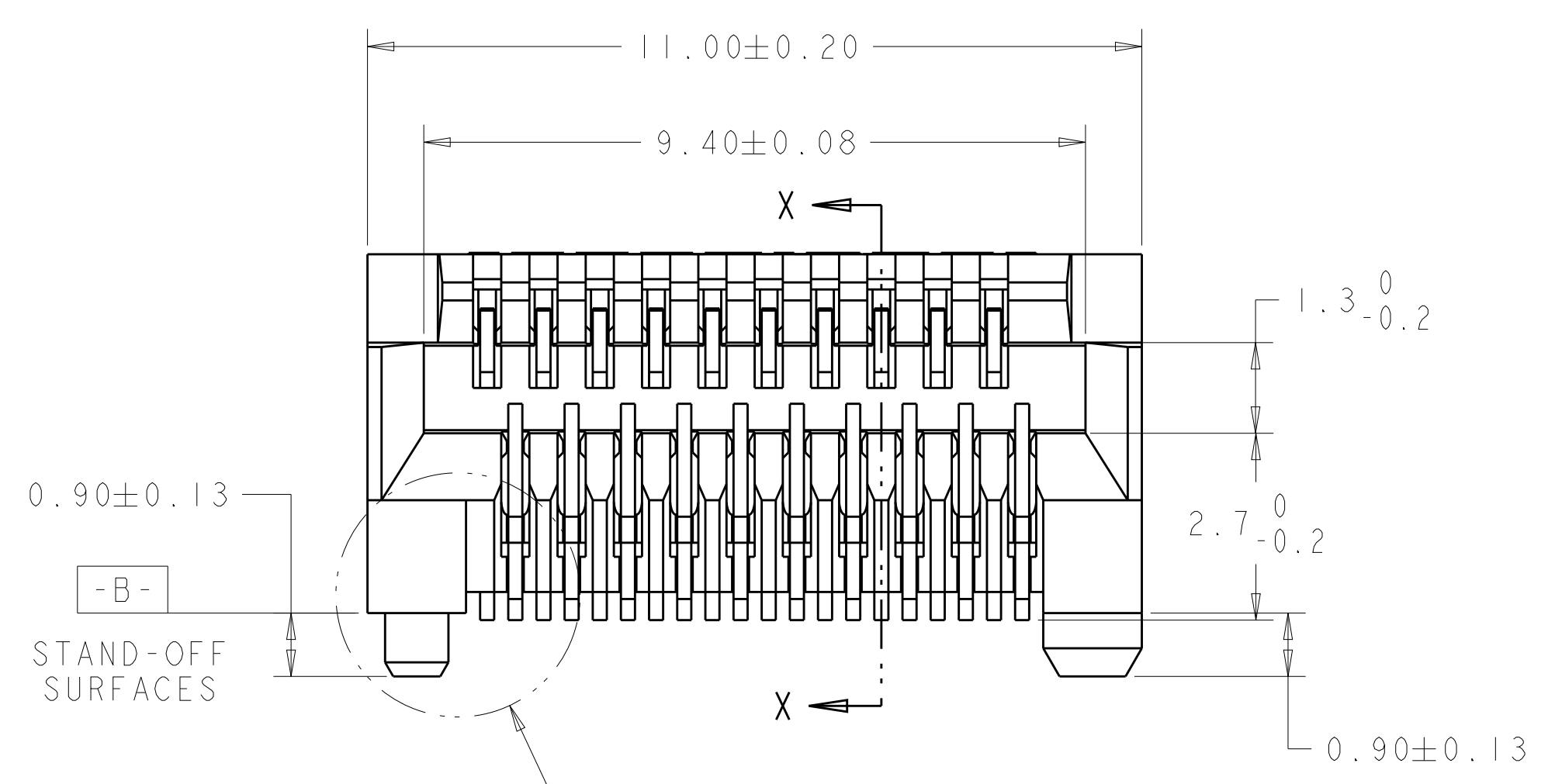
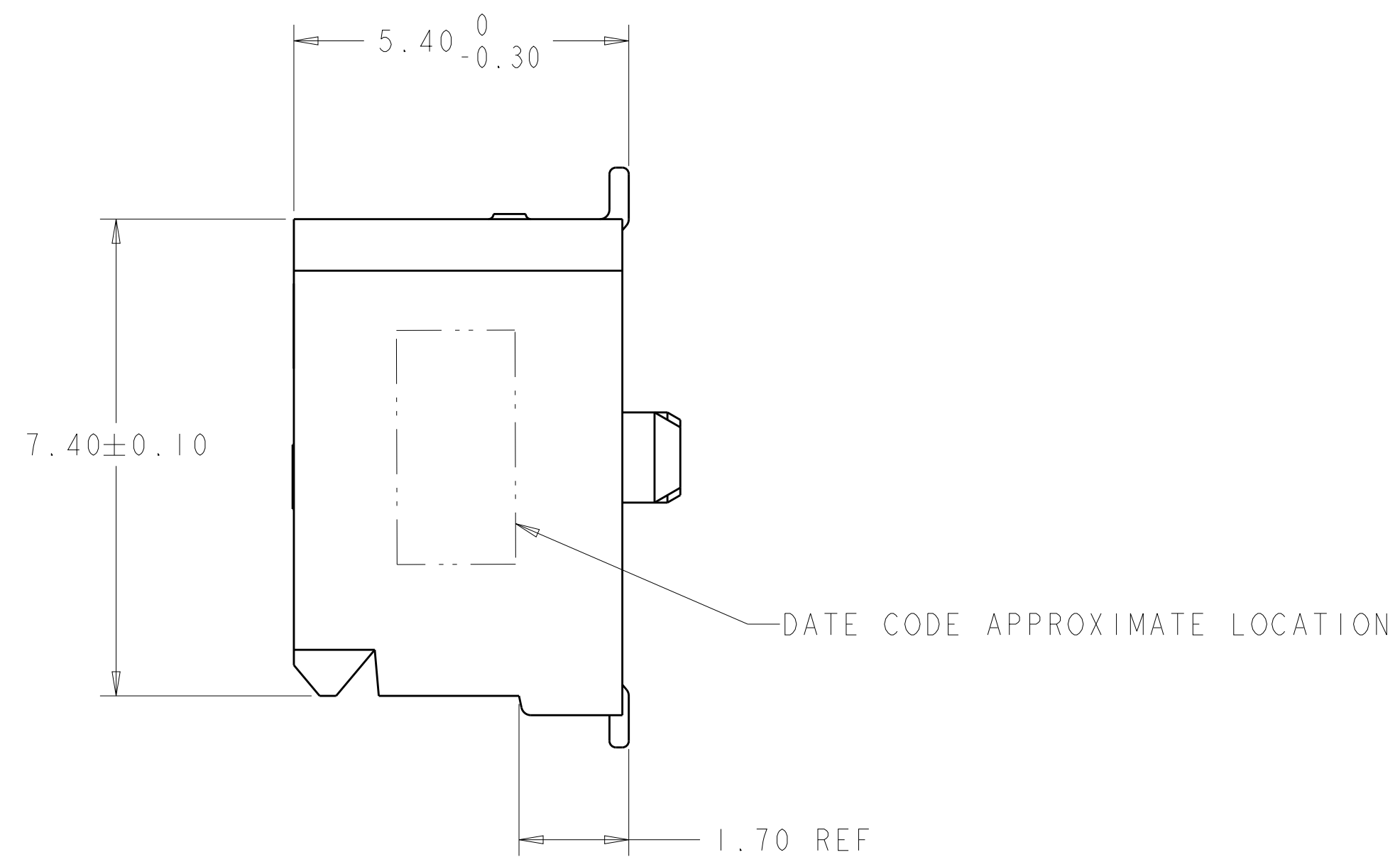
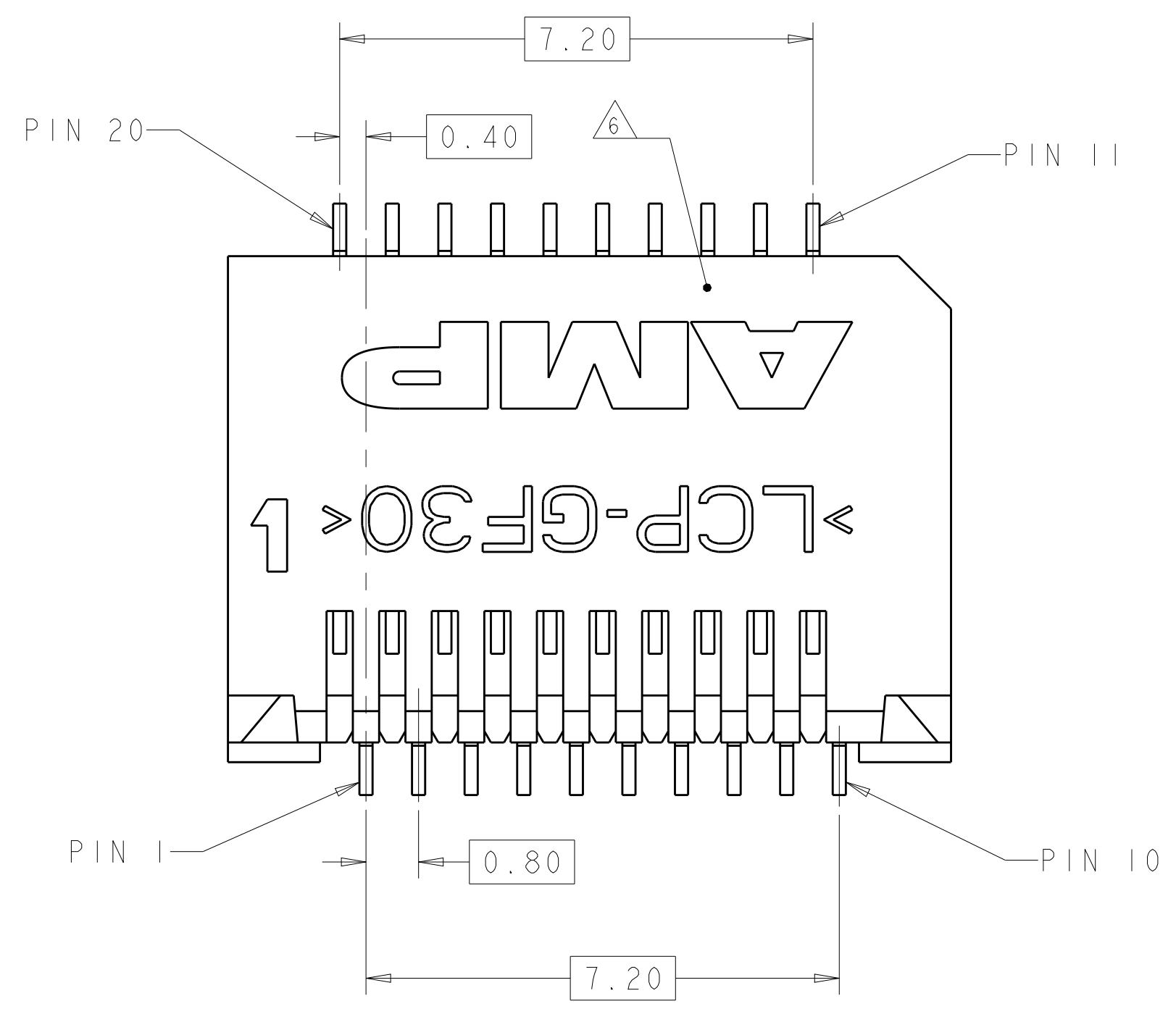
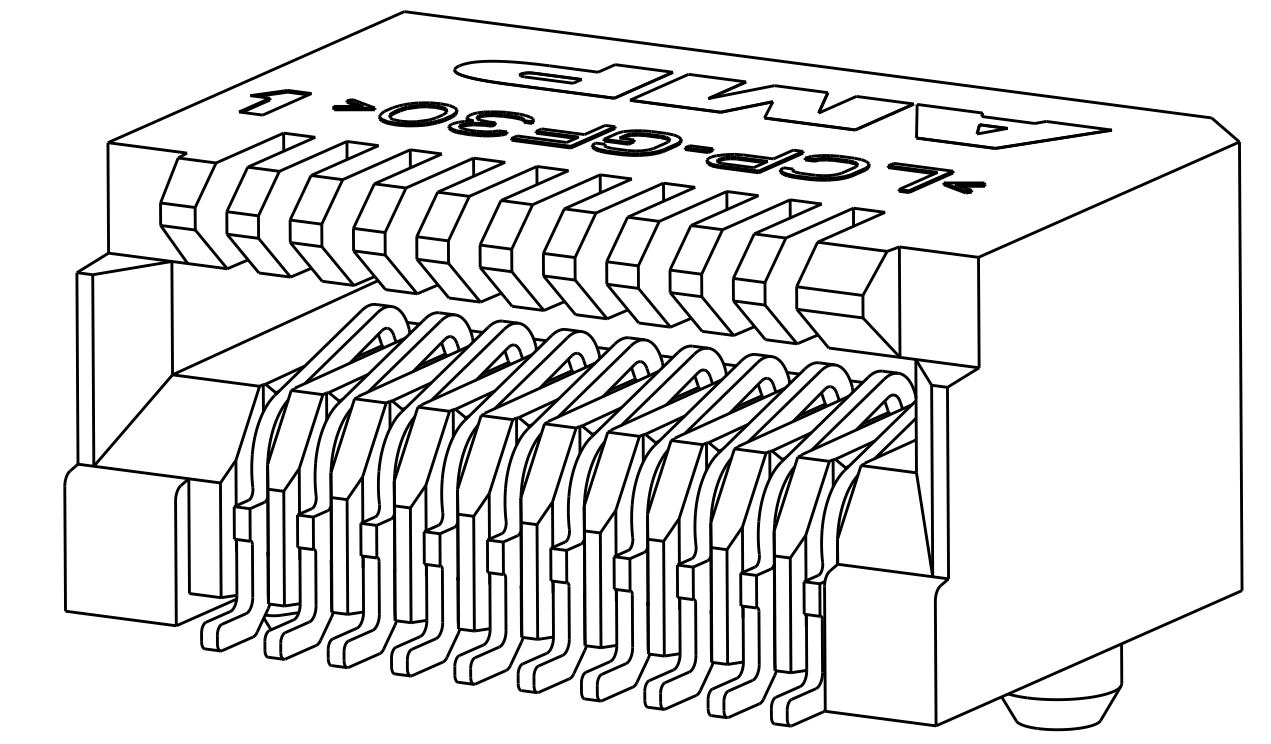


| LOC | DIST | REVISIONS | | | | | |
|-----|------|-----------|-----|--------------------------------------|-----------|-----|------|
| | | P | LTN | DESCRIPTION | DATE | DWN | APVD |
| ES | 00 | K | | REVISED PER ECO-12-015815 | 07NOV2012 | TX | AC |
| | | L | | REVISED PER ECO-15-018066 | 16DEC2015 | PP | SH |
| | | M | | UPDATE NICKEL PLATING AND ADD NOTE 8 | 20JUN2017 | JW | SH |



- 1. MATERIAL:
HOUSING: HIGH TEMPERATURE LCP, UL 94V-0 RATED, BLACK
CONTACTS: PHOSPHOR BRONZE.
- 2. FINISH:
CONTACTS: 0.00076 MIN GOLD ON CONTACT AREA, 0.00013 MIN GOLD ON SOLDER AREA. ALL OVER 0.00127 MIN NICKEL UNDERPLATE ON ENTIRE CONTACT. LUBRICANT ON GOLD PLATE CONTACT AREAS.
- 3. PACKAGED 480 PIECES PER REEL.
- 4. DATUMS AND BASIC DIMENSIONS TO BE ESTABLISHED BY CUSTOMER, SEE DRAWING 1367034 FOR LAYOUT WHEN USED WITH 1367034-1 BOTTOM CAGE (STANDARD SFP APPLICATION).
- 5. FINISH:
CONTACTS: 0.00038 MIN GOLD ON CONTACT AREA, 0.00013 MIN GOLD ON SOLDER AREA. ALL OVER 0.00127 MIN NICKEL UNDERPLATE ON ENTIRE CONTACT. LUBRICANT ON GOLD PLATE CONTACT AREAS.
- 6. PULL GROOVES PERMITTED ON THESE SURFACES AT MOLDING ENGINEERING DISCRETION
- 7. FOR ESD PROTECTION TAPE AND REEL PACKAGE ONLY. MATERIALS (COVER TAPE, EMBOSS TAPE, REEL, INNER LABEL ON REEL) USED WITH AN EPA AREA MUST PRIMARILY BE ELECTROSTATIC CONDUCTIVE OR ELECTROSTATIC DISSIPATIVE. NO MATERIAL SHOULD BE CHARGED UP TO MORE THAN 100 VOLTS.
- 8. TEMPERATURE RATING: -55°C TO 105°C



| | | |
|-----------|--------|-------------|
| NO | 2 | 1888247-5 |
| YES | 3 | 1888247-4 |
| YES | 2 | 1888247-3 |
| NO | 3 | 1888247-2 |
| NO | 2 | 1888247-1 |
| DATE CODE | FINISH | PART NUMBER |

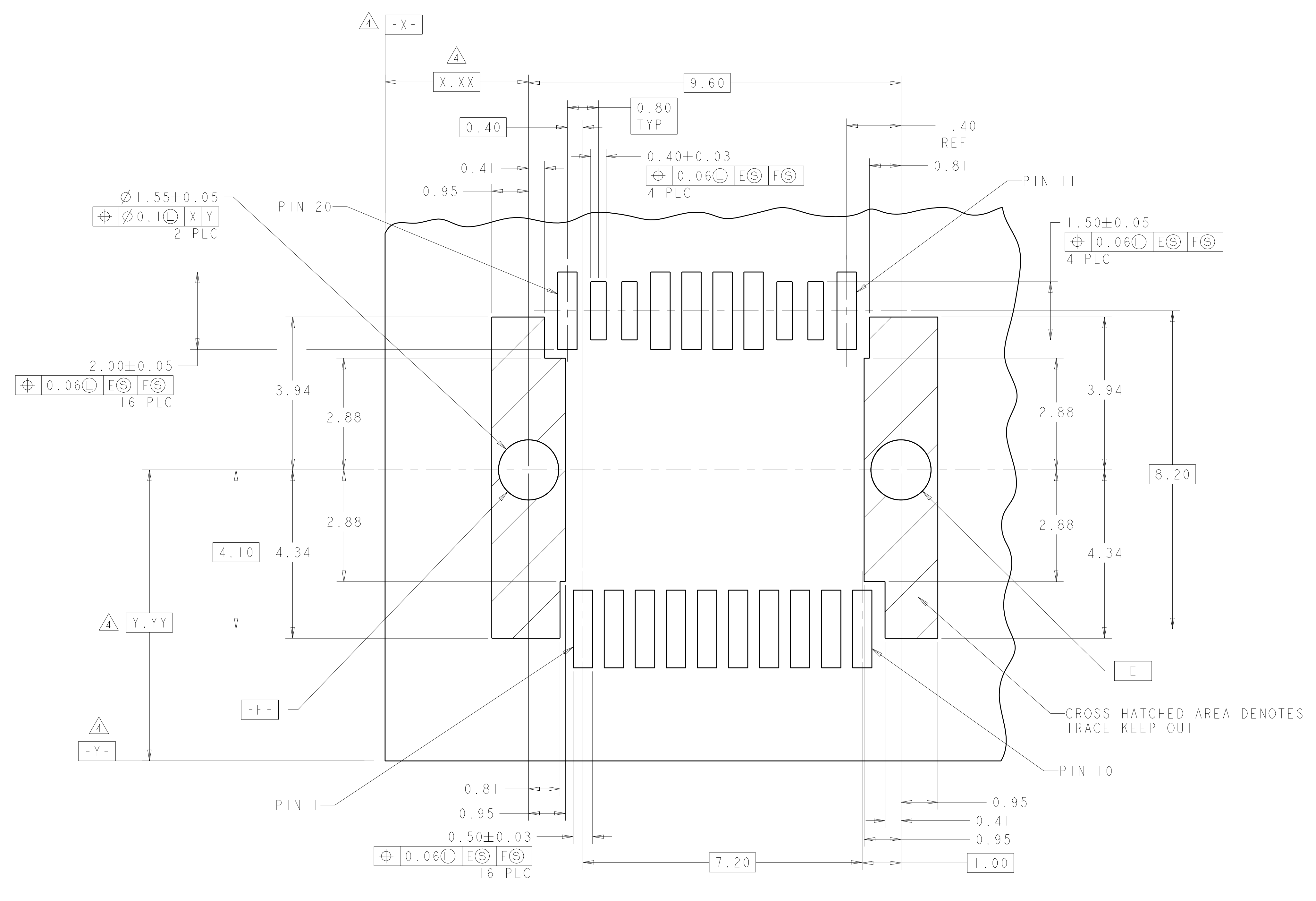
| DIMENSIONS: | | TOLERANCES UNLESS OTHERWISE SPECIFIED: | | MATERIAL: | | FINISH: | |
|-------------|---------|--|-------------|-----------|---------|----------|--------|
| mm | 0 PLC ± | 1 PLC ± | 2 PLC ±0.10 | 3 PLC ± | 4 PLC ± | ANGLES ± | FINISH |

| | | | |
|--|-------------------------|------------------|---|
| THIS DRAWING IS A CONTROLLED DOCUMENT. | DWN B. MCMASTER 14FEB06 | NAME | PT CONNECTOR ASSEMBLY, 20 POS, RIGHT ANGLE, 0.8mm PITCH, SFP+ |
| CHK S. SHUEY 14FEB06 | APVD S. SHUEY 14FEB06 | PRODUCT SPEC | 108-1949 |
| | | APPLICATION SPEC | 114-13017 |
| | | WEIGHT | |
| | | CUSTOMER DRAWING | |

| | | | | | | | |
|-------|------|-------|---|----|---|-----|---|
| SCALE | 12:1 | SHEET | 1 | OF | 3 | REV | M |
|-------|------|-------|---|----|---|-----|---|

DETAIL H
SCALE 25:1

| LOC | | DIST | | REVISIONS | | | |
|-----|----|------|-----|-------------|------|-----|------|
| ES | 00 | P | LTH | DESCRIPTION | DATE | DWN | APVD |
| | | - | | SEE SHEET 1 | | | |



OPTIONAL LAYOUT FOR IMPROVED SIGNAL INTEGRITY, MOUNTING SIDE
 SCALE 16:1

| | | | |
|--|-------------|-------------------------|---|
| THIS DRAWING IS A CONTROLLED DOCUMENT. | | DWN B. MCMASTER 14FEB06 | TE Connectivity |
| DIMENSIONS: mm | | CHK S. SHUEY 14FEB06 | |
| TOLERANCES UNLESS OTHERWISE SPECIFIED: | | APVD S. SHUEY 14FEB06 | NAME |
| 0 PLC ± | 1 PLC ±0.10 | PRODUCT SPEC | PT CONNECTOR ASSEMBLY, 20 POS, RIGHT ANGLE, 0.8mm PITCH, SFP+ |
| 2 PLC ± | 3 PLC ± | APPLICATION SPEC | |
| 4 PLC ± | ANGLES ± | 114-13017 | SIZE CAGE CODE DRAWING NO |
| MATERIAL | FINISH | WEIGHT | RESTRICTED TO |
| | | | A100779C=1888247 |
| CUSTOMER DRAWING | | SCALE 12:1 | SHEET 3 OF 3 REV M |